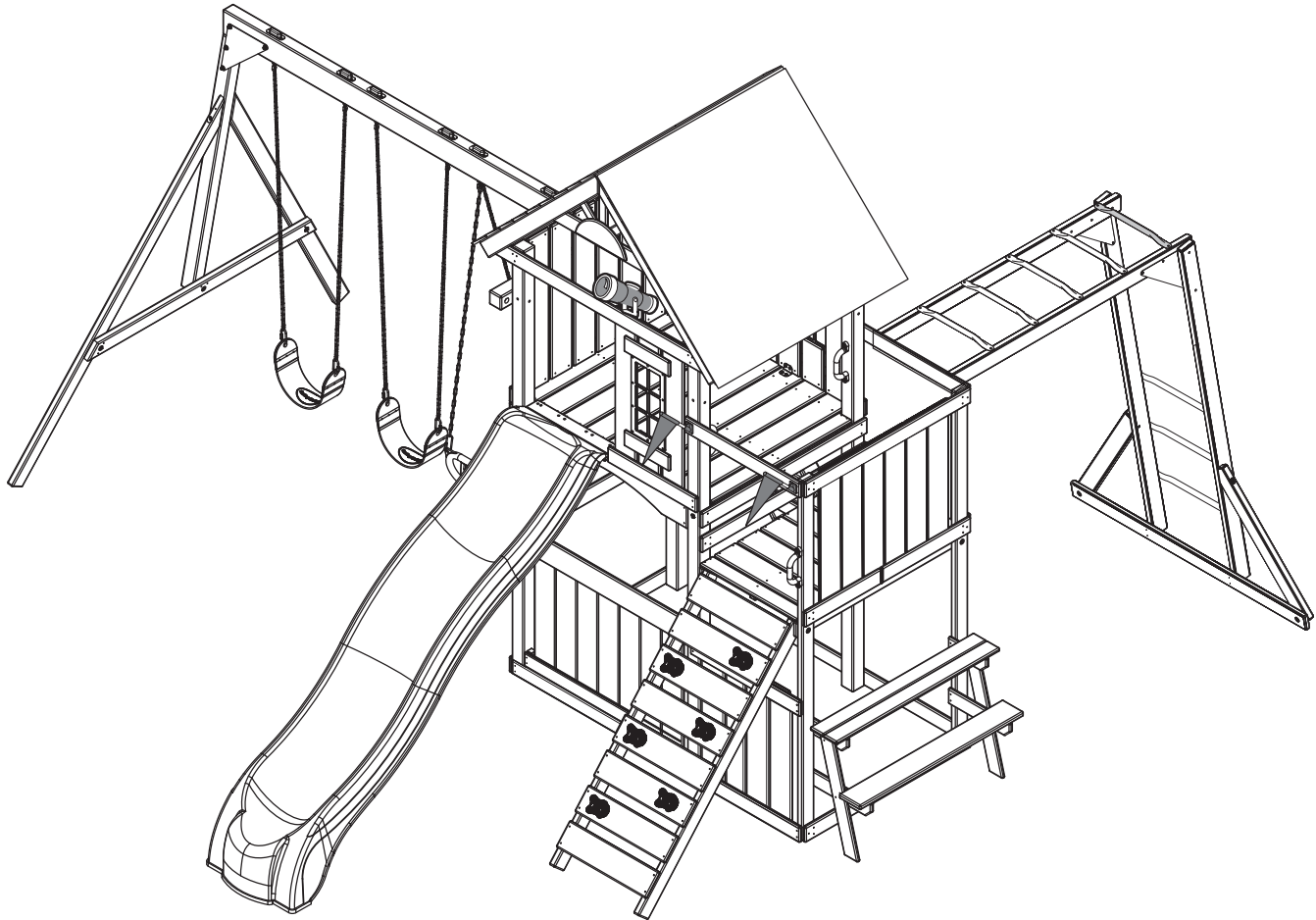


WE PUT Kids FIRST!



Safety
Sûreté
Seguridad



WARNING: Assembly by adult.
AVERTISSEMENT: L'assemblage doit être exécuté par un adulte.
ADVERTENCIA: El ensamblaje lo debe hacer un adulto.

**FOR PRIVATE BACKYARD USE ONLY
DO NOT USE IN PUBLIC SETTINGS!**

**SOLAMENTE PARA USO EN EL PATIO TRASERO PRIVADO
¡NO DEBE USARSE EN LUGARES PUBLICOS!**

**PRODUIT NON-CONÇU POUR UNE UTILISATION COMMERCIALE
UTILISEZ UNIQUEMENT EN RÉSIDENCES PRIVÉES!**

IMPORTANT!!

PLEASE READ BEFORE BEGINNING ASSEMBLY!!

Please make sure all lumber, hardware and accessory parts are accounted for.
If you are missing anything, please **DO NOT RETURN** to the store where purchased.
Please call our Customer Service Department at the number below.

ASSEMBLY INSTRUCTIONS

Swing-N-Slide • 166 Etowah Industrial Ct. • Canton, GA 30114
Email us at: playsupport@backyardproducts.com or call us at 1-800-882-0272



Safety Checklist for Swing-N-Slide Play Sets and Accessories

Observing the following statements and warnings reduces the likelihood of serious or fatal injury

- This playset has been designed for use by a maximum of thirteen (13) occupants at one time having a combined weight of 1,365 pounds.
- This playset is intended for use by children from (2) to (10) years of age.
- On-site adult supervision for children of all ages is recommended.
- Instruct children not to walk close to, in front of, behind, or between moving items.
- Instruct children not to twist swing chains or ropes or loop them over the top support bar since this may reduce the strength of the chain or rope.
- Instruct children to avoid swinging empty seats.
- Teach children to sit in the center of the swings with their full weight on the seats.
- Instruct children not to use the equipment in a manner other than intended.
- Instruct children not to get off equipment while it is in motion.
- Do not allow children to wear inappropriate items, such as but not limited to, loose fitting clothing, hood and neck drawstrings, scarves, cord-connected items, capes and ponchos. These items can cause death by strangulation.
- Instruct children not to climb when the equipment is wet. Slippery surfaces may cause a hazard.
- Verify that suspended climbing ropes, chain, or cable are secured at both ends.
- Verify that suspended climbing ropes, chain, or cable cannot be looped back on itself.
- Instruct children not to attach items to the playground equipment that are not specifically designed for use with the equipment, such as, but not limited to, jump ropes, clothesline, pet leashes, cables and chain as they may cause a strangulation hazard.
- Instruct children to remove their bike or other sports helmet before playing on the playground equipment.
- Dress children with well-fitting and full foot enclosing footwear. Examples of inappropriate footwear are clogs, flip flops, and sandals.
- Instruct children to not walk or run up slides.
- Instruct children to not pick up slides or ramps as this may cause damage or breakage.
- Never add extra length to chain or rope. The chains or ropes provided are the maximum length designed for the swinging element(s).
- Place the equipment on level ground not less than six (6) feet from any obstructions. Be sure to look overhead for any obstructions above the playset.
- Do not use the equipment until fully erected per this playset instruction manual, bolts tightened and the playset is anchored to the ground.

IMPORTANT!

This product is intended for single family home/residential use only and not intended for use in any public setting. Placement in any public setting constitutes a misuse of this product.

PLAYSET MAINTENANCE

Cosmetic defects that do not affect the structural integrity of the product, or natural defects of wood such as warping, splitting, checking, twisting, shrinkage, swelling or any other physical properties of wood that do not present a safety hazard, are not covered by our warranty.

To help minimize these natural defects we recommend applying a sealer or stain every two or three years, or more often as the climate dictates. Power washing, sanding or other preparatory methods should be used prior to sealing or staining.

Periodic maintenance is required to ensure safe enjoyment of your playset and accessories. Read and follow the Playset Checklist below to reduce the likelihood of serious or fatal injury. Use the checklists as a guide for proper playset care and maintenance.

PLAYSET CHECKLIST

At the beginning of each play season:

- Tighten all hardware.
- Lubricate all metallic moving parts per manufacturer's instructions.
- Check all protective coverings on bolts, pipes, edges, and corners. Replace if they are loose, cracked, or missing.
- Check all moving parts including swing seats, ropes, cables, and chains for wear, rust, or other deterioration. Replace as needed.
- Check metal parts for rust. If found, sand and repaint using a nonleaded-based paint meeting the requirements of 16 CFR 1303.
- Check all wood members for deterioration and splinters. Sand down splinters and replace deteriorating wood members.
- Reinstall any plastic parts, such as swing seats or any other items that were removed for the cold season.
- Rake and check depth of loose fill protective surfacing materials to prevent compaction and to maintain appropriate depth. Replace as necessary.

Twice a month during play season:

- Tighten all hardware.
- Check all protective coverings on bolts, pipes, edges, and corners. Replace if they are loose, cracked, or missing.
- Rake and check depth of loose fill protective surfacing materials to prevent compaction and to maintain appropriate depth. Replace as necessary.

Once a month during play season:

- Lubricate all metallic moving parts per manufacturer's instructions.
- Check all moving parts including swing seats, ropes, cables, and chains for wear, rust, or other deterioration. Replace as needed.

At the end of each play season or when the temperature drops below 10°F:

- Remove plastic swing seats, tents, sandbox cover, tire swing, slide and other items as specified by the manufacturer and take indoors or do not use.
- Rake and check depth of loose fill protective surfacing materials to prevent compaction and to maintain appropriate depth. Replace as necessary.
- Owner shall be responsible for maintaining the legibility of warning labels.

When you are ready to dispose of your playset, make sure that all metal, plastic and wood components are disposed of in accordance with local waste ordinances.

Buyer and/or owner should disassemble and dispose of the playground equipment in such a way that no unreasonable hazards will exist at the time the swing set is discarded. Do not burn your playset's preserved wood.

For further information on playground safety, the Consumer Product Safety Commission (CPSC) publishes the Outdoor Home Playground Safety Handbook which can be downloaded for free from www.cpsc.gov. An additional resource is the American Society of Testing and Materials (ASTM) Standard Consumer Safety Performance Specification for Home Playground Equipment (ASTM F1148) which can be purchased and downloaded from www.astm.org.

PLAYGROUND SURFACING MATERIALS

SECTION 4 OF THE CONSUMER PRODUCT SAFETY COMMISSION'S OUTDOOR HOME PLAYGROUND SAFETY HANDBOOK⁹

Select Protective Surfacing

One of the most important things you can do to reduce the likelihood of serious head injuries is to install shock-absorbing protective surfacing under and around your play equipment. The protective surfacing should be applied to a depth that is suitable for the equipment height in accordance with ASTM Specification F 1292. There are different types of surfacing to choose from; whichever product you select, follow these guidelines:

NOTE: Do not install home playground equipment over concrete, asphalt, or any other hard surface. A fall onto a hard surface can result in serious injury to the equipment user. Grass and dirt are not considered protective surfacing because wear and environmental factors can reduce their shock absorbing effectiveness. Carpeting and thin mats are generally not adequate protective surfacing. Ground level equipment - such as a sandbox, activity wall, playhouse or other equipment that has no elevated play surface - does not need any protective surfacing.

Maximum fall height for this playset is 85".

Loose-Fill Materials:

- ❑ Maintain a minimum depth of 9 inches of loose-fill materials such as wood mulch/chips, engineered wood fiber (EWF), or shredded/recycled rubber mulch for equipment up to 8 feet high; and 9 inches of sand or pea gravel for equipment up to 5 feet high. NOTE: An initial fill level of 12 inches will compress to about a 9-inch depth of surfacing over time. The surfacing will also compact, displace, and settle, and should be periodically refilled to maintain at least a 9-inch depth.
- ❑ Use a minimum of 6 inches of protective surfacing for play equipment less than 4 feet in height. If maintained properly, this should be adequate. (At depths less than 6 inches, the protective material is too easily displaced or compacted.)
- ❑ Use containment, such as digging out around the perimeter and/or lining the perimeter with landscape edging. Don't forget to account for water drainage.
- ❑ Check and maintain the depth of the loose-fill surfacing material. To maintain the right amount of loose-fill materials, mark the correct level on play equipment support posts. That way you can easily see when to replenish and/or redistribute the surfacing.
- ❑ **Do not** install loose fill surfacing over hard surfaces such as concrete or asphalt.

Poured-In-Place Surfaces or Pre-Manufactured Rubber Tiles:

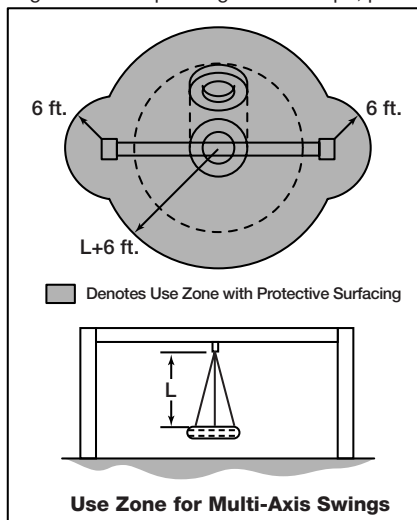
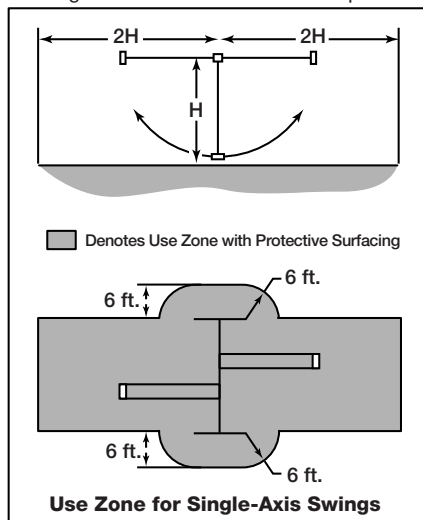
You may be interested in using surfacing other than loose-fill materials - like rubber tiles or poured-in-place surfaces.

- ❑ Installations of these surfaces generally require a professional and are not "do-it-yourself" projects.
- ❑ Review surface specifications before purchasing this type of surfacing. Ask the installer/manufacturer for a report showing that the product has been tested to the following safety standard: ASTM F 1292 Standard Specification for Impact Attenuation of Surfacing Materials within the Use Zone of Playground Equipment. This report should show the specific height for which the surface is intended to protect against serious head injury. This height should be equal to or greater than the fall height - vertical distance between a designated play surface (elevated surface for standing, sitting, or climbing) and the protective surfacing below - of your play equipment.
- ❑ Check the protective surfacing frequently for wear.

Placement

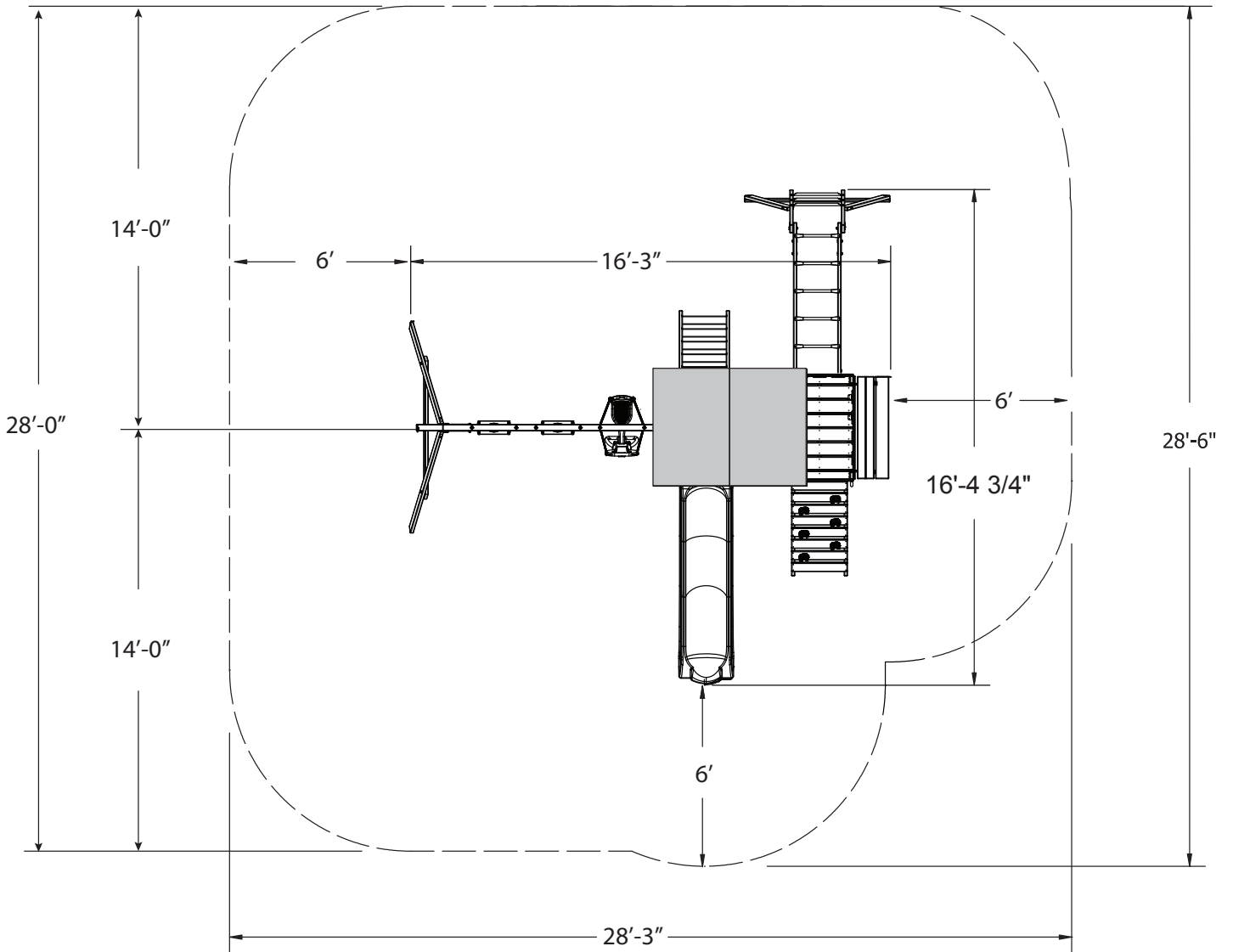
Proper placement and maintenance of protective surfacing is essential. Be sure to

- ❑ Extend surfacing at least 6 feet from the equipment in all directions.
- ❑ For to-fro swings, extend protective surfacing in front of and behind the swing to a distance equal to twice the height of the top bar from which the swing is suspended.
- ❑ For tire swings, extend surfacing in a circle whose radius is equal to the height of the suspending chain or rope, plus 6 feet in all directions.



⁹ This information has been extracted from the CPSC publications "Playground Surfacing-Technical Information Guide" and "Handbook for Public Playground Safety" Copies of these reports can be obtained by sending a postcard to the: Office of Public Affairs, U.S. Consumer Product Safety Commission, Washington, D.C., 20207 or call the toll-free hotline: 1-800-638-2772

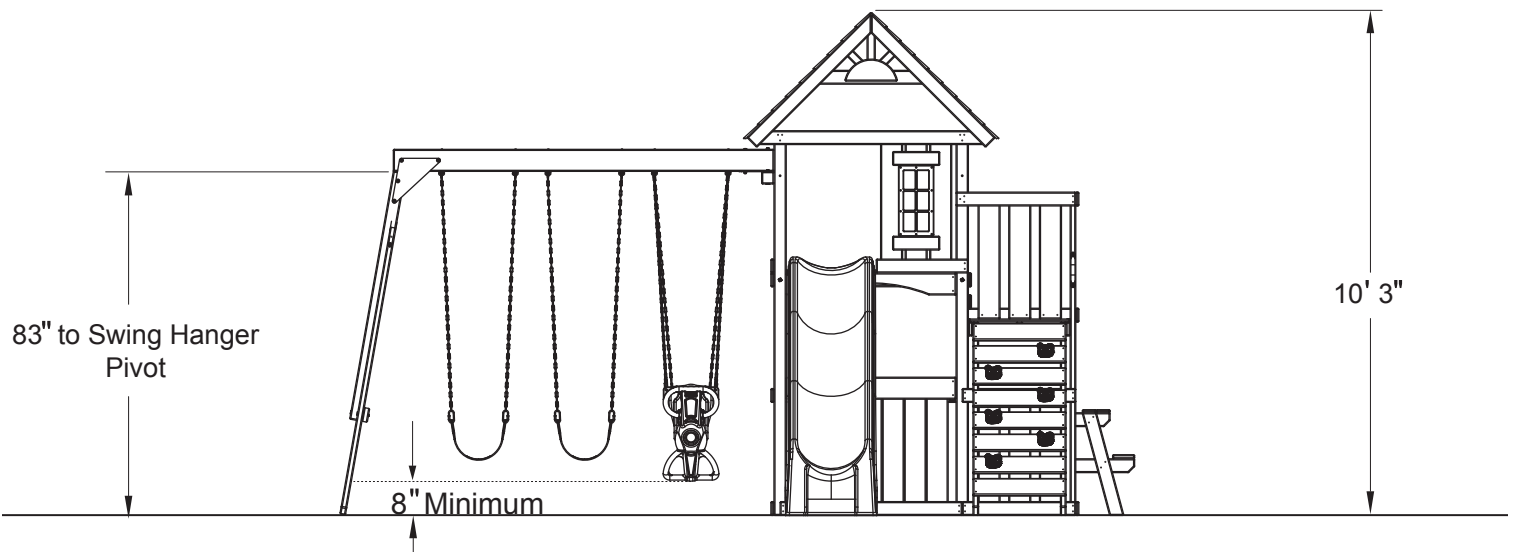
PLAYEST SAFETY ZONE



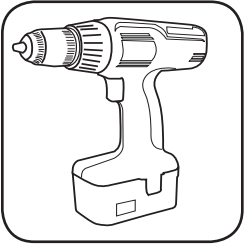
MINIMUM USE ZONE FOR PLAY EQUIPMENT SHALL EXTEND NO LESS THAN 72" FROM ALL SIDES OF THE PLAY STRUCTURE.

SWING USE ZONE EXTENDS NO LESS THAN 168".

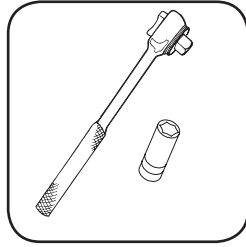
SWINGS MUST HAVE A MINIMUM CLEARANCE OF 8" ABOVE THE PROTECTIVE SURFACING.



TOOLS REQUIRED



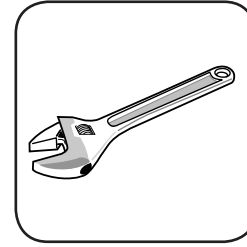
DRILL



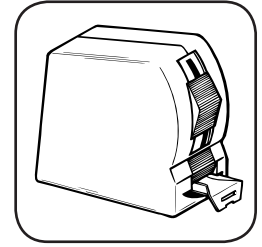
1/2" & 7/16" SOCKETS &
WRENCH



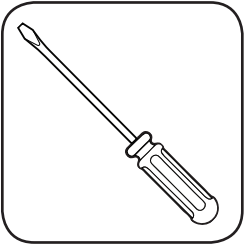
HAMMER



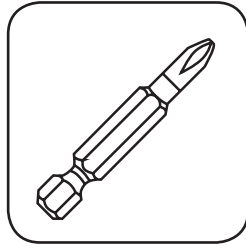
ADJUSTABLE
WRENCH



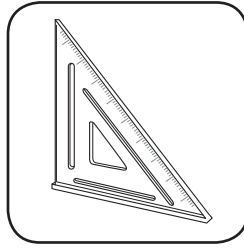
TAPE MEASURE



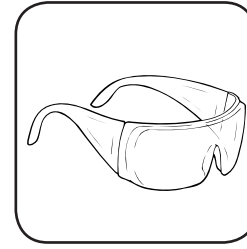
SCREWDRIVER



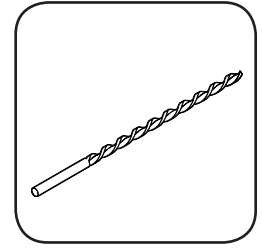
PHILLIPS BIT



CARPENTER
SQUARE



SAFETY GLASSES



1/8" DRILL BIT

HELPFUL ASSEMBLY INFORMATION

Your playset consists of several boxes or modules. It is important to ensure all lumber, accessories and hardware is accounted for. The following pages list the contents of each box. Use these pages to take an inventory of all parts.

REMEMBER- If you are missing anything, please **DO NOT RETURN** to the store where purchased. Contact our Customer Service Department at 1-800-882-0272 or email us at: playsupport@backyardproducts.com

For ease in inventorying your wooden playset parts all have been marked with a part number. Look for the part number typically located on the end of the part.

!! HELPFUL ASSEMBLY HINT !!

Keep parts from each box in its own area after taking your inventory. This will make it much easier to locate parts required for assembling each module on your playset.

Look for the helpful reminder indicating the box containing the parts used as you begin each module.

TOWER MODULE SA6051 / SA6022

BOARD LIST



(4) [PF 6164] 3" x 3" x 94"



(1) [PF 6020] 3" x 3" x 47-1/2" SWING BEAM SUPPORT



(1) [PF 6019] 2-11/16" x 5-3/8" x 89-1/2" SWING BEAM



(1) [PF 6018] 2-11/16" x 3" x 62" A-FRAME SUPPORT



(2) [PF 6017] 1-3/8" x 3-3/8" x 83" A-FRAME LEGS



(2) [PF 6388] 1-3/8" x 3-3/8" x 60" ROCKWALL SUPPORT



(1) [PF 6016] 1-3/8" x 3-3/8" x 58" A-FRAME SUPPORT



(1) [PF 6053] 1-3/8" x 3-3/8" x 43-1/2"



(1) [PF 6009] 1-3/8" x 3-3/8" x 17-1/4" SLIDE STAKE



(2) [PF 6149] 1-3/8" x 3-3/8" x 15-1/2" DECK SUPPORT



(2) [PF 6010] 1" x 3-3/8" x 47-1/2"



(1) [PF 6011] 1" x 3-3/8" x 47-1/2"



(4) [PF 6062] 1" x 3-3/8" x 42-1/2" ROOF A-FRAME



(7) [PF 6008] 3/4" x 5-3/8" x 42"



(2) [PF 6013] 5/8" x 5-3/8" x 22-3/4" ROCKWALL BOARD



(10) [PF 6000] 5/8" x 5-3/8" x 33-3/4"



(2) [PF 6060] 5/8" x 5-3/8" x 13" SUN



(4) [PF 6001] 5/8" x 5-3/8" x 9-1/4"



(6) [PF 6389] 5/8" x 5-3/8" x 22-3/4" ROCKWALL BOARD



(2) [PF 6063] 3/4" x 3-3/8" x 59-5/8" A-FRAME BASE



(3) [PF 6006] 3/4" x 3-3/8" x 44-1/2"



(2) [PF 6050] 3/4" x 3-3/8" x 43-1/2"



(2) [PF 6004] 3/4" x 3-3/8" x 42"



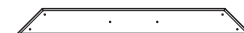
(5) [PF 6005] 3/4" x 3-3/8" x 42"



(2) [PF 6003] 3/4" x 3-3/8" x 35-7/8"



(2) [PF 6002] 3/4" x 3-3/8" x 22-1/2"



(2) [PF 6058] 5/8" x 3-3/8" x 30"



(4) [PF 6172] 5/8" x 3-3/8" x 11-1/2"



(2) [PF 6180] 5/8" x 3-3/8" x 10-1/2"



(2) [PF 6056] 5/8" x 2" x 10"



(4) [PF 6059] 5/8" x 2" x 7"



(1) [PF 6007] 3/4" x 3-3/8" x 47-1/2"

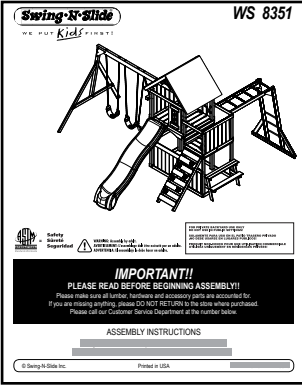
LOOSE PART



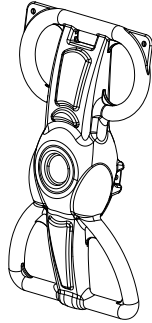
(1) [PF 6452]
1-3/8" x 3-3/8" x 22"

TOWER COMPONENTS

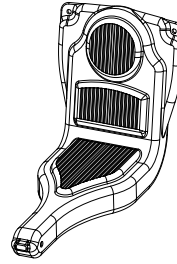
SA 6052



Plan (x1)



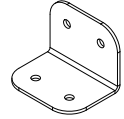
Wind Rider Handle (x1)



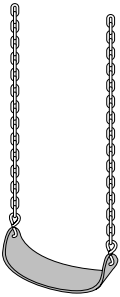
Wind Rider Seat (x1)



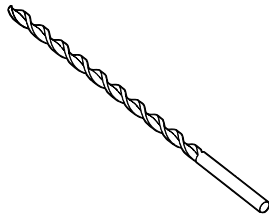
Quick Link (x4)



Panel Bracket - PF4969 (x3)



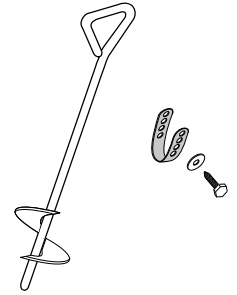
Swing - 04-0039 G/Y (x2)



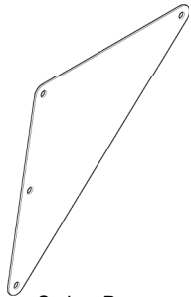
3/8" Drill Bit (x1)



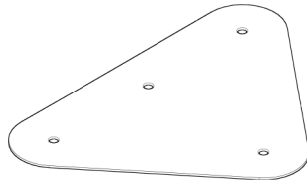
51" Chain (x4)



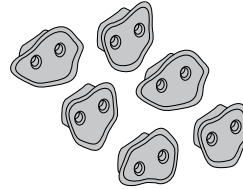
Anchor Stake - WS 4521 (x4)



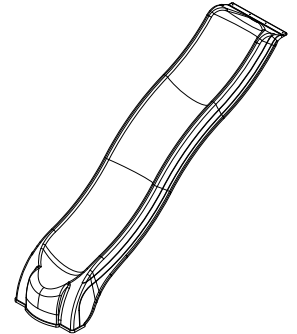
Swing Beam Bracket - PF 1408 (x2)



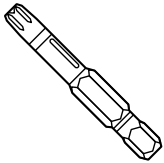
Beam Brace - PF 1409 (x1)



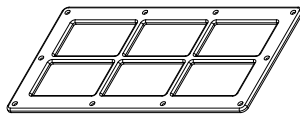
Climbing Rocks - SA 4543 (x1)



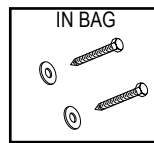
Alpine Slide (x1)



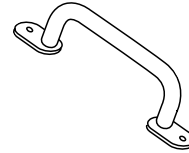
Star Bit (x1)



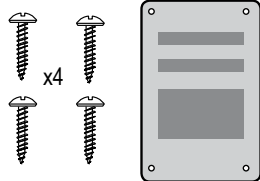
Window - PF 2990 (x2)



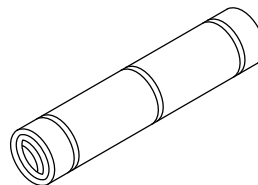
Safety Handle - 07-0005-G (x2)



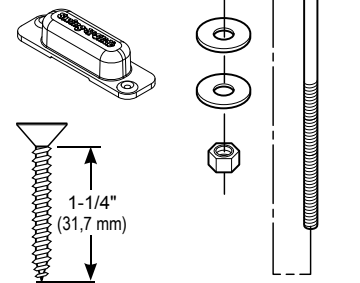
ID Tag - SA 1699 (x1)



Safety Warning Plate - SA 4294 (x1)

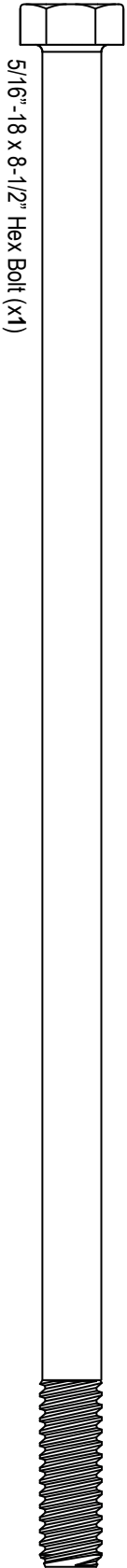


Tarp - SA 6002 (Box)

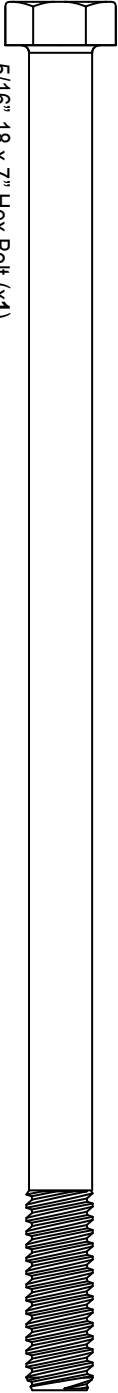


Swing Hangers WS 4456 (x3) Bags of (2)

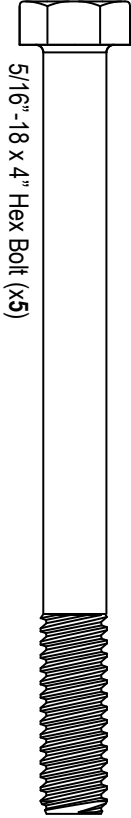
TOWER MODULE SA 6052 HARDWARE



5/16"-18 x 8-1/2" Hex Bolt (x1)



5/16"-18 x 7" Hex Bolt (x1)



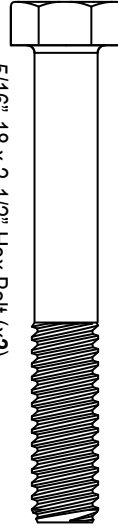
5/16"-18 x 4" Hex Bolt (x5)



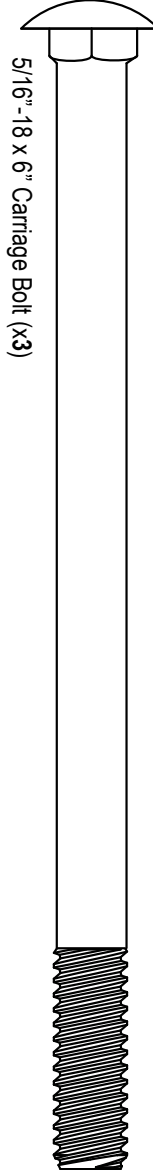
5/16"-18 x 3-1/2" Hex Bolt (x4)



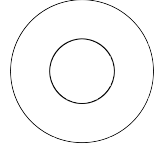
5/16"-18 x 3-1/4" Hex Bolt (x2)



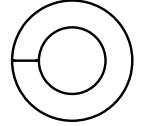
5/16"-18 x 2-1/2" Hex Bolt (x2)



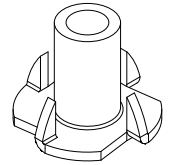
5/16"-18 x 6" Carriage Bolt (x3)



5/16" Washer (x24)



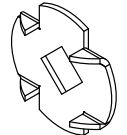
5/16" Loc Washer (x12)



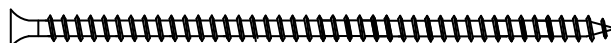
5/16-18 T-Nut (x12)
Small



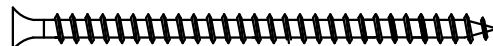
5/16" Loc Nut (x9)



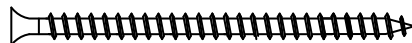
5/16" Wood Loc
Washer (x3)



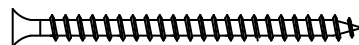
3" Deck Screw (x8)



2-1/2" Deck Screw (x125)



2" Deck Screw (x45)



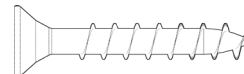
1-3/4" Deck Screw (x75)



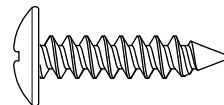
1-5/8" Deck Screw (x24)



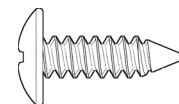
3/4" Flat Head Screw (x20)



1-3/16" (30 mm) Deck Screw (x114)




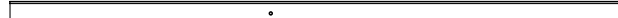







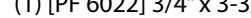
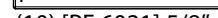
#14 1" Truss Screw (x3)



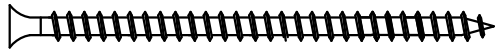
#12 x 3/4" Truss Screw (x13)

TERRACE MODULE SA 6031

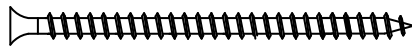
BOARD LIST

-  (1) [PF 6061] 1-1/2" x 1-1/2" x 40"
-  (2) [PF 6028] 1-3/8" x 3" x 79"
-  (2) [PF 6026] 1" x 3-3/8" x 42"
-  (3) [PF 6005] 3/4" x 3-3/8" x 42"
-  (4) [PF 6025] 3/4" x 3-3/8" x 29-1/4"
-  (3) [PF 6024] 3/4" x 3-3/8" x 27-3/4"
-  (2) [PF 6150] 3/4" x 3-3/8" x 24-3/4"
-  (1) [PF 6023] 3/4" x 3-3/8" x 22-1/2"
-  (1) [PF 6022] 3/4" x 3-3/8" x 19-1/2"
-  (10) [PF 6021] 5/8" x 5-3/8" x 30-3/4"
-  (6) [PF 6135] 3/4" x 5-3/8" x 26-1/4"

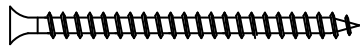
TERRACE HARDWARE (SA 6012)



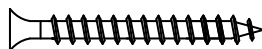
2-1/2" Deck Screw (x55)



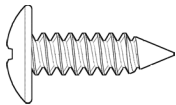
2" Deck Screw (x25)



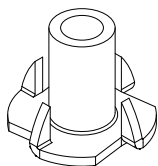
1-3/4" Deck Screw (x50)



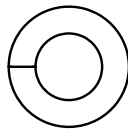
1-1/4" Deck Screw (x45)



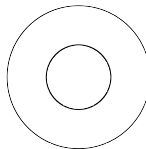
#12 x 3/4" Pan Screw (x9)



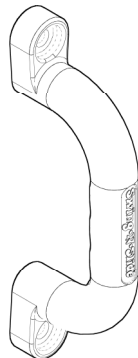
5/16-18 T-Nut (x4)
Small



5/16" Loc Washer (x4)



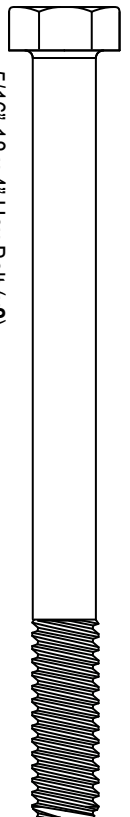
5/16" Washer (x4)



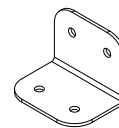
Play Handle (x2) - (Hardware Included)



5/16"-18 x 2" Hex Bolt (x2)








5/16"-18 x 4" Hex Bolt (x2)



Panel Bracket (x2)

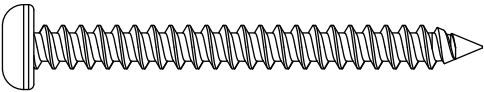
MONKEY BAR SA6036 BOARD LIST

-  (1) [PF 6041] 1-3/8" x 3-3/8" x 29-1/4"
-  (2) [PF 6042] 1-3/8" x 3-3/8" x 32"
-  (2) [PF 6043] 1-3/8" x 3-3/8" x 60"
-  (2) [PF 6045] 1-3/8" x 3-3/8" x 79-7/8"
-  (1) [PF 6044] 1" x 3-3/8" x 58"

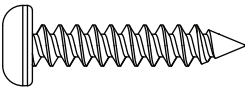
MONKEY BAR HARDWARE (SA 6017)



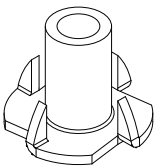
2-1/2" Deck Screw (x12)



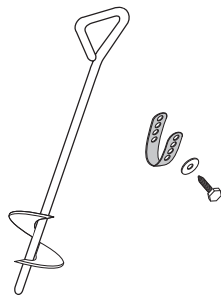
2-1/2" Pan Head Screw (x18)



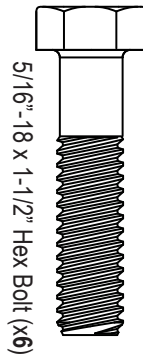
1-1/4" Pan Head Screw (x14)



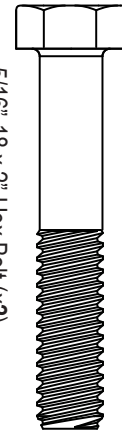
5/16-18 T-Nut (x13)
Small



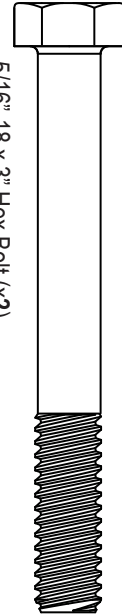
Anchor Stake - WS 4522 (x1)



5/16"-18 x 1-1/2" Hex Bolt (x6)



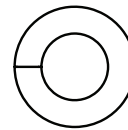
5/16"-18 x 2" Hex Bolt (x2)



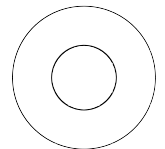
5/16"-18 x 3" Hex Bolt (x2)



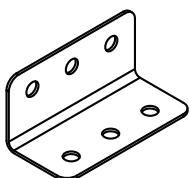
5/16"-18 x 3-1/2" Hex Bolt (x2)



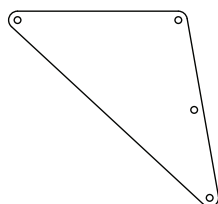
5/16" Loc Washer (x13)



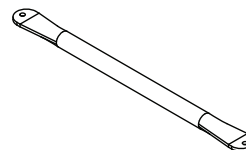
5/16" Washer (x13)



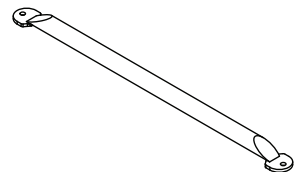
'L' Bracket (x2)
PF 2842



Triangle Bracket (x2)
PF 1408



Short Monkey Bar Rung (x5)
PF 4972



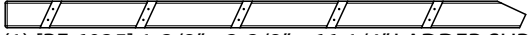
Monkey Bar Rung (x3)
PF 3297

LADDER MODULE SA 6032

BOARD LIST



(1) [PF 6034] 1-3/8" x 3-3/8" x 66-1/4" LADDER SUPPORT-L



(1) [PF 6035] 1-3/8" x 3-3/8" x 66-1/4" LADDER SUPPORT-R



(1) [PF 6029] 5/8" x 3-3/8" x 20-1/2"



(5) [PF 6032] 1" x 3-3/8" x 18-1/2"

PICNIC TABLE MODULE SA 6037

BOARD LIST



(1) [PF 6040] 1" x 5-3/8" x 41-1/2" BENCH



(2) [PF 6133] 3/4" x 3-3/8" x 41-1/2" TABLE



(2) [PF 6038] 3/4" x 3-3/8" x 26-7/8" PICNIC TABLE LEG

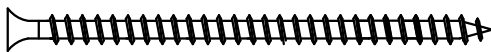


(2) [PF 6037] 3/4" x 3-3/8" x 15-3/4" BENCH SUPPORT

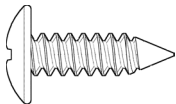


(2) [PF 6039] 3/4" x 3-3/8" x 9-3/4" TABLE SUPPORT

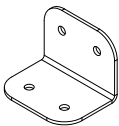
LADDER HARDWARE (SA 6016)



2-1/2" Deck Screw (x30)

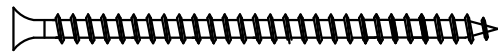


#12 x 3/4" Pan Screw (x4)

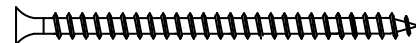


Panel Bracket (x1)

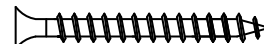
TABLE HARDWARE (SA 6019)



2-1/2" Deck Screw (x10)



2" Deck Screw (x14)



1-1/4" Deck Screw (x10)

FORT ENCLOSURE BOARD LIST (SA 6036)



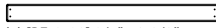
(7) [PF 6407] 5/8" x 5-3/8" x 29-5/8"



(1) [PF 6408] 3/4" x 5-3/8" x 41-1/2"



(1) [PF 6410] 3/4" x 5-3/8" x 41-1/2" ARCHED



(1) [PF 6409] 3/4" x 3-3/8" x 41-1/2"

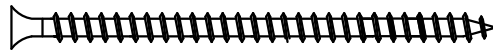


(2) [PF 6415] 1-3/8" x 1-3/8" x 3-3/8"

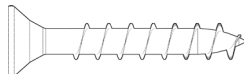


(4) [PF 6416] 1-3/8" x 1-3/8" x 5-3/8"

FORT ENCLOSURE HARDWARE (SA 9264)

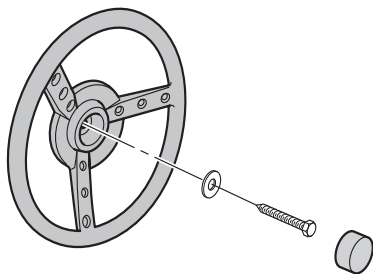


2-1/2" Deck Screw (12)

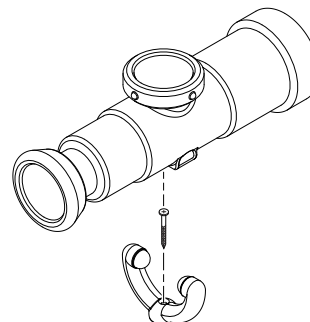


1-3/16" (30 mm) Deck Screw (x40)

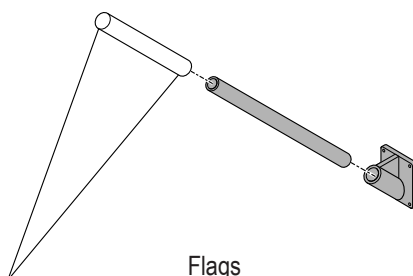
ACCESSORIES



Steering Wheel
07-0004-Y
(Installation Instructions Included)

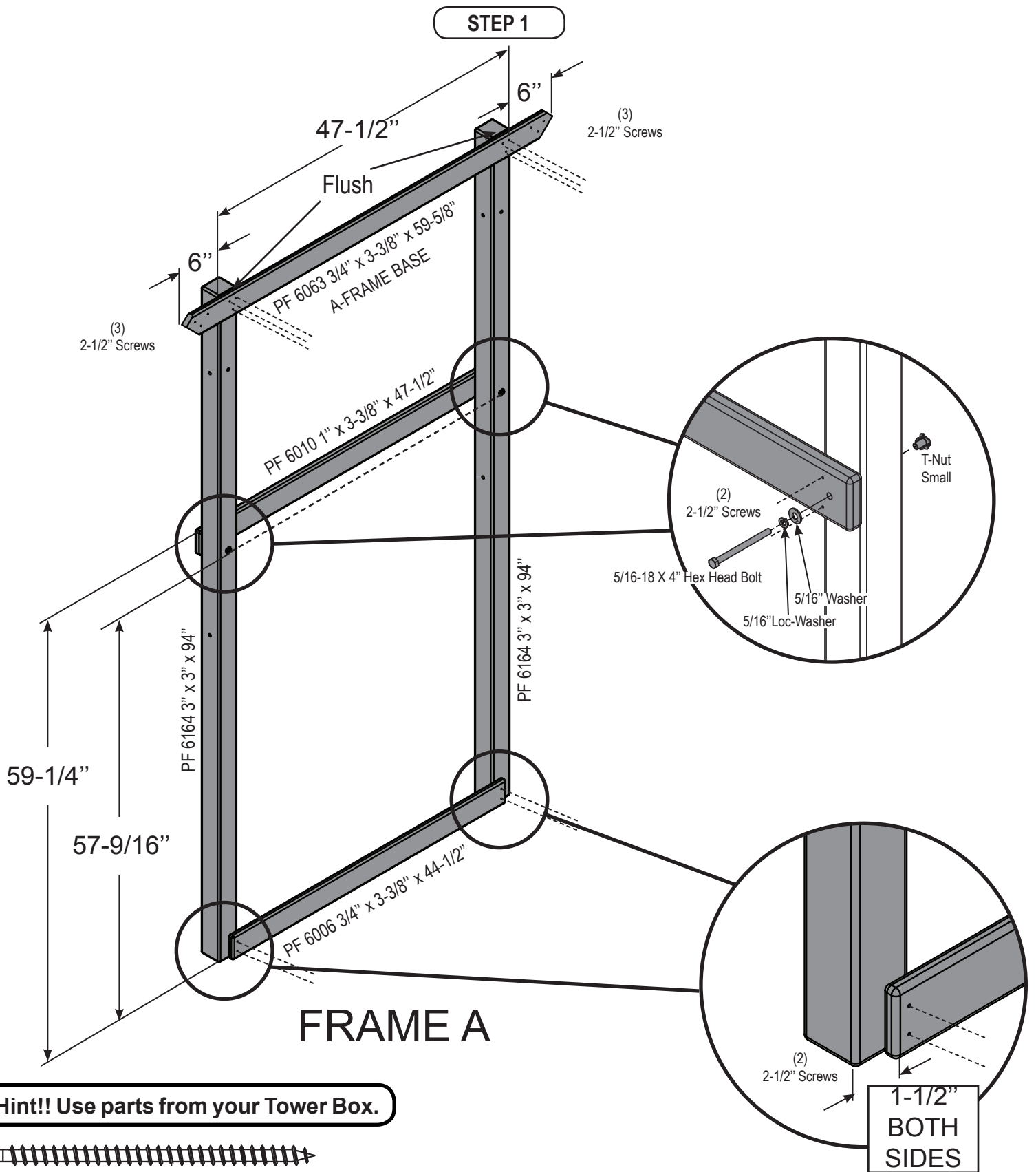


Telescope
07-0040-G/Y
(Installation Instructions Included)

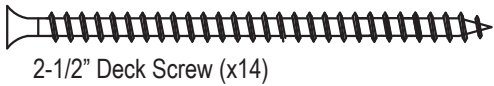


Flags
09-1014-G
(Installation Instructions Included)

STEP 1



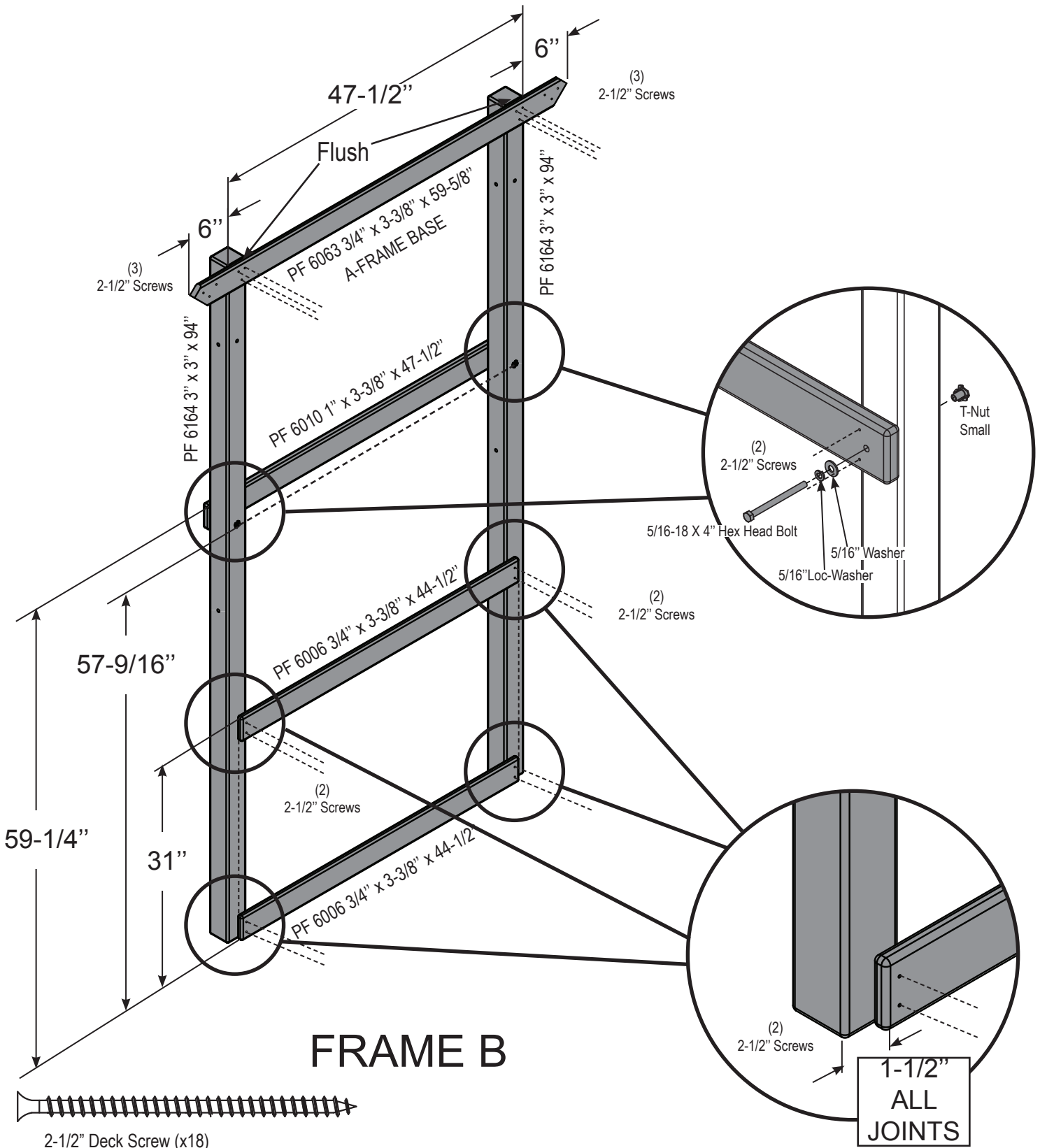
Hint!! Use parts from your Tower Box.



1. Assemble Frame A as shown above.

Note: Tap each T-Nut into its pre-drilled hole until the metal tangs sink fully into the wood.

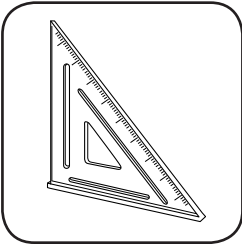
STEP 2



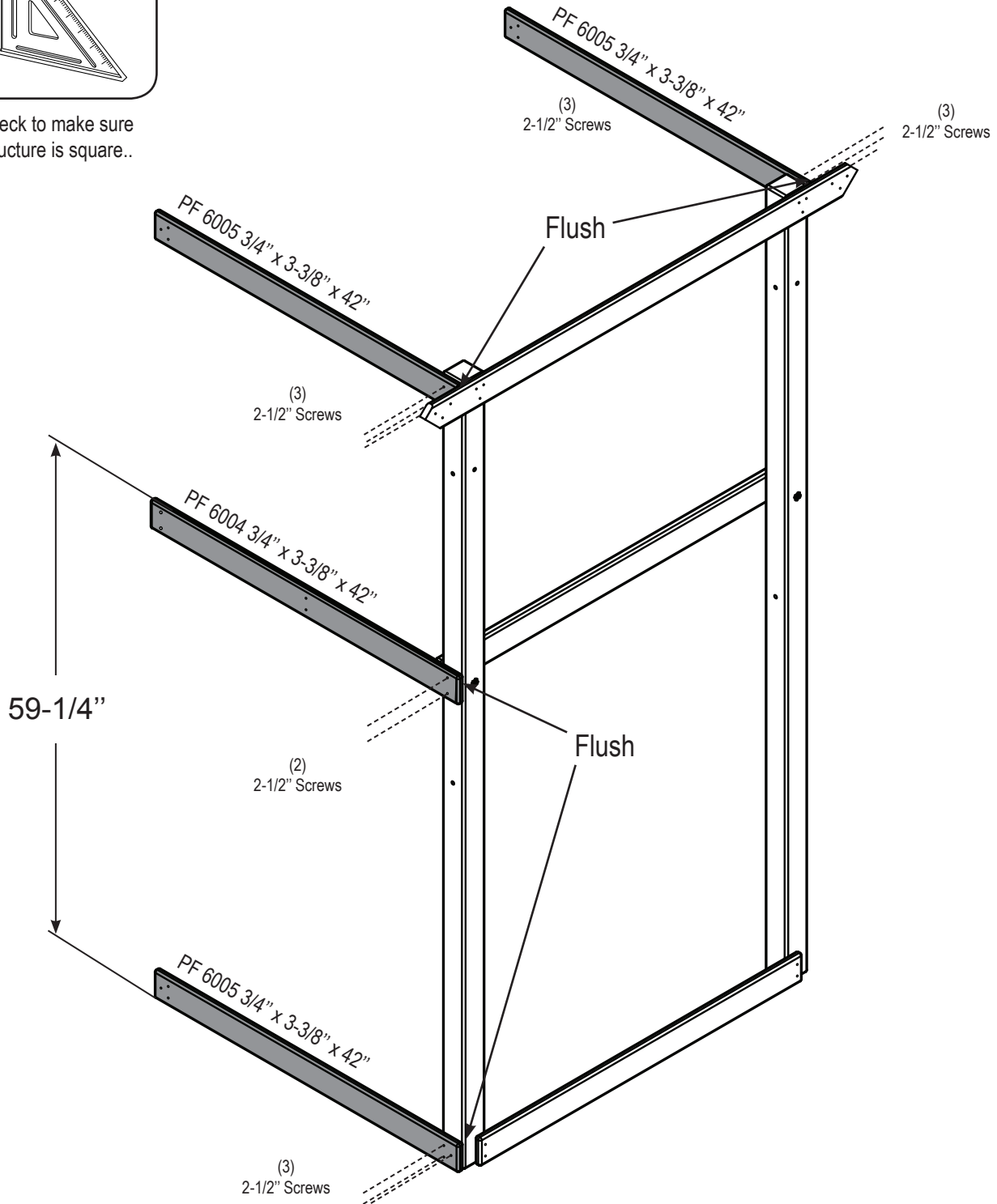
1. Assemble Frame B as shown above.

Note: Tap each T-Nut into its pre-drilled hole until the metal tangs sink fully into the wood.

STEP 3



Check to make sure structure is square..



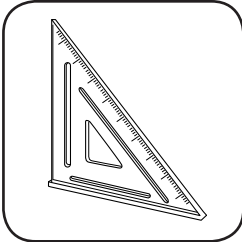
FRAME A



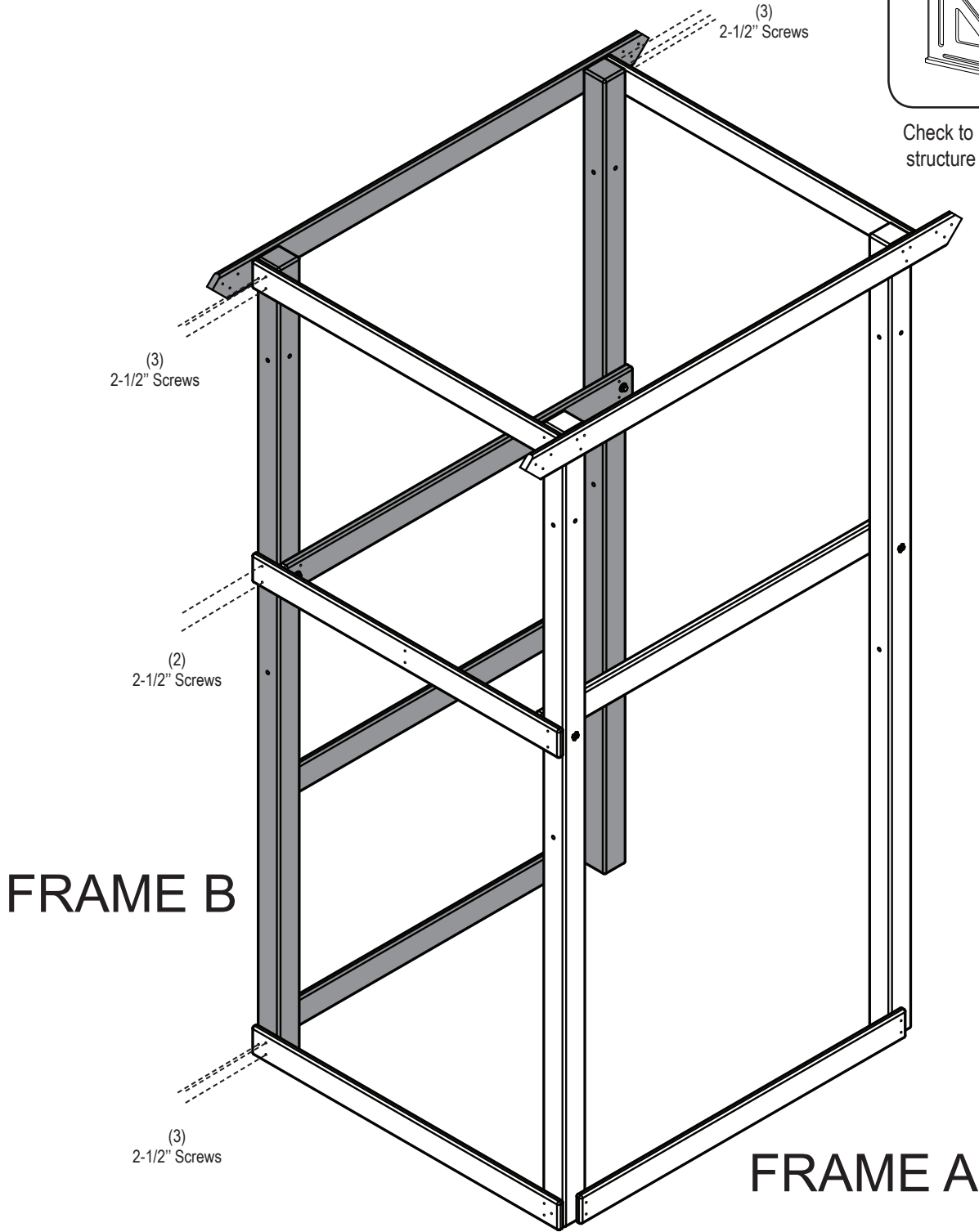
2-1/2" Deck Screw (x11)

1. Attach support boards to Frame A as shown.

STEP 4



Check to make sure structure is square.



2-1/2" Deck Screw (x11)

- 1. Attach Frame A to Frame B as shown.

STEP 5

(2)
PF 6149 1-3/8" x 3-3/8" x 15-1/2"
DECK SUPPORT

(3)
2-1/2" Screws

Flush

Flush

(3)
1-3/4" Screw
per joint

(4) 3" Screw



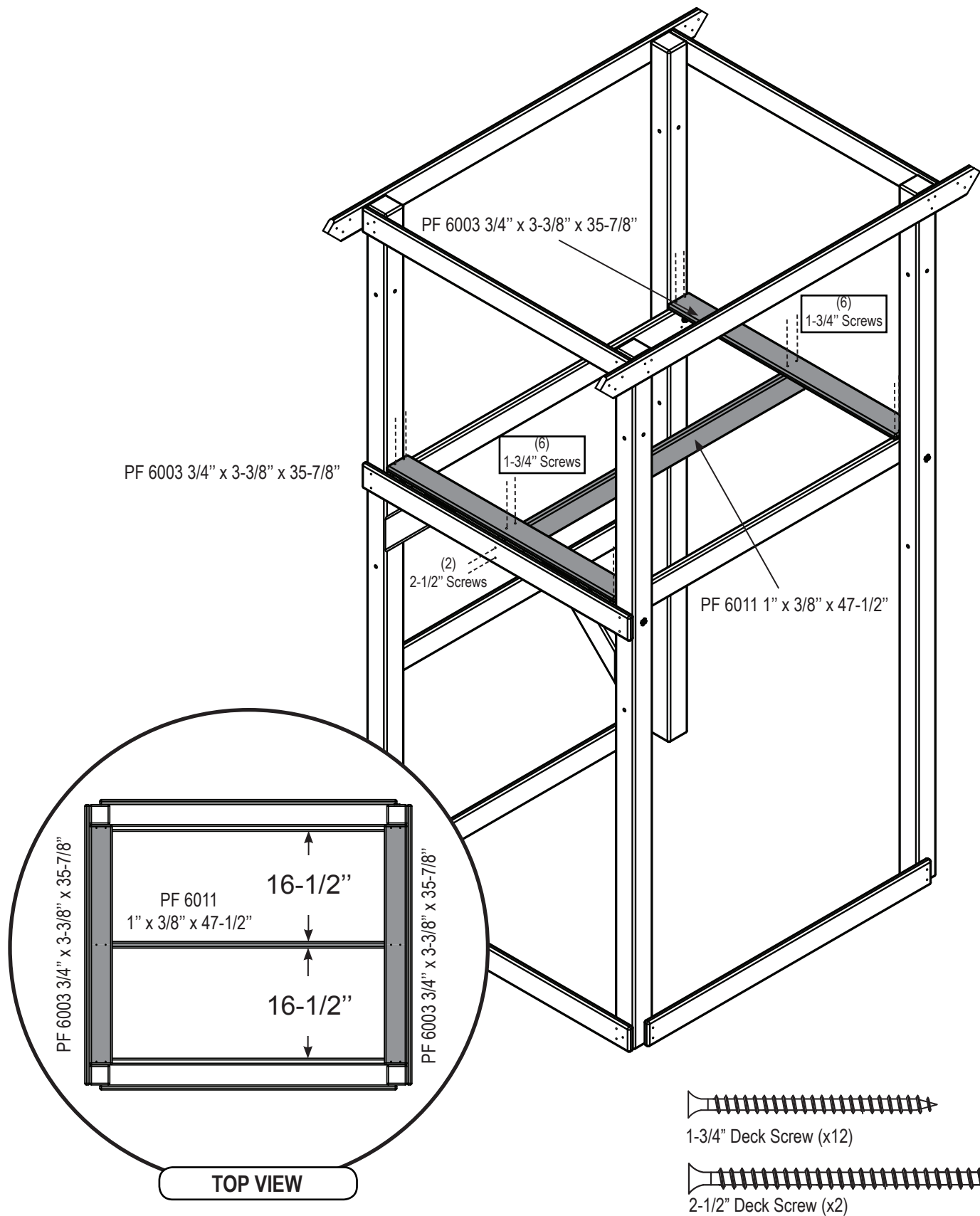
1-3/4" Deck Screw (x6)



3" Deck Screw (x4)

1. Install Deck Supports as shown.

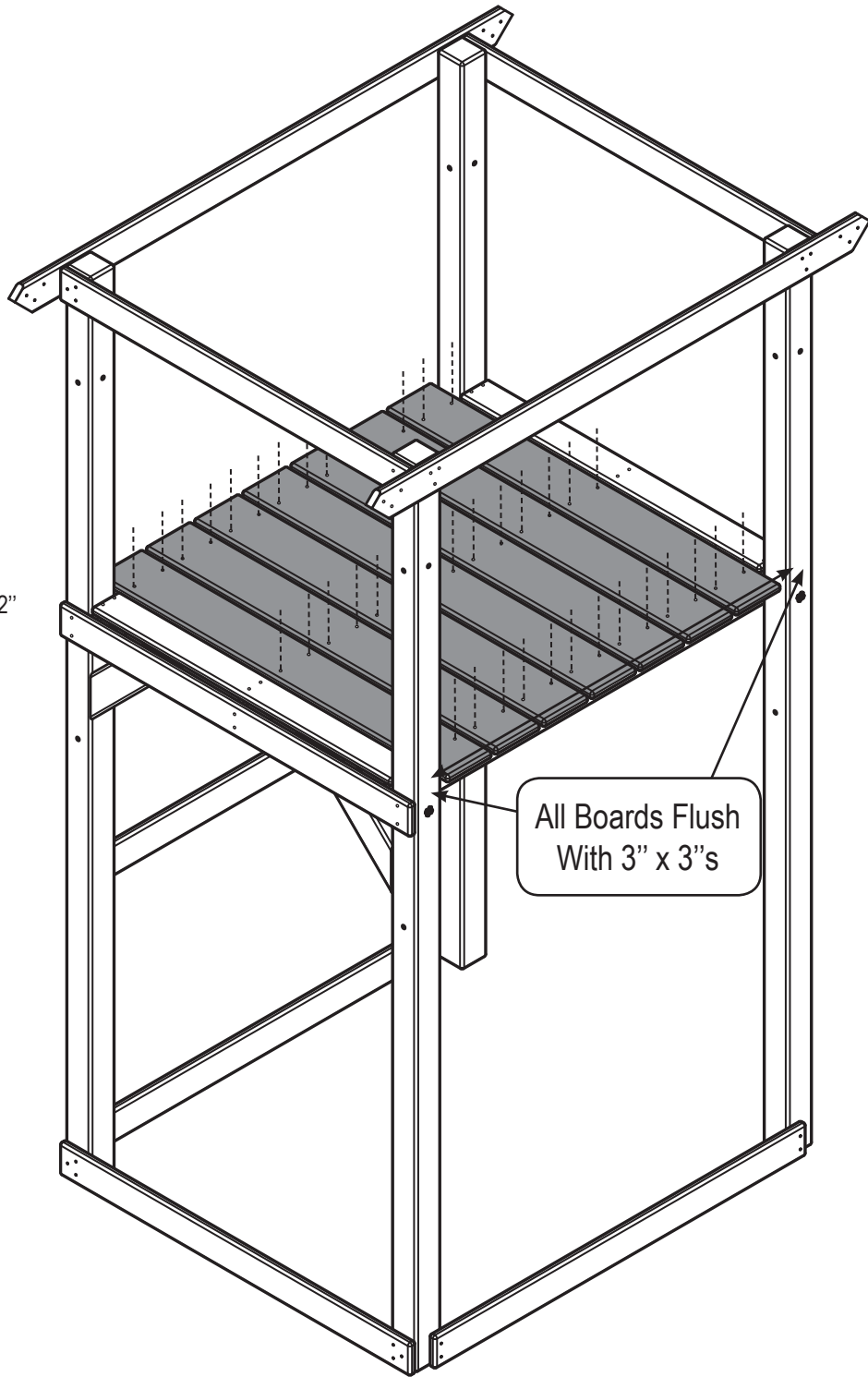
STEP 6



1. Install Deck Boards as shown.

STEP 7

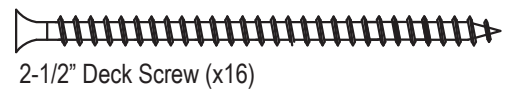
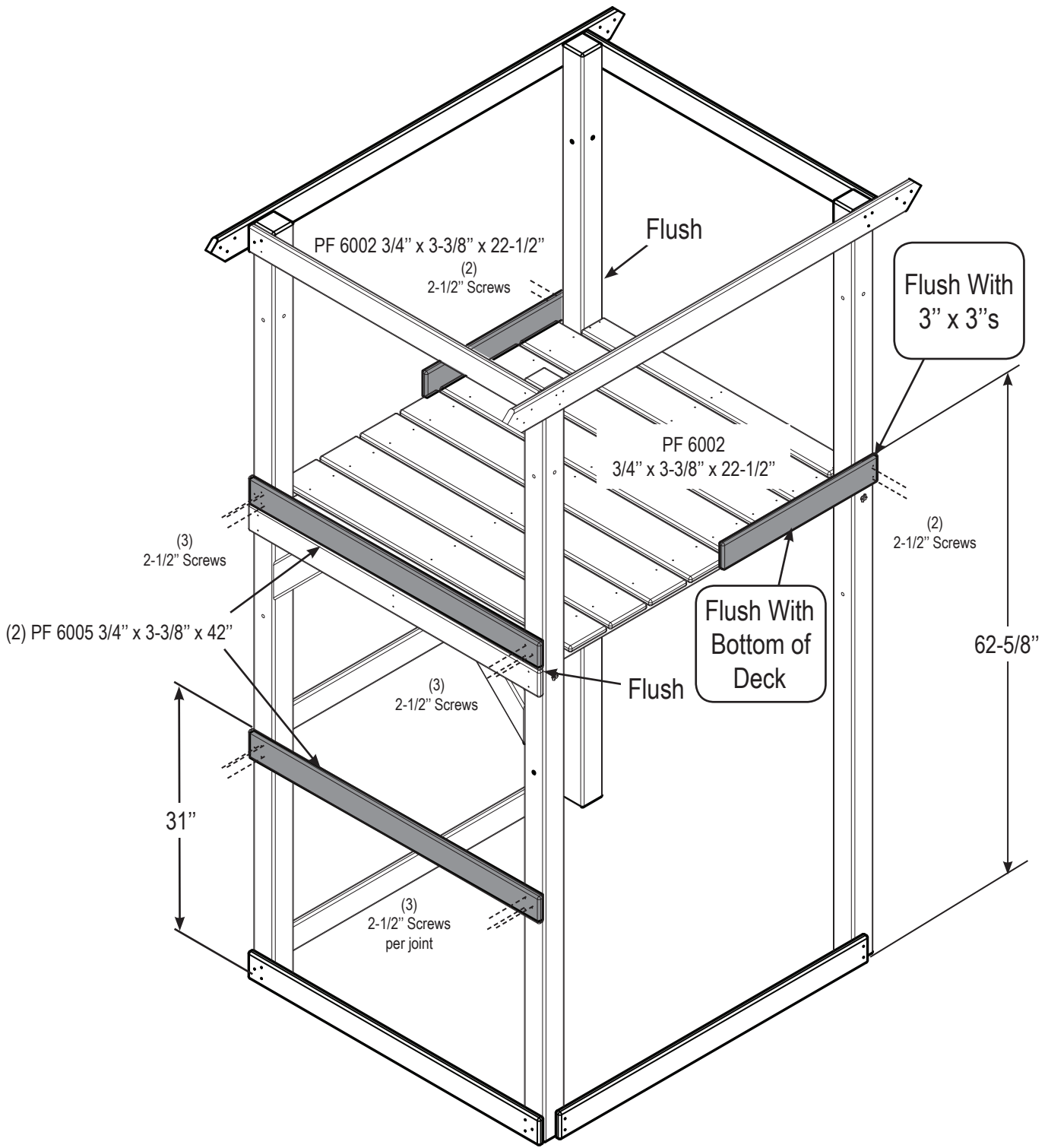
(7)
PF 6008 3/4" x 5-3/8" x 42"
(6)
1-3/4" Screws
per deck board



1-3/4" Deck Screw (x42)

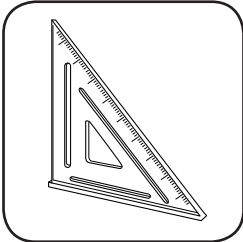
1. Install Deck Boards as shown.
NOTE: Standard gap between deck boards is 3/8".

STEP 8

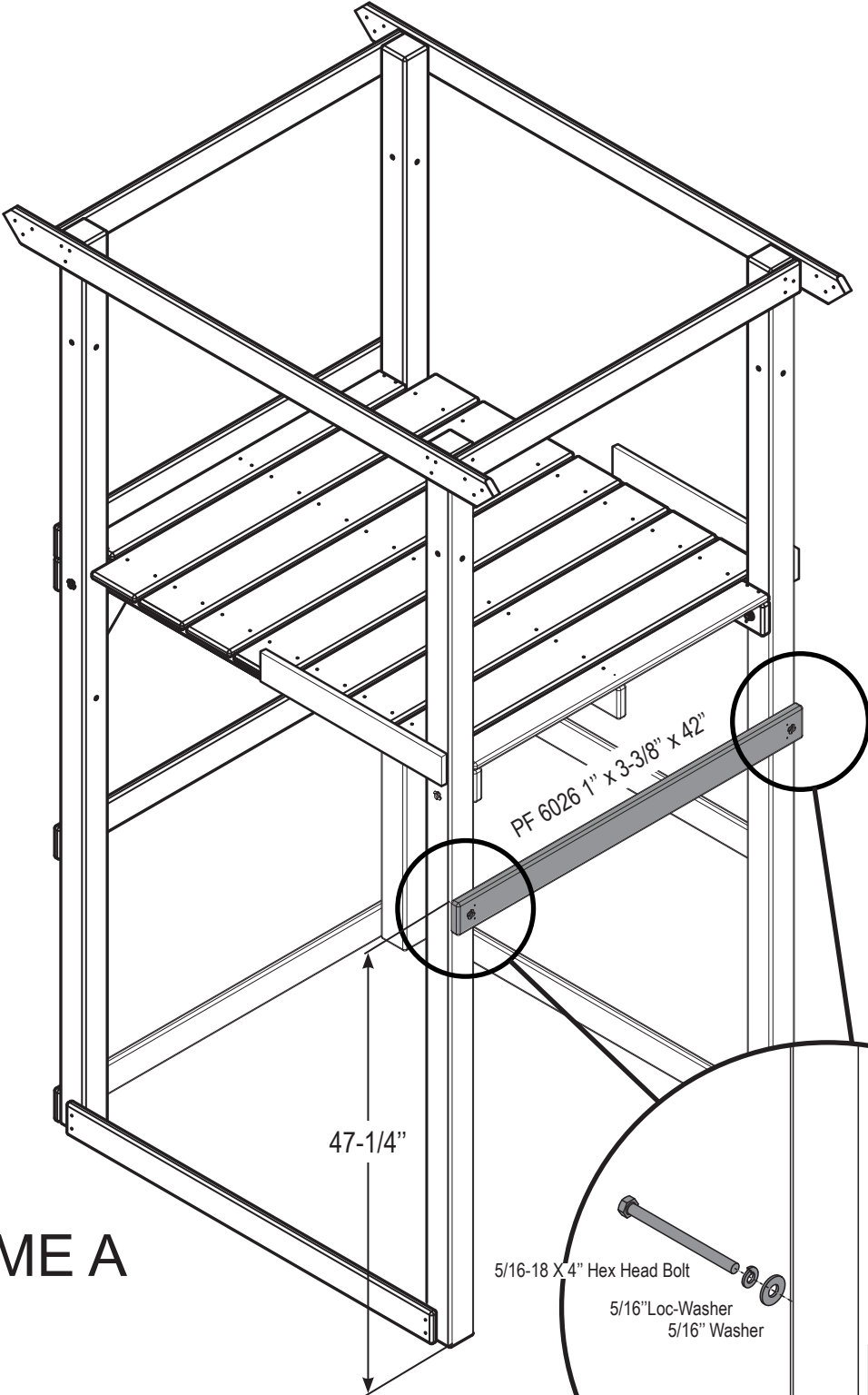


1. Attach Boards as shown.

STEP 9



Check to make sure structure is square.



FRAME A

Hint!! Use parts from your Terrace Box.



2-1/2" Deck Screw (x4)

5/16-18 X 4" Hex Head Bolt

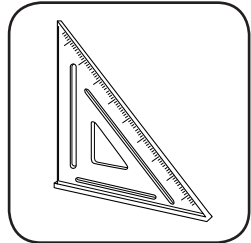
5/16" Loc-Washer
5/16" Washer

(2)
2-1/2" Screws

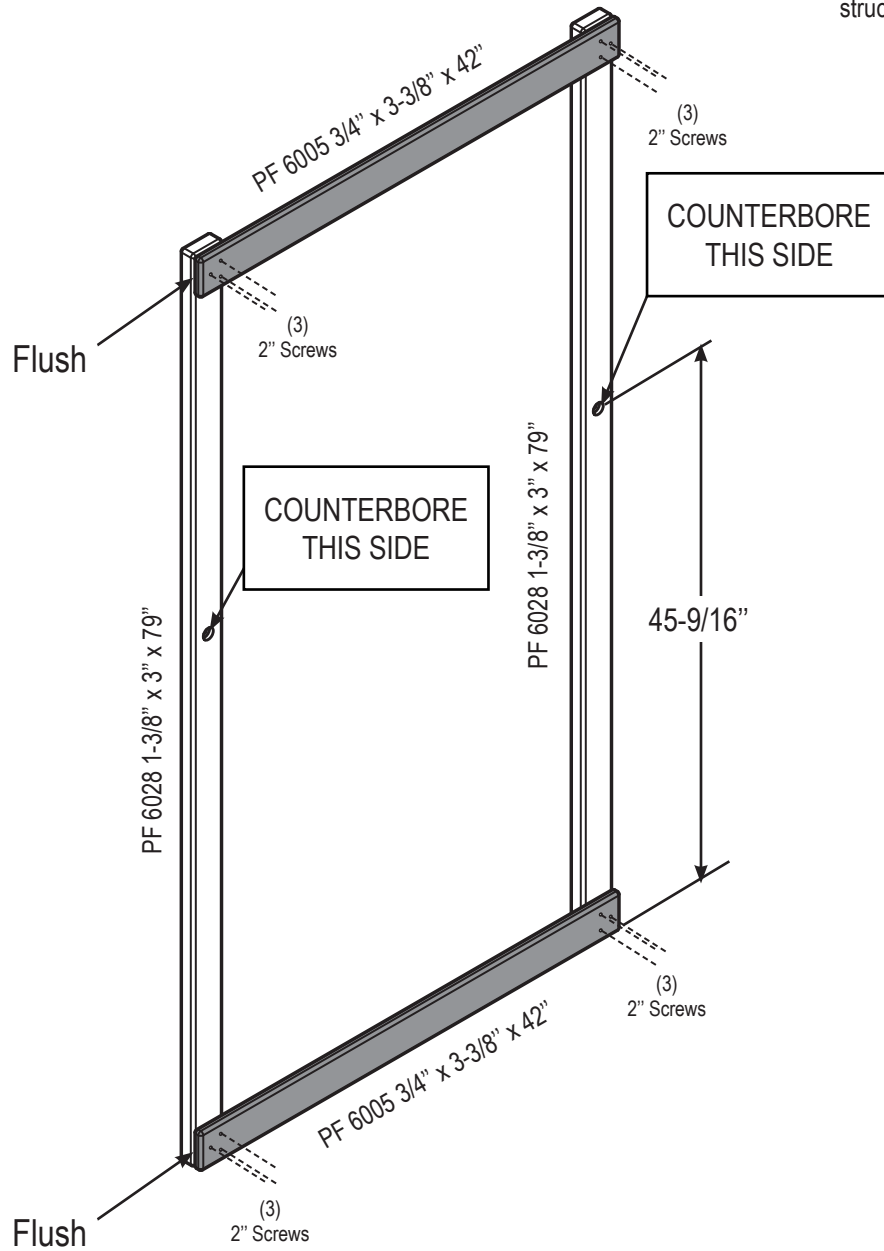
T-Nut
Small

1. Install Deck Support Board as shown.

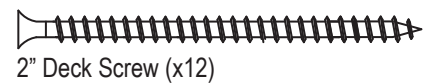
STEP 10



Check to make sure structure is square.

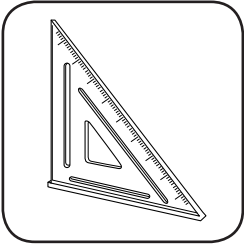


FRAME C

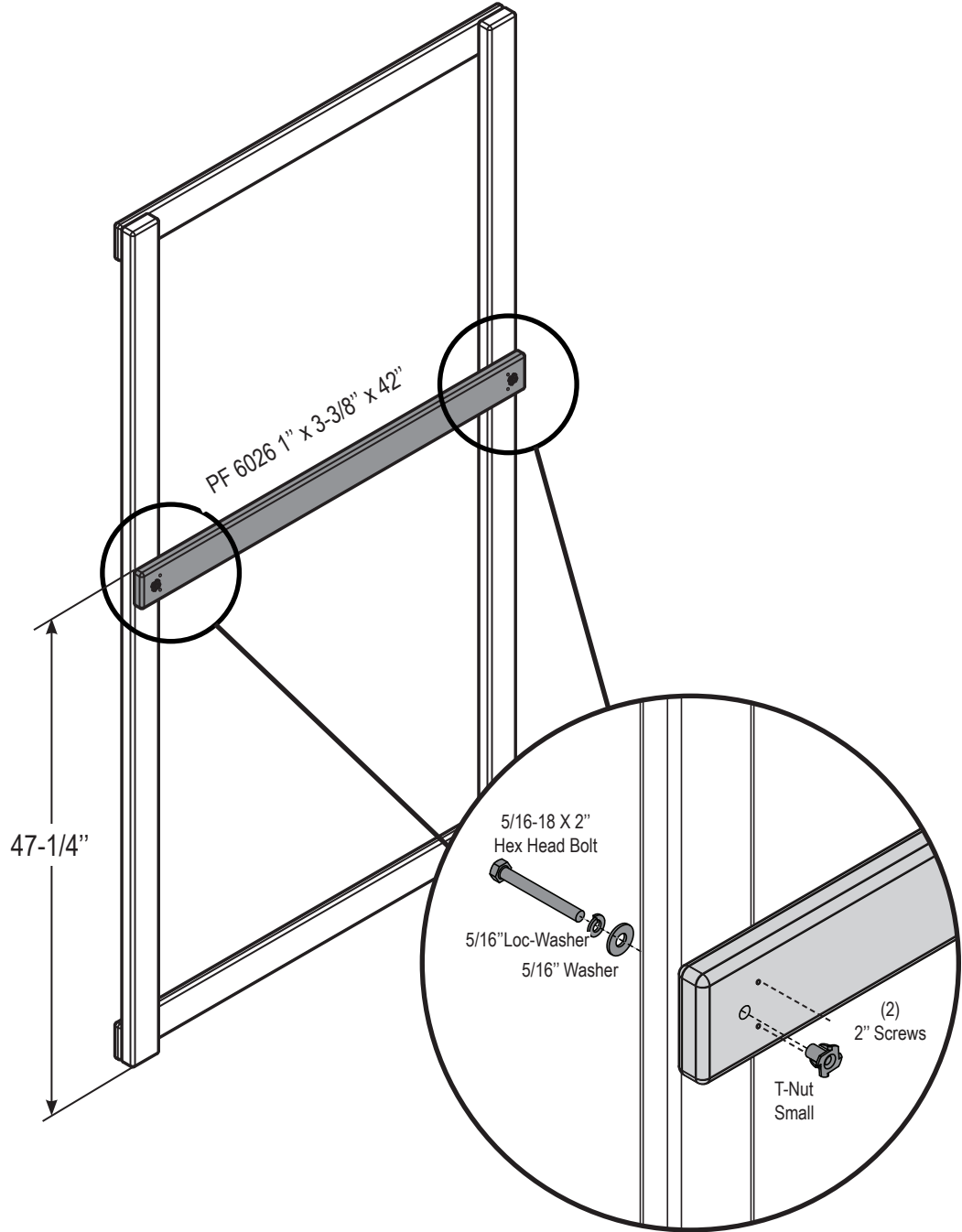


- 1. Assemble Frame C as shown.

STEP 11



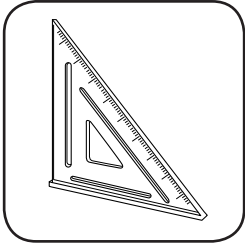
Check to make sure structure is square.



2" Deck Screw (x4)

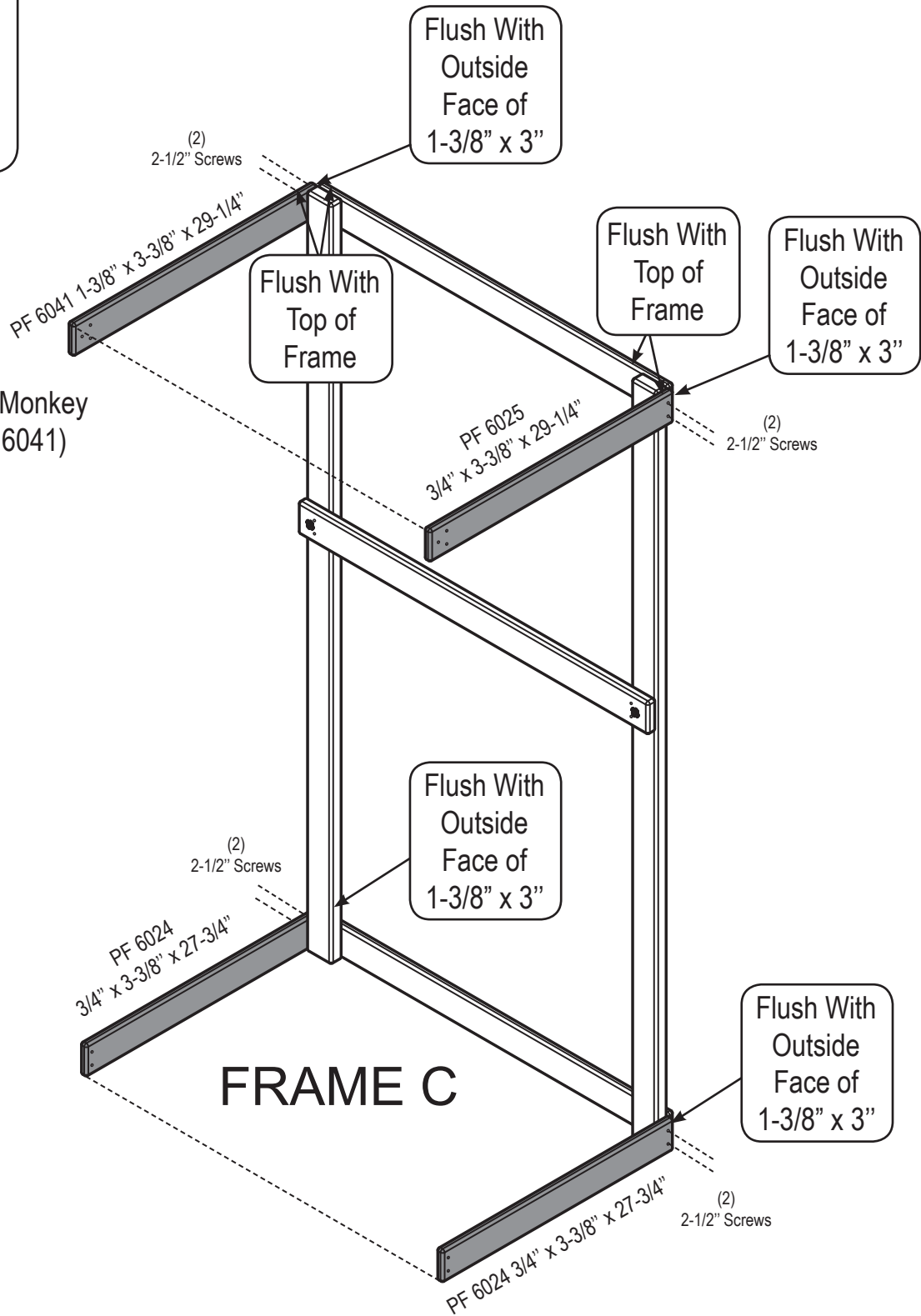
1. Install Deck Support Board as shown.

STEP 12



Check to make sure structure is square.

HINT:
Use part from Monkey Bar box (PF 6041)



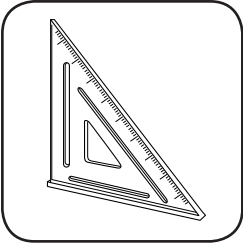
FRAME C



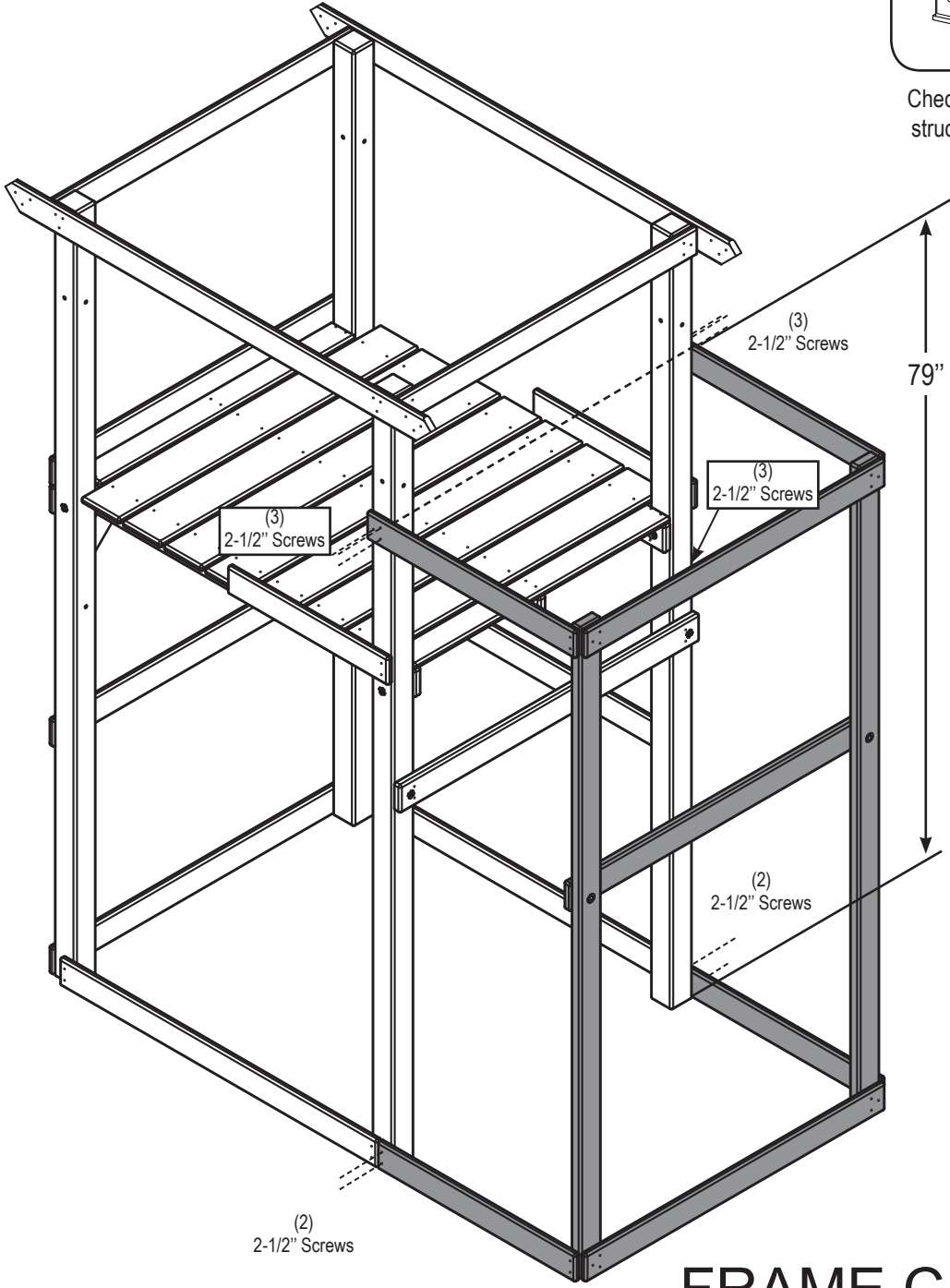
2-1/2" Deck Screw (x8a)

1. Install Frame Support Boards as shown.

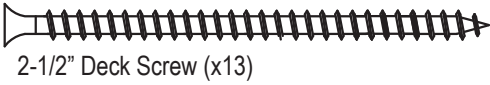
STEP 13



Check to make sure structure is square.



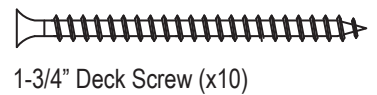
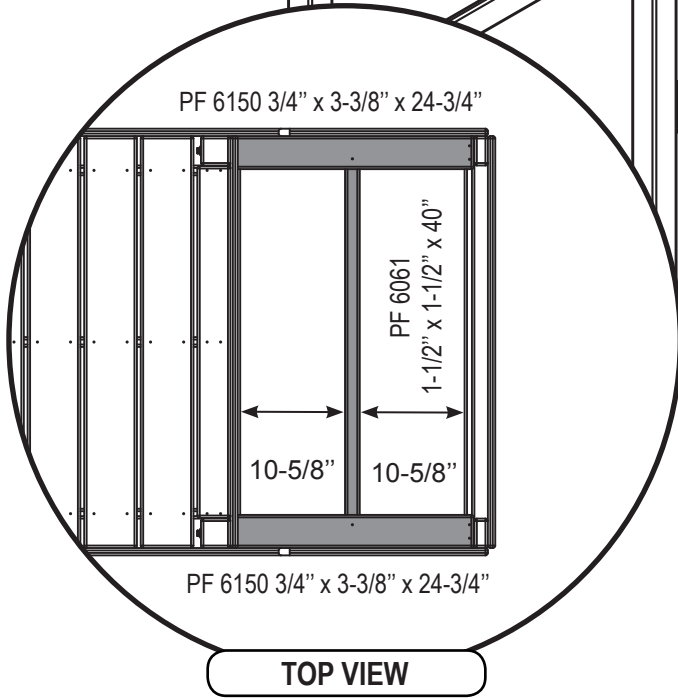
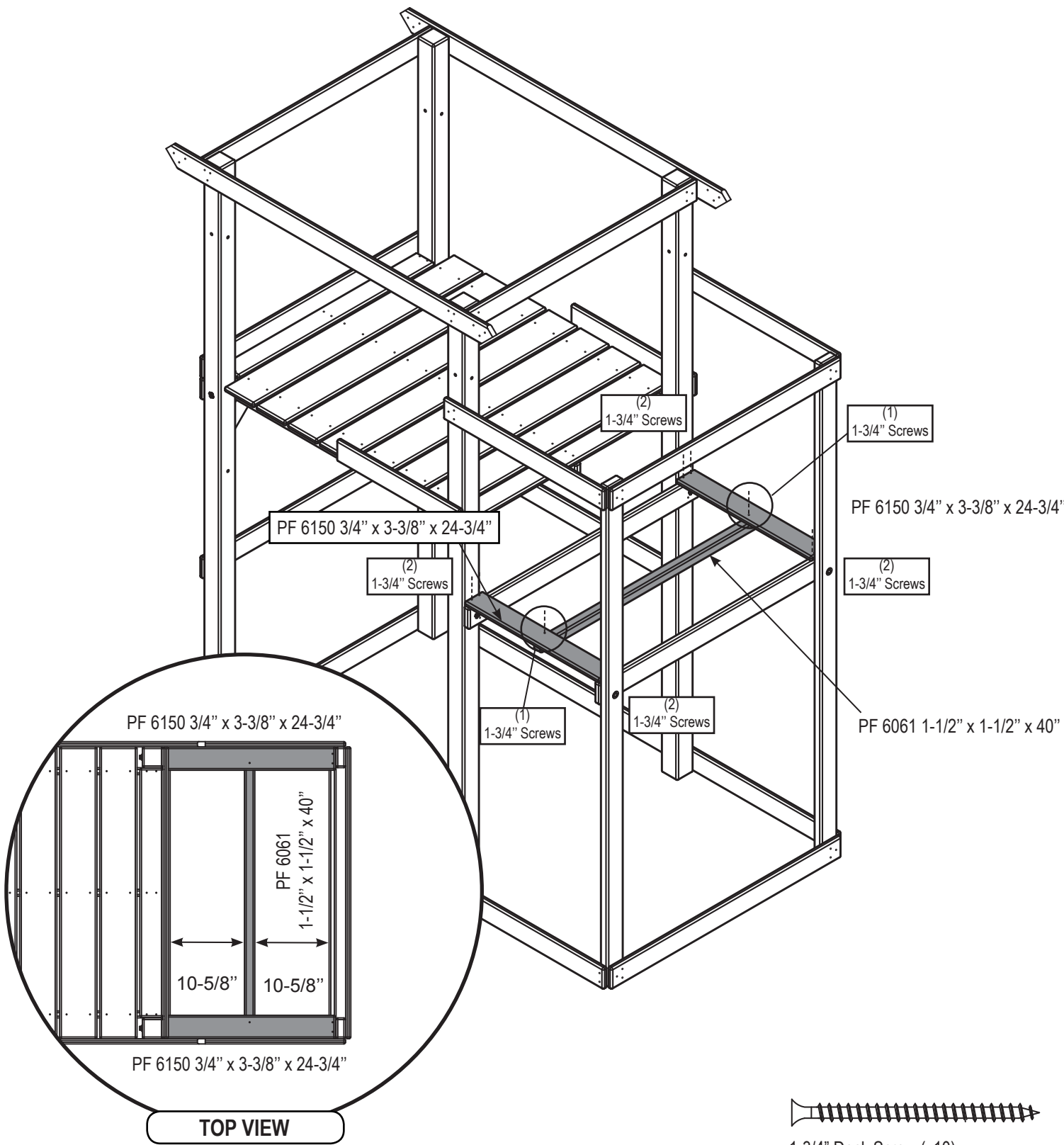
FRAME C



2-1/2" Deck Screw (x13)

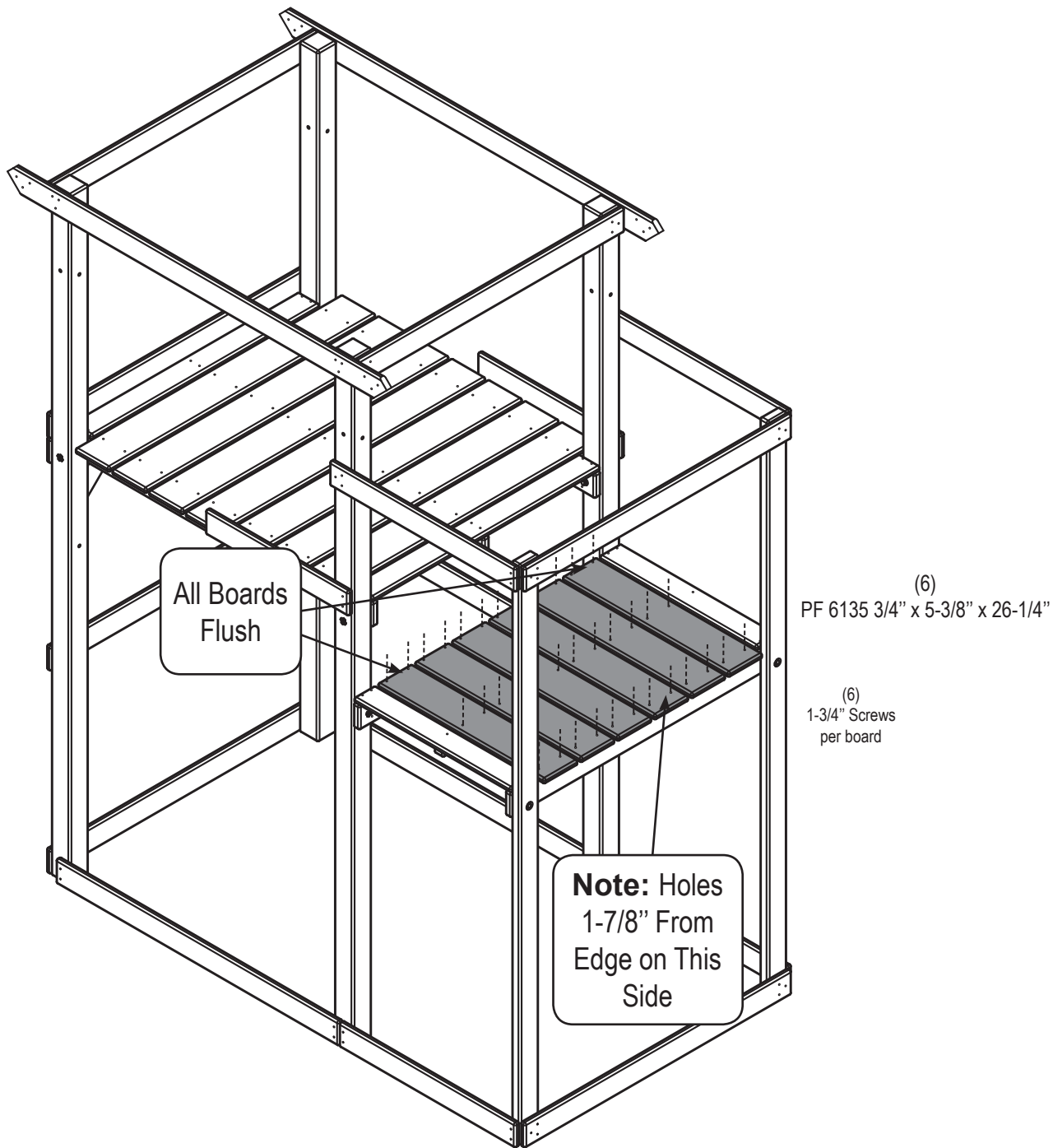
1. Attach Frame C to Tower as shown.

STEP 14



1. Install Deck Boards as shown.

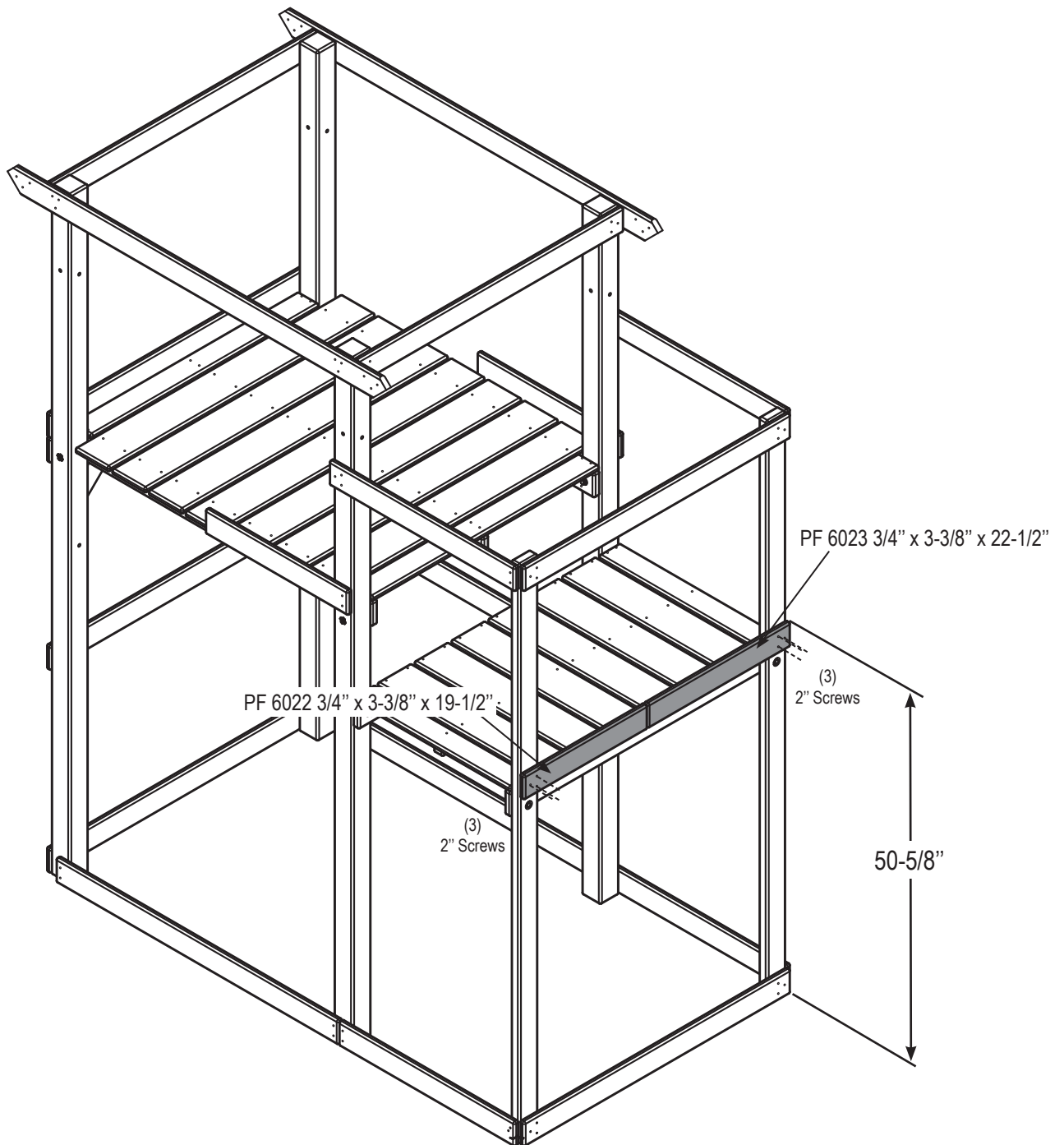
STEP 15



1-3/4" Deck Screw (x36)

1. Install Deck Boards as shown.
NOTE: Standard gap between deck boards is 7/16".

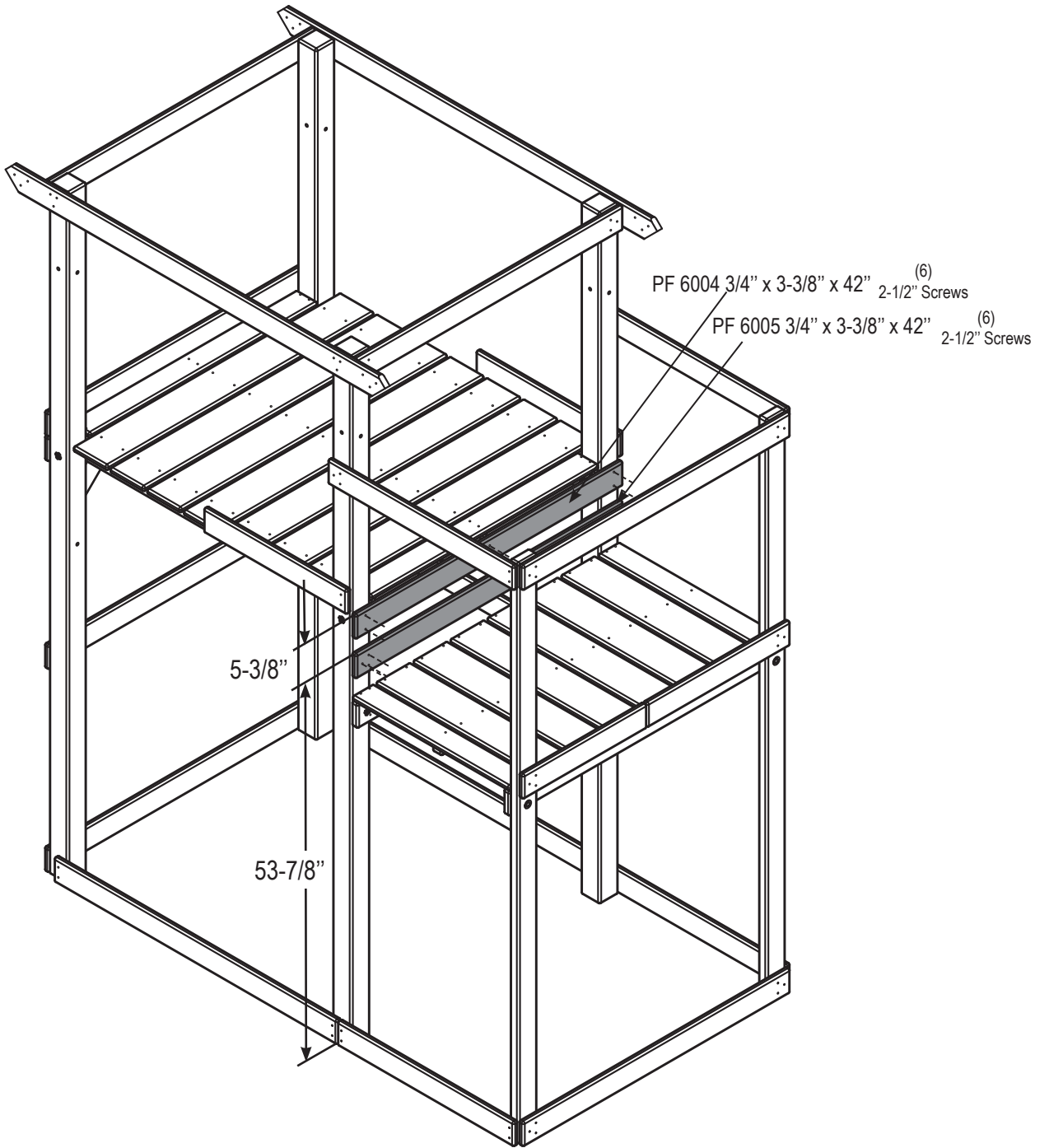
STEP 16



2" Deck Screw (x6)

1. Install Barrier Support Boards as shown.

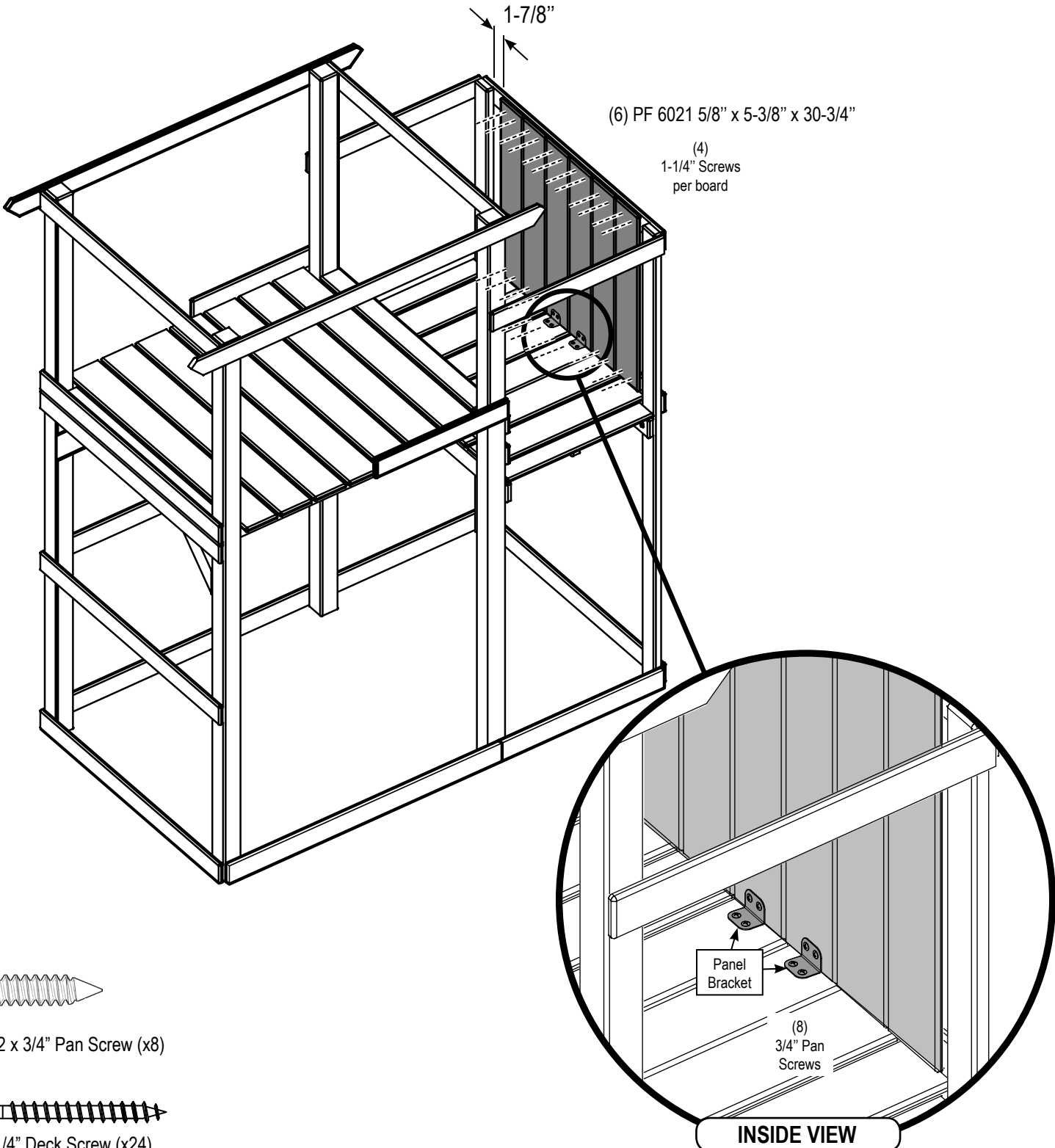
STEP 17



2-1/2" Deck Screw (x12)

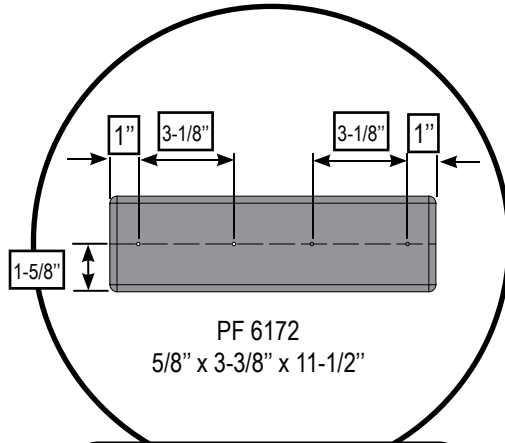
1. Attach Gap Filler Boards as shown.

STEP 18

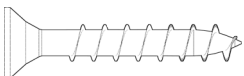
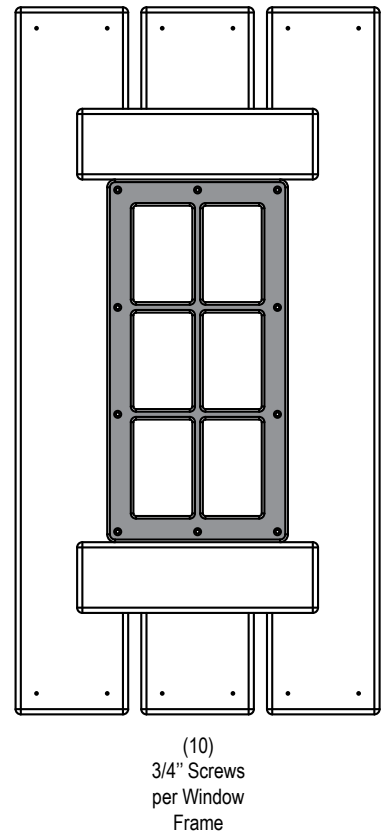
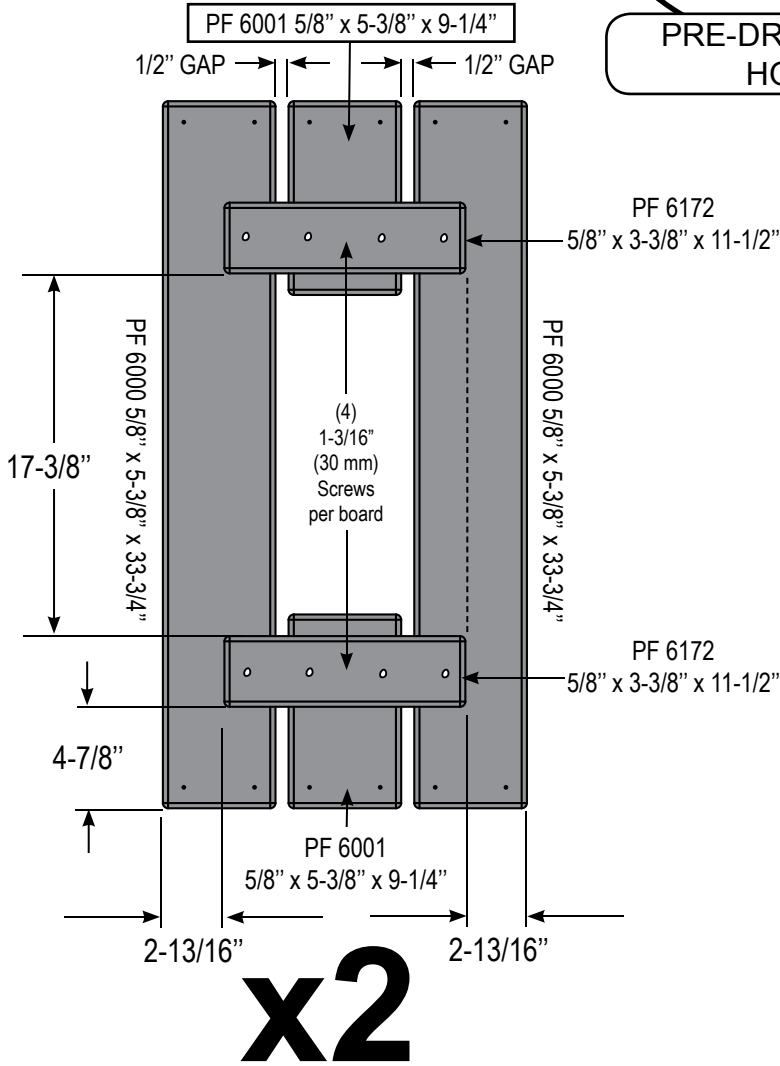


1. Install Barrier Boards as shown. No gaps between boards.

STEP 19



PRE-DRILL (4) 1/8" HOLES



1-3/16" (30 mm) Deck Screw (x8)

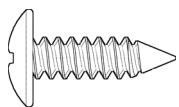
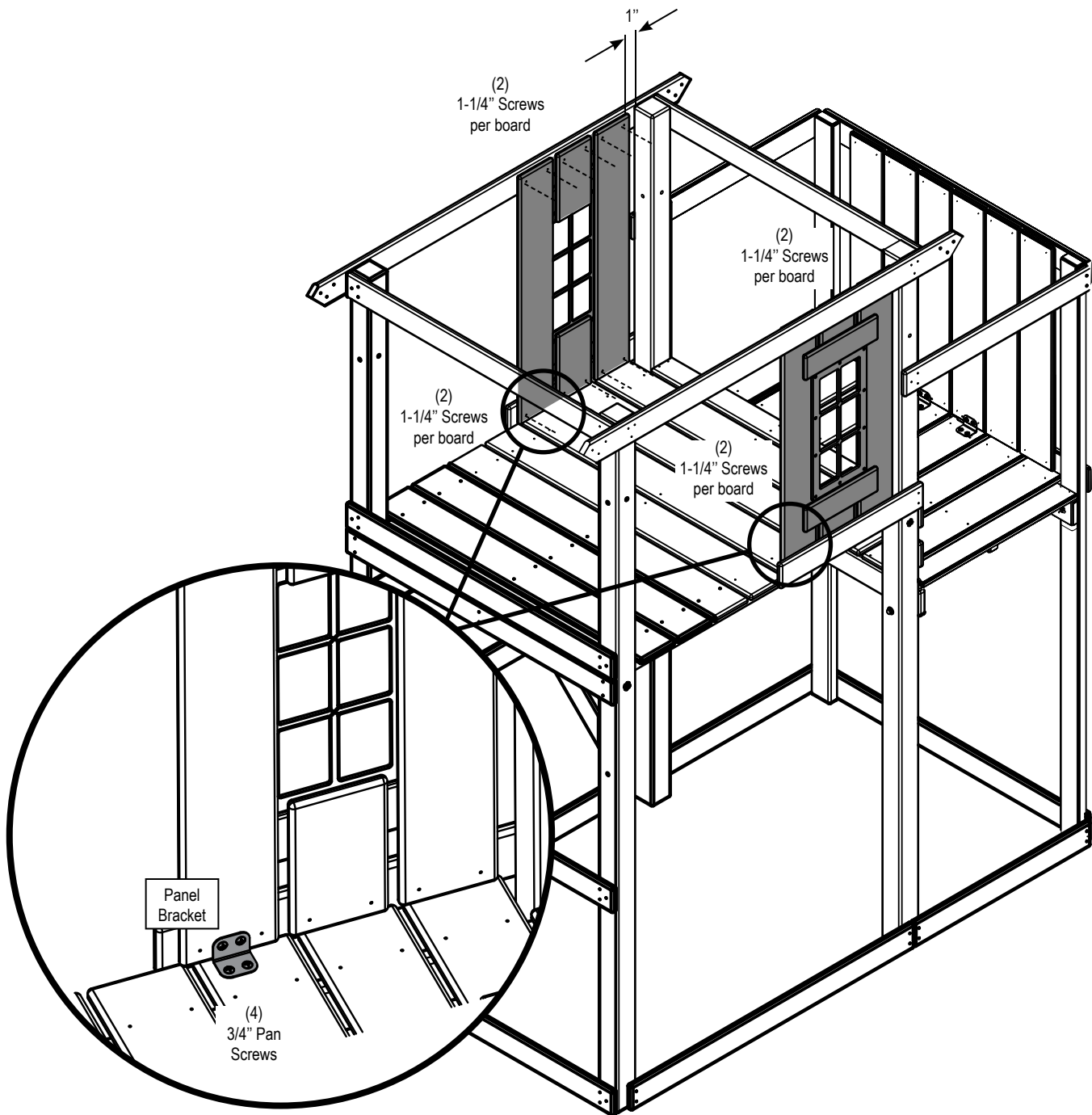


3/4" Flat Head Screw (x10)

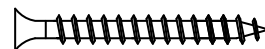
Hint!! Use parts from your Tower Box.

1. To avoid splitting, pre-drill holes in all PF6172 Boards, as shown.
2. Assemble Window Panels as shown.
3. Install Window Frames as shown.

STEP 20



#12 x 3/4" Pan Screw (x8)



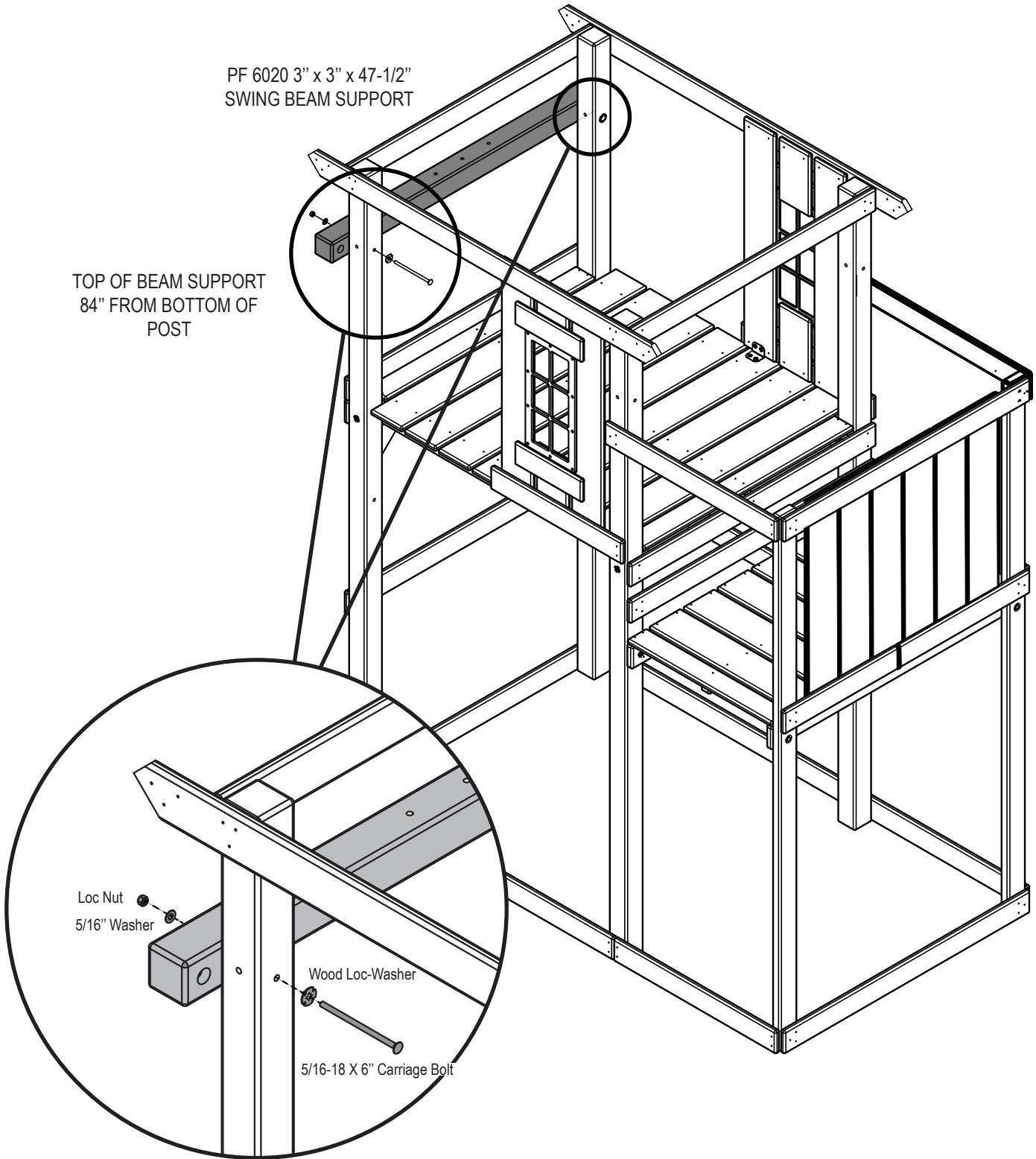
1-1/4" Deck Screw (x24)

1. Install Window Panels.

STEP 21

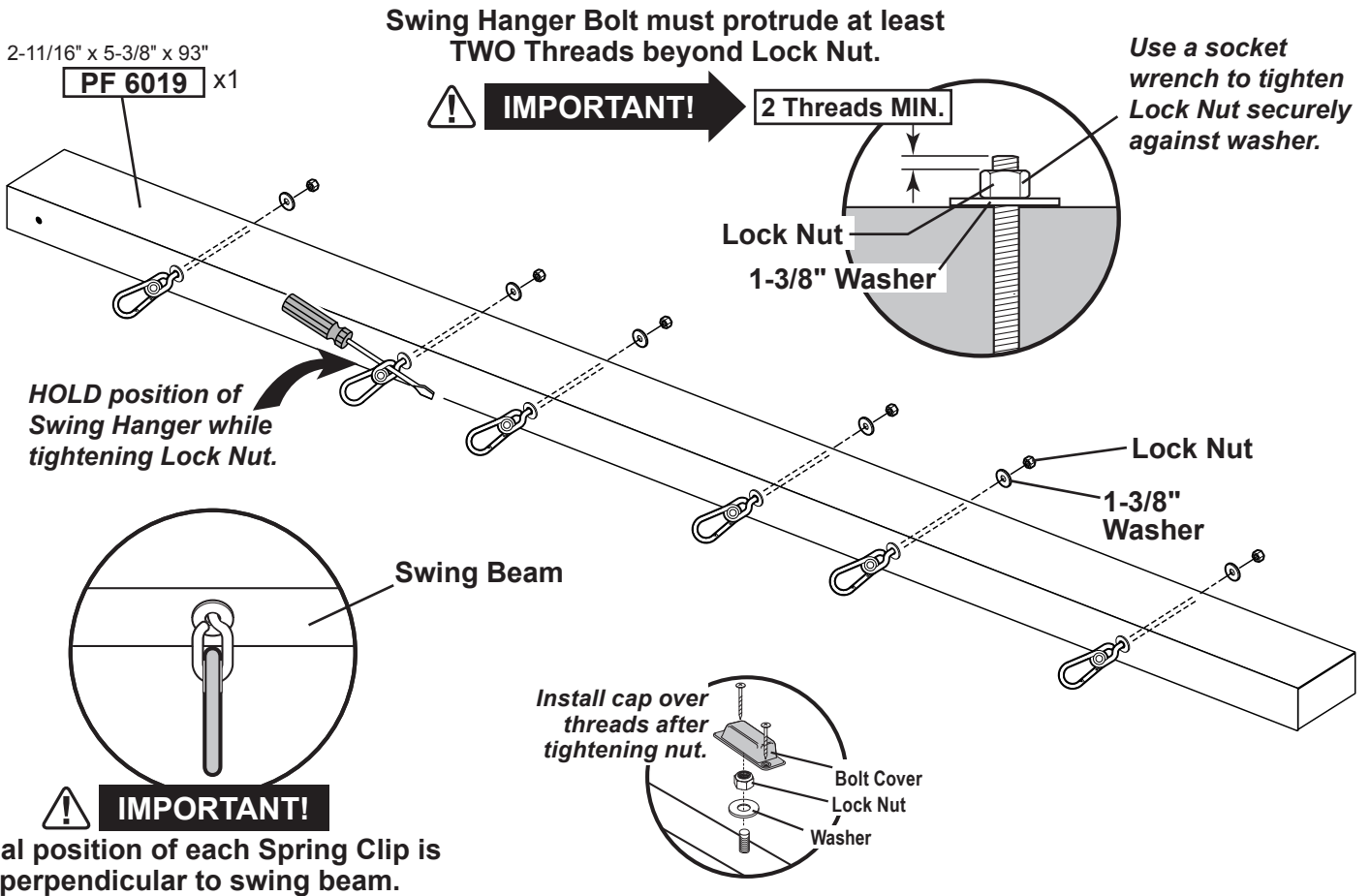
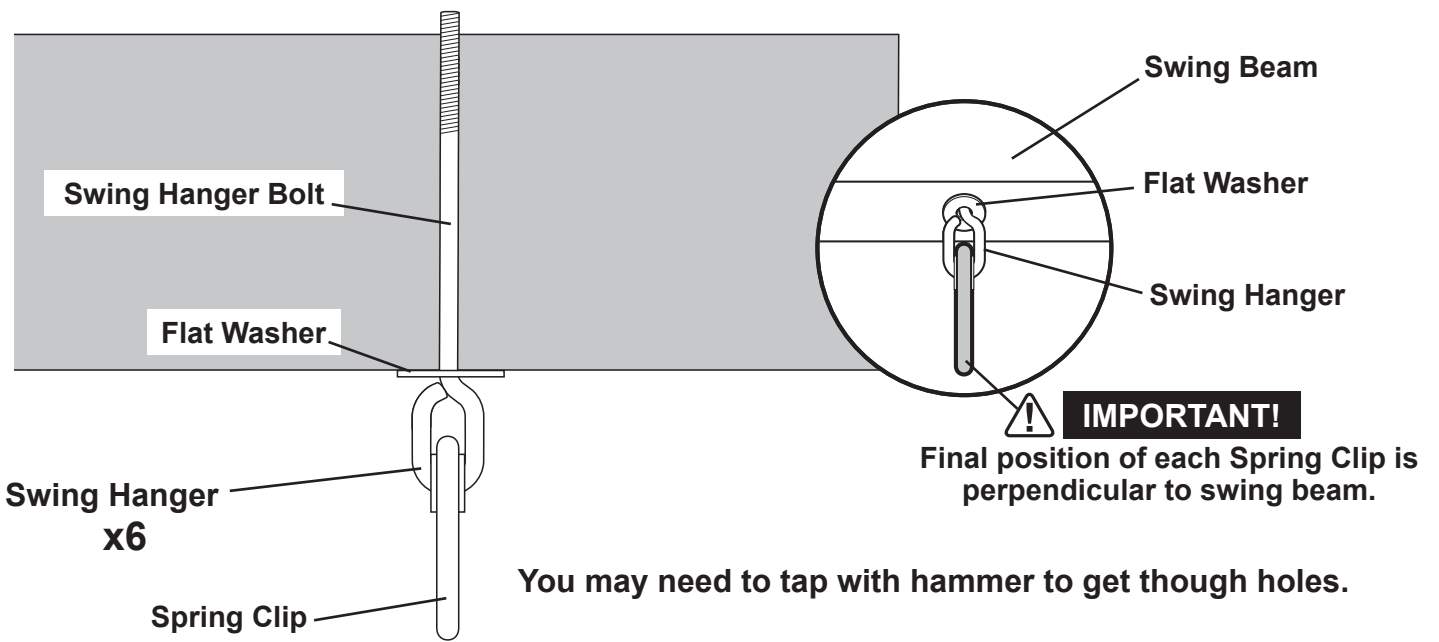
PF 6020 3" x 3" x 47-1/2"
SWING BEAM SUPPORT

TOP OF BEAM SUPPORT
84" FROM BOTTOM OF
POST



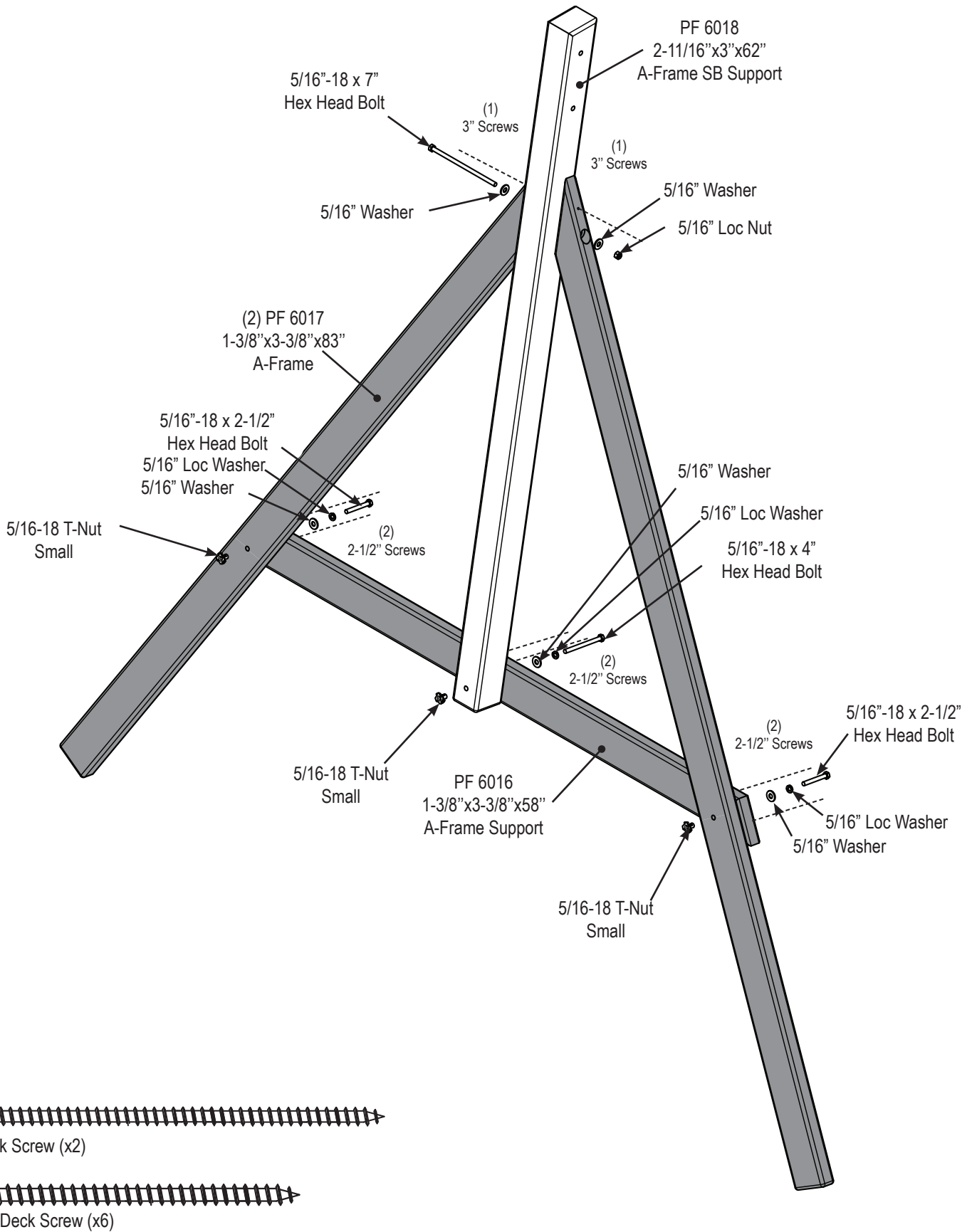
1. Install Swing Beam Support as shown.

STEP 22



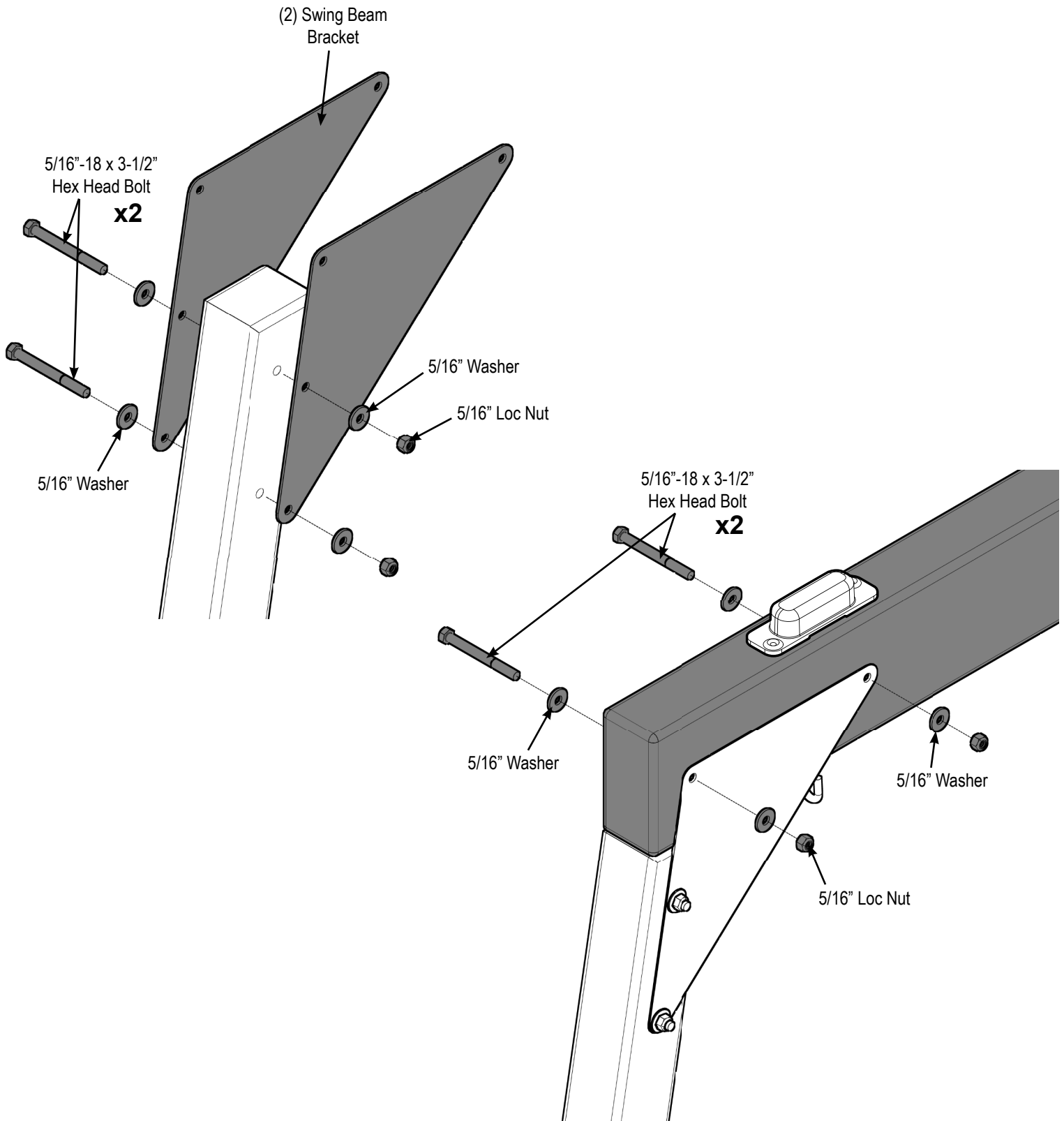
1. Attach Swing Hanger(s) to swing beam as shown.

STEP 23



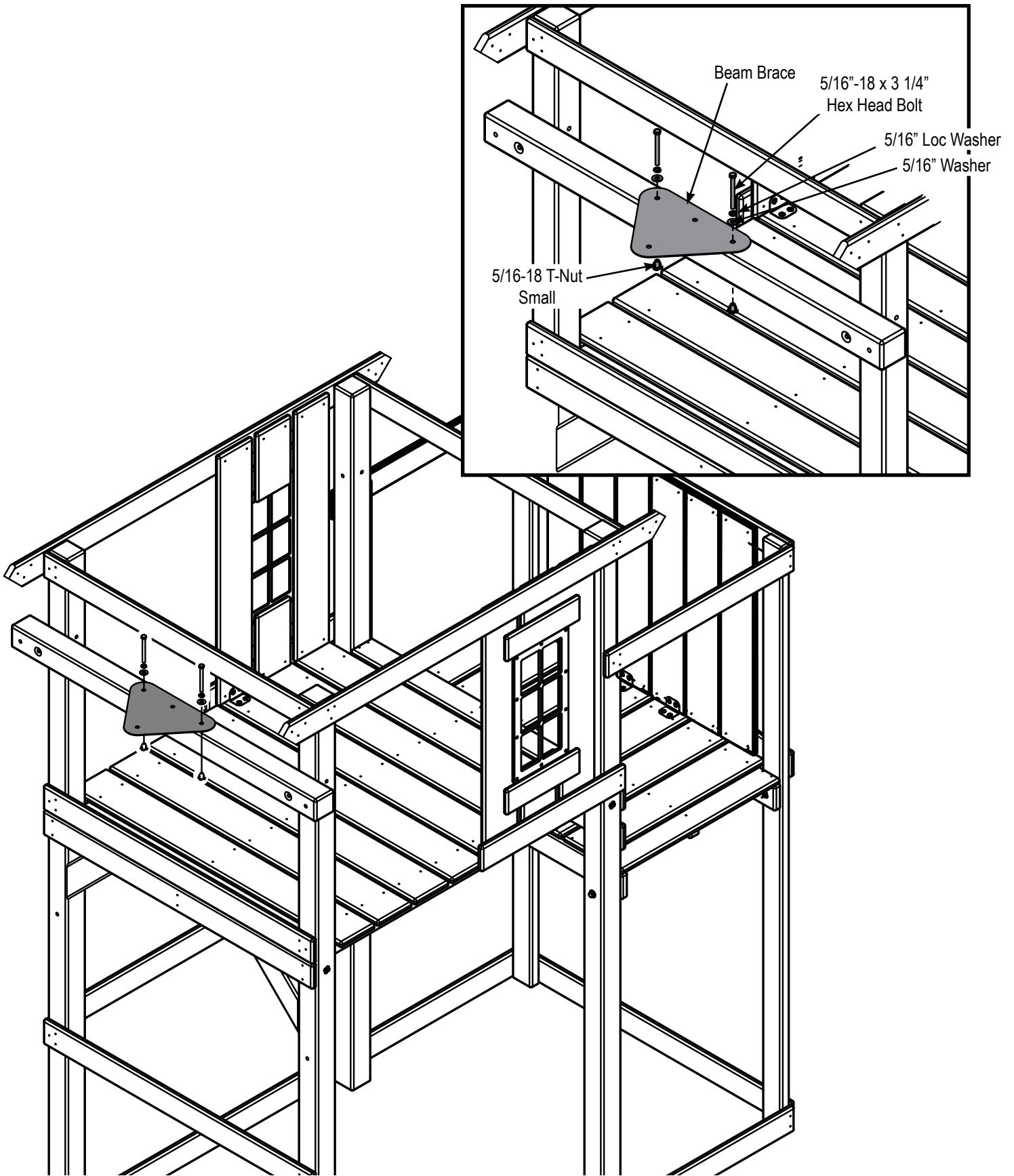
1. Assemble A-Frame as shown.

STEP 24



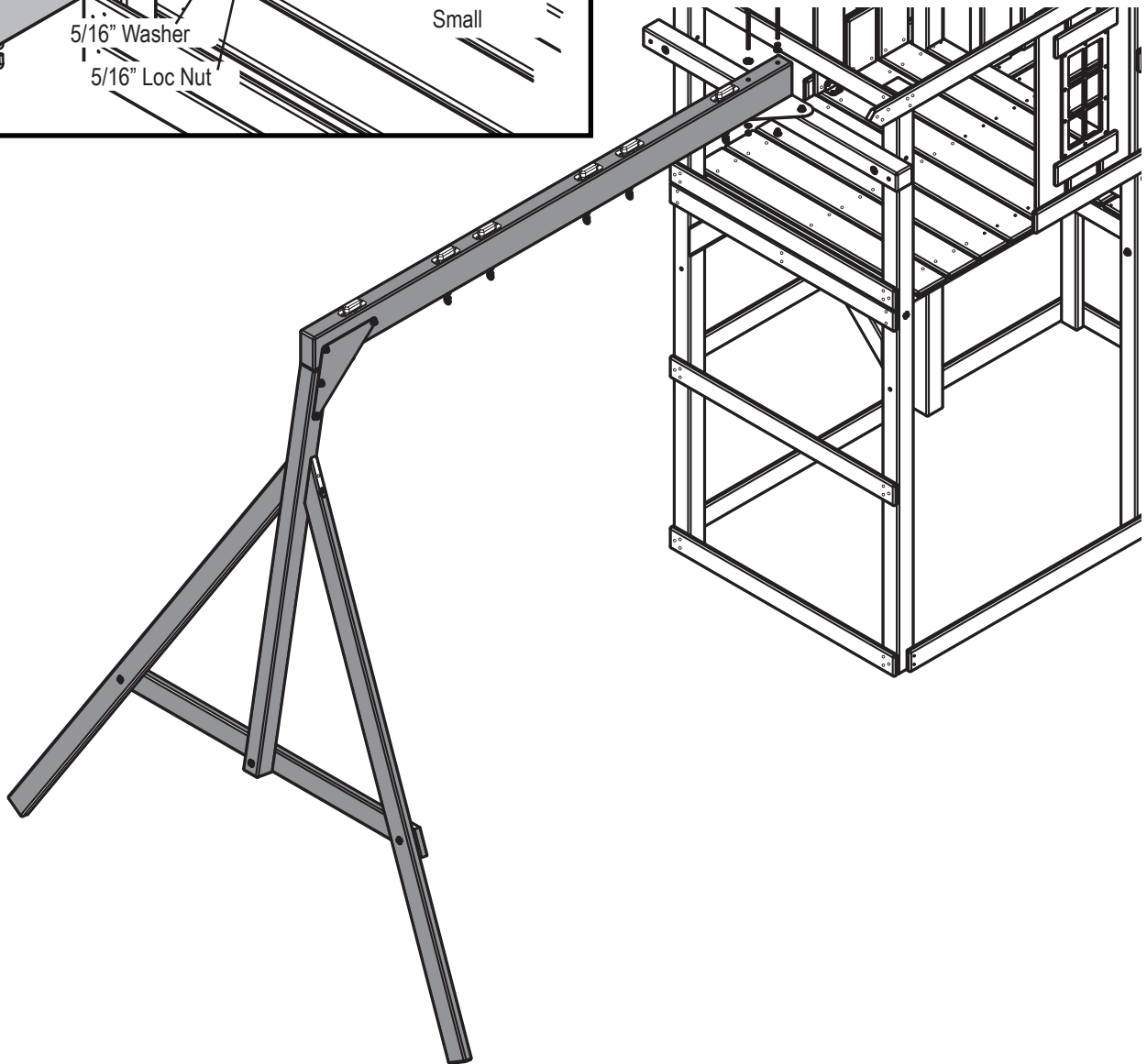
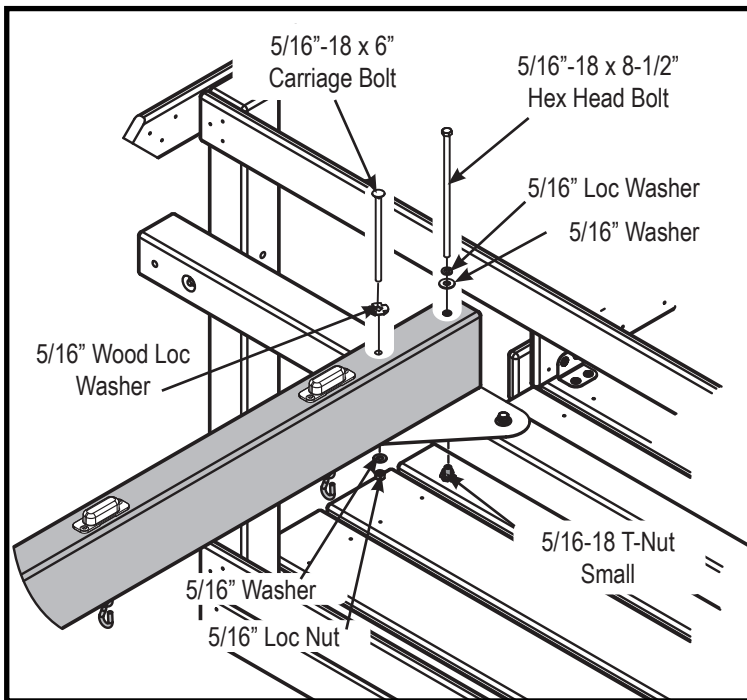
1. Attach Swing Beam Bracket to A-Frame & Swing Beam as shown.

STEP 25



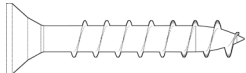
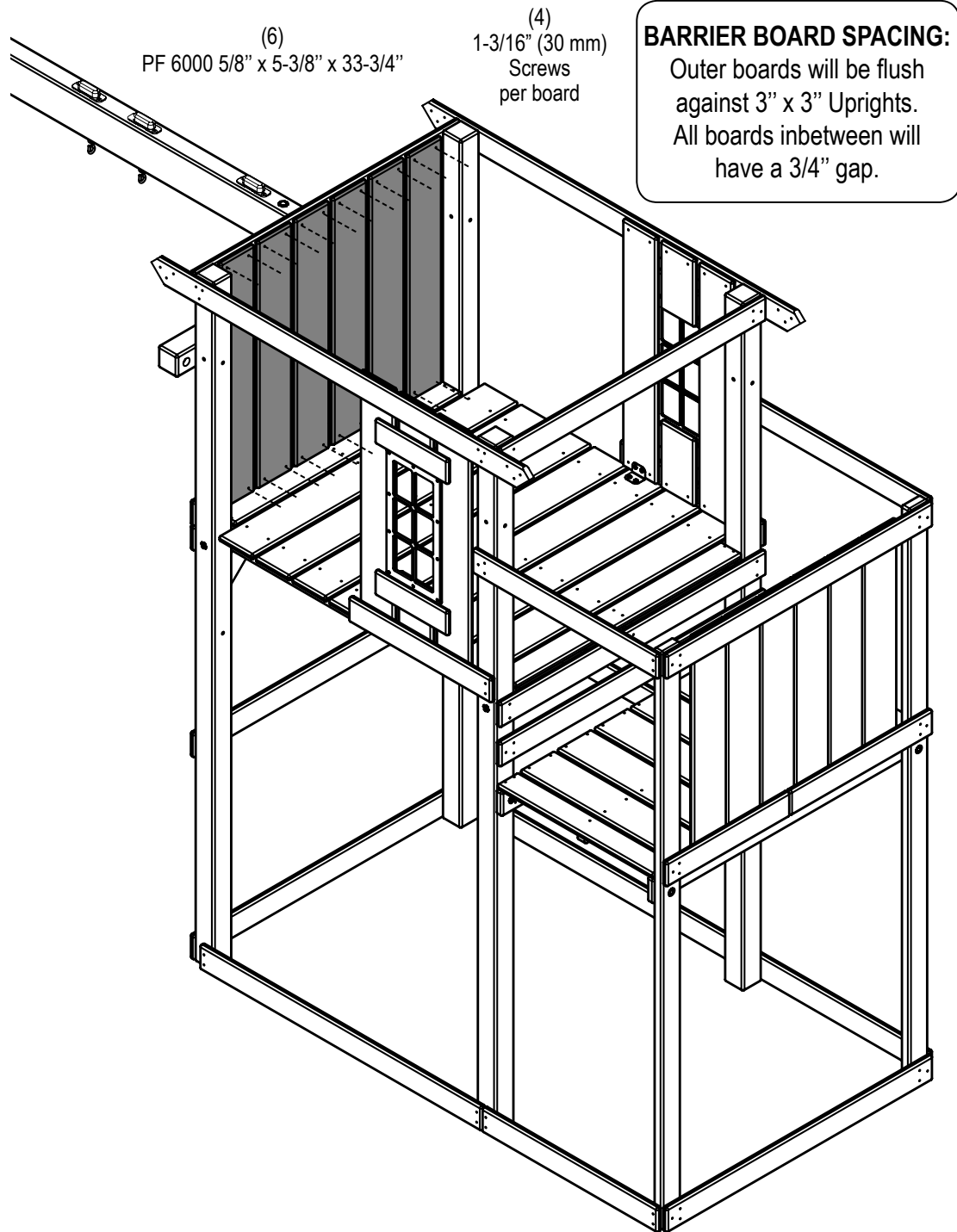
1. Install Swing Beam Brace as shown.

STEP 26



1. Install Swing Beam as shown.

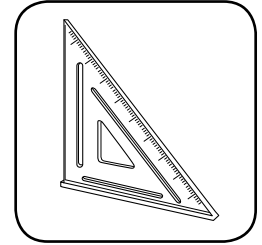
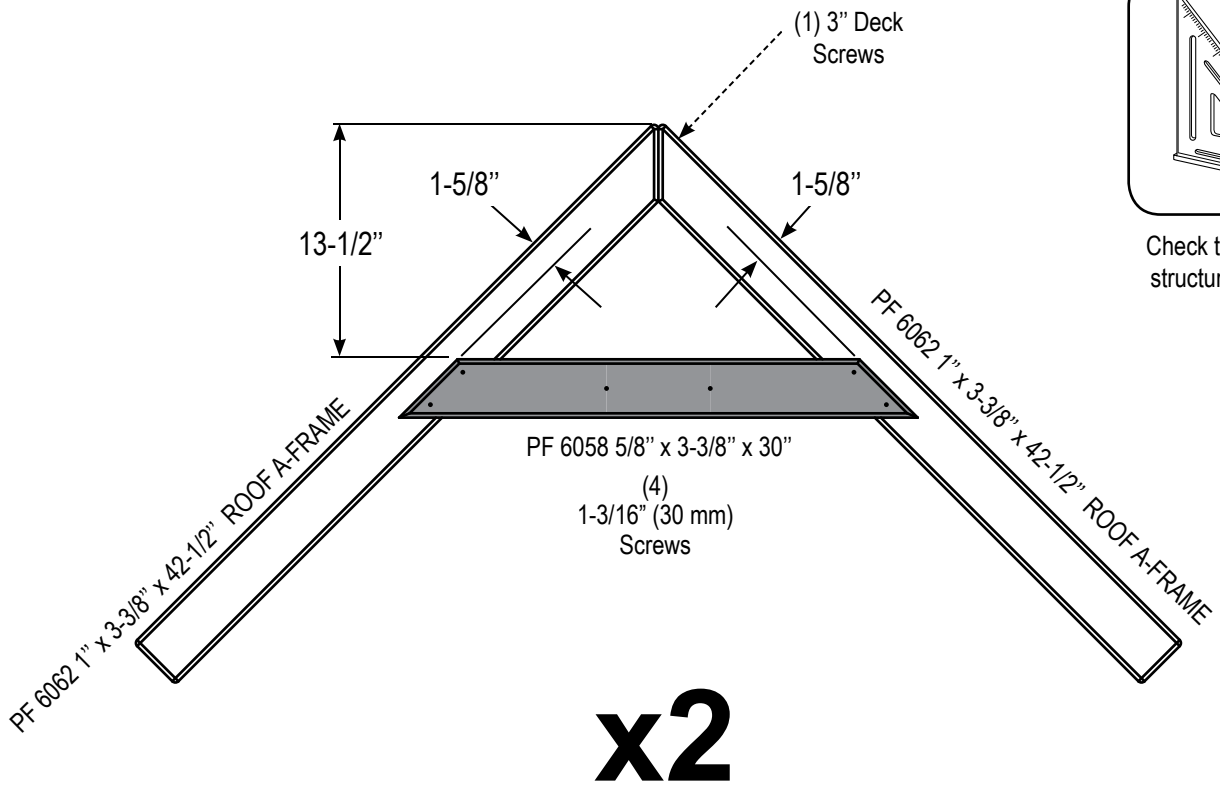
STEP 27



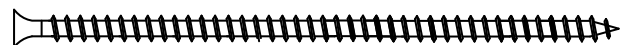
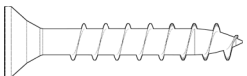
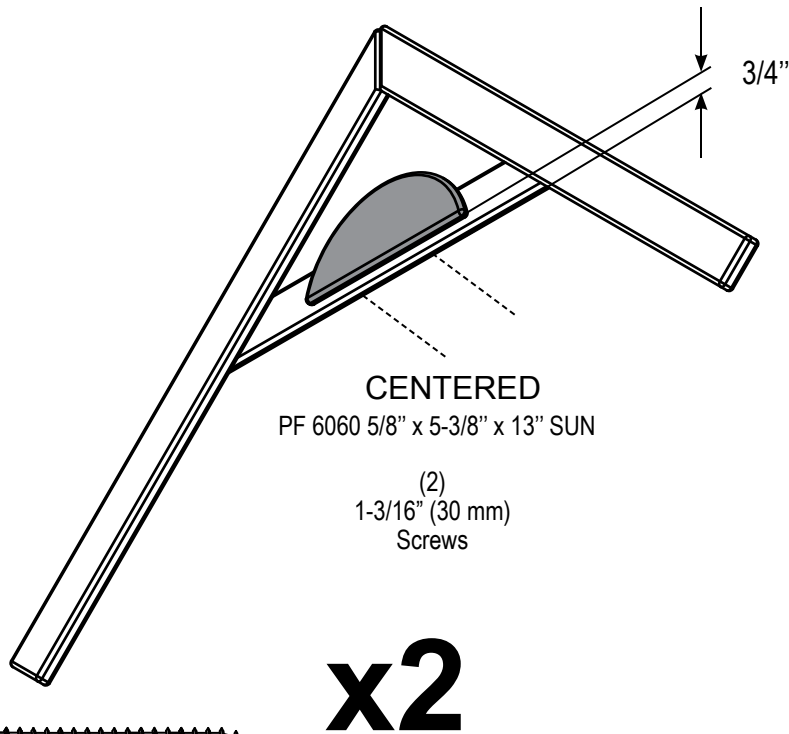
1-3/16" (30 mm) Deck Screw (x24)

1. Install Barrier Boards as shown.

STEP 28

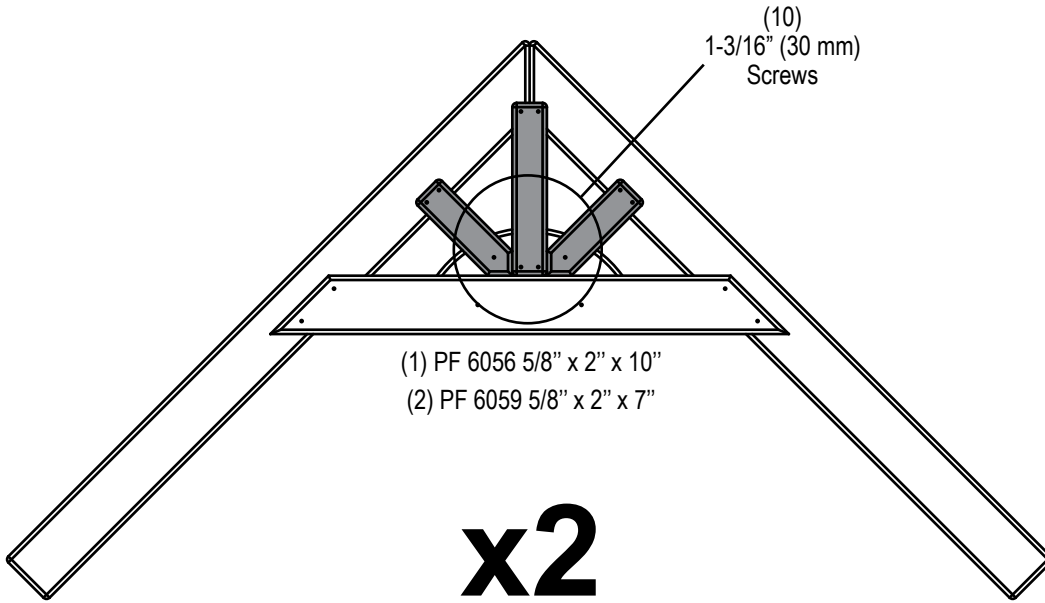


Check to make sure structure is square.



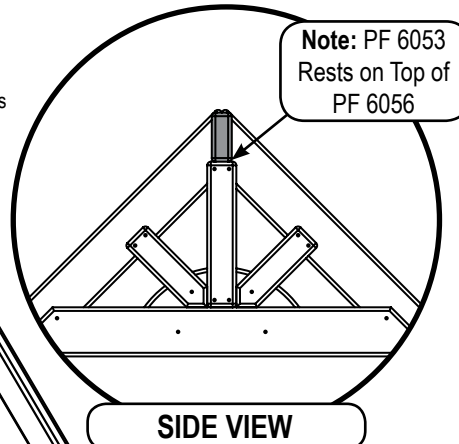
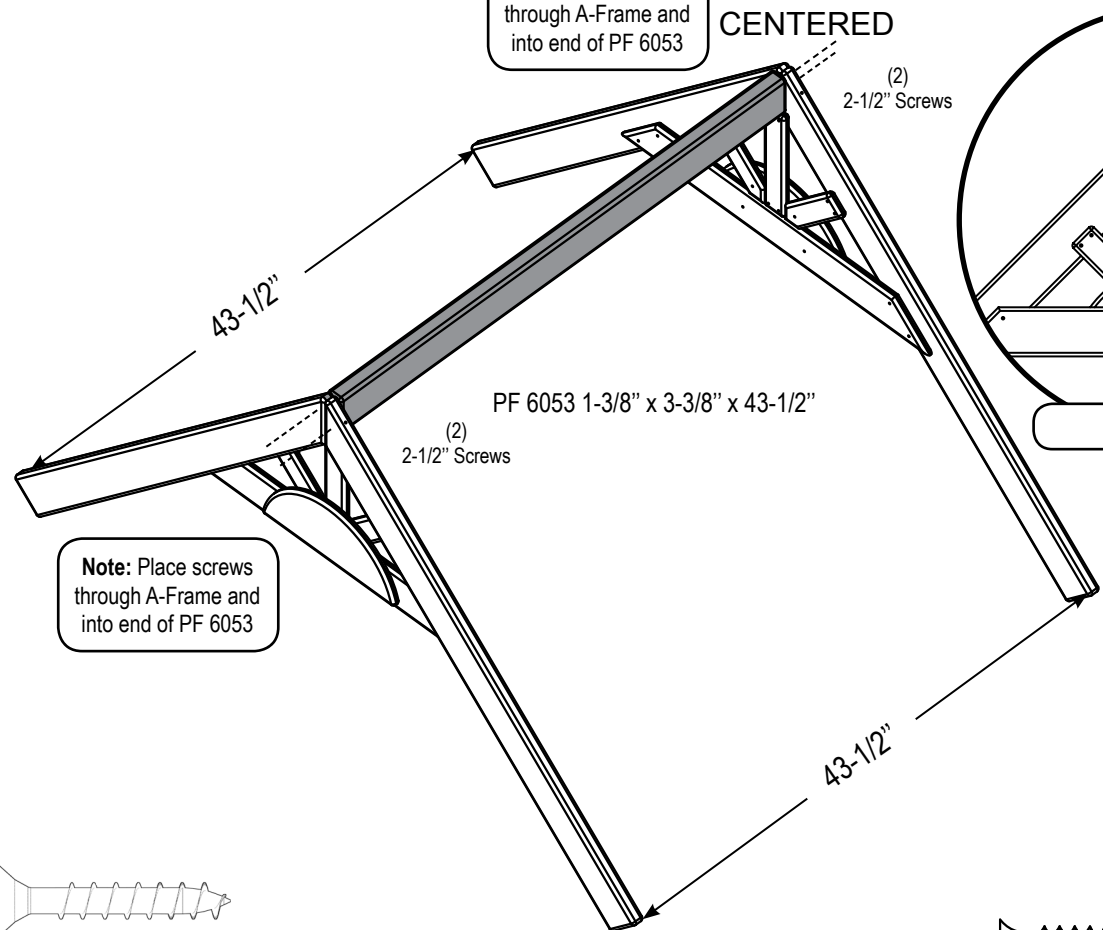
1. Assemble Roof A-Frames as shown.

STEP 29

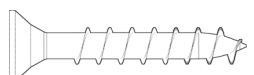


Note: Place screws through A-Frame and into end of PF 6053

CENTERED



Note: Place screws through A-Frame and into end of PF 6053



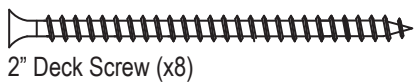
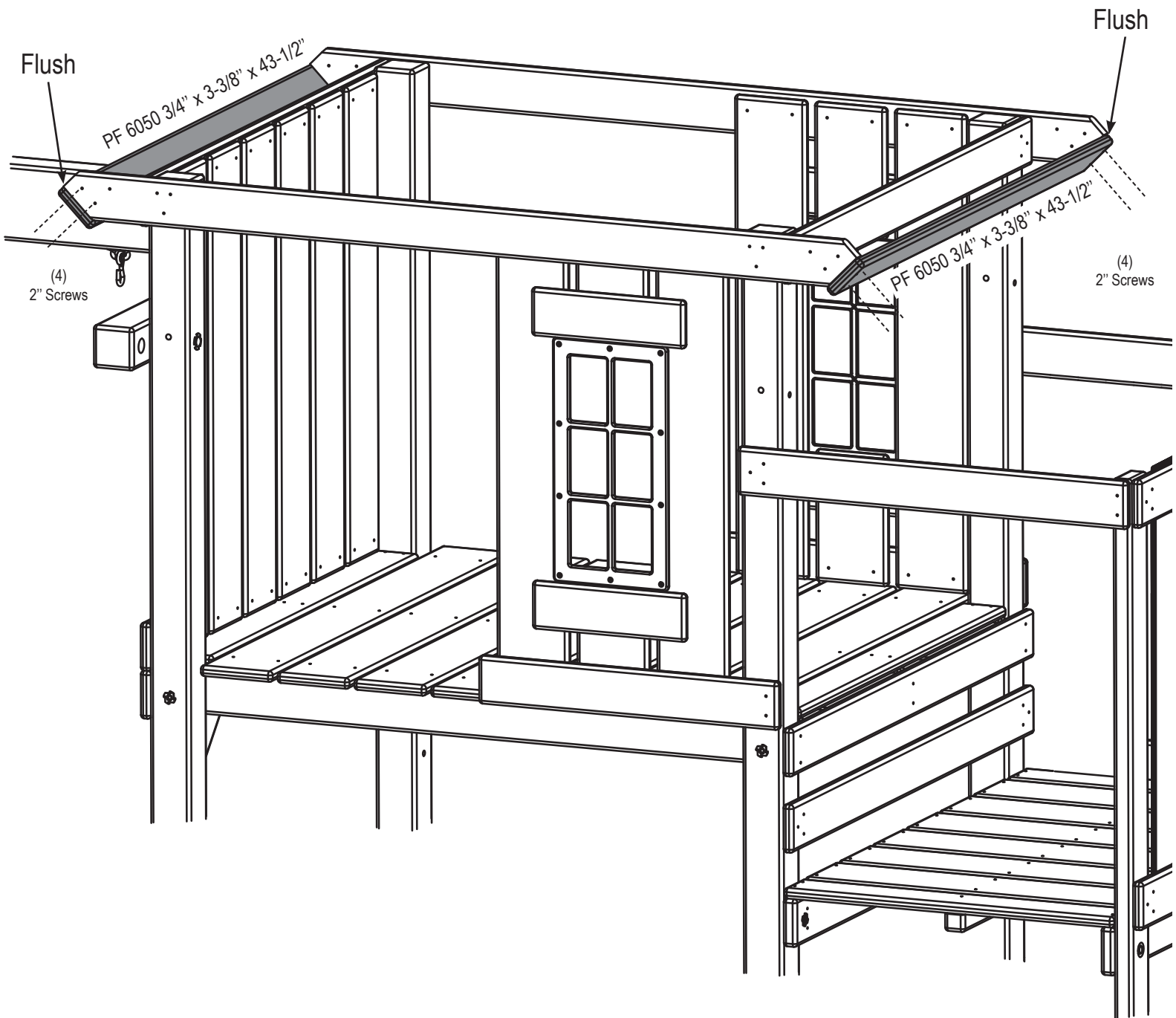
1-3/16" (30 mm) Deck Screw (x20)



2-1/2" Deck Screw (x4)

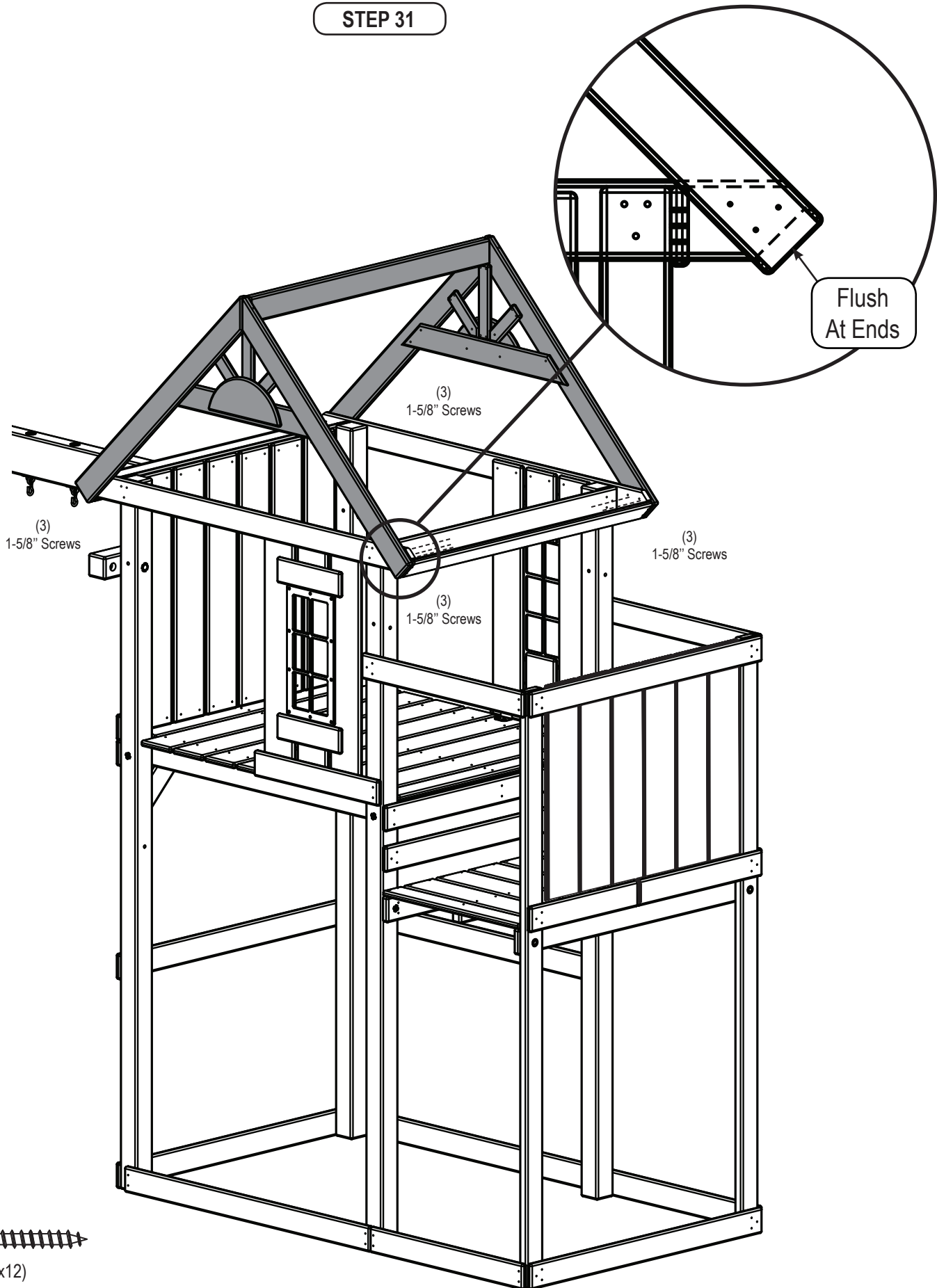
1. Assemble the Roof frame as shown.

STEP 30



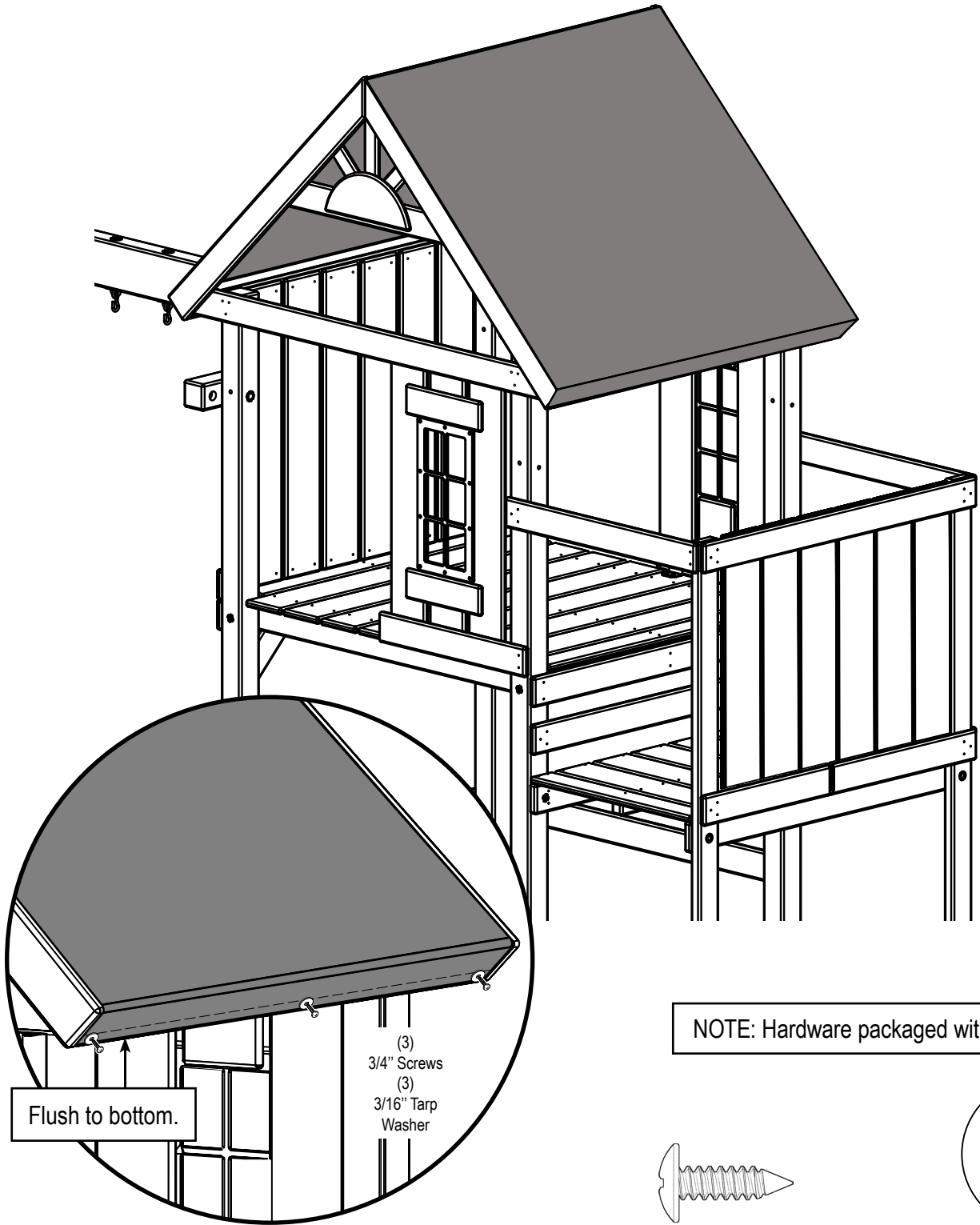
1. Attach Roof Side Support Boards as shown.

STEP 31



1. Attach Roof Frame to Tower as shown.

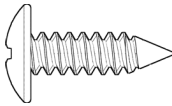
STEP 32



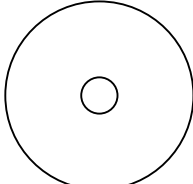
Flush to bottom.

- (3)
3/4" Screws
- (3)
3/16" Tarp
Washer

NOTE: Hardware packaged with tarp.



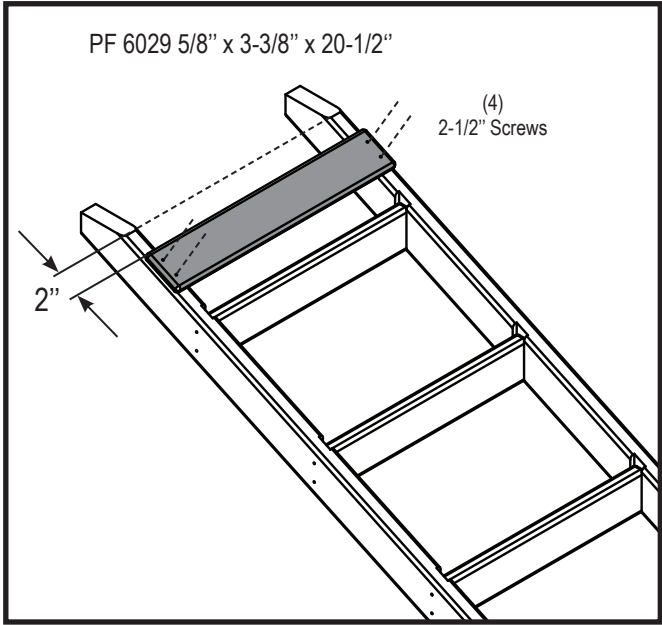
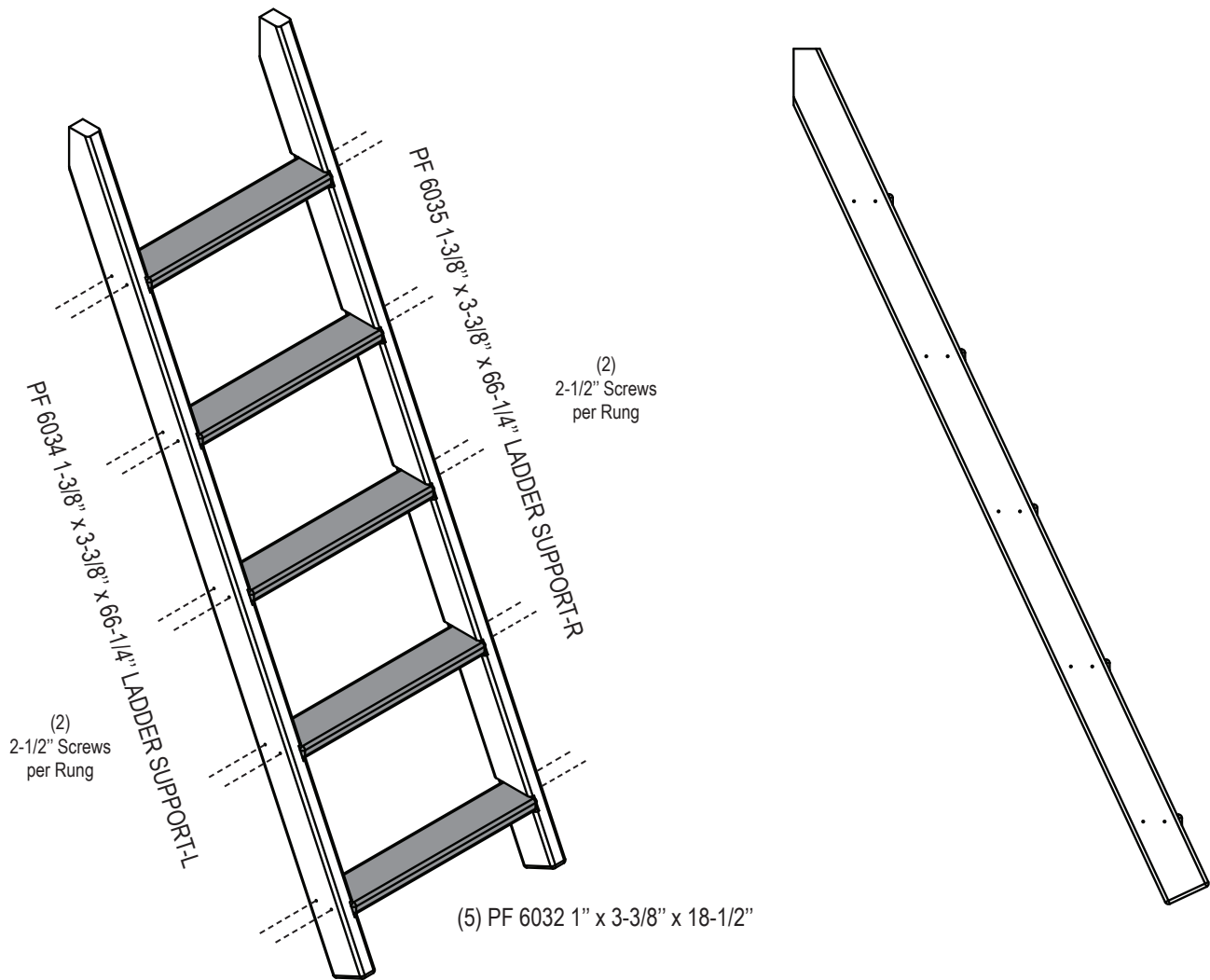
3/4" Pan Head Screw (x6)



3/16" Tarp Washer (x6)

1. Attach Tarp as shown.
Note: Wrap Tarp around each end board and secure from inside of roof, as shown.

STEP 33



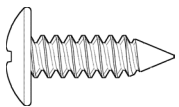
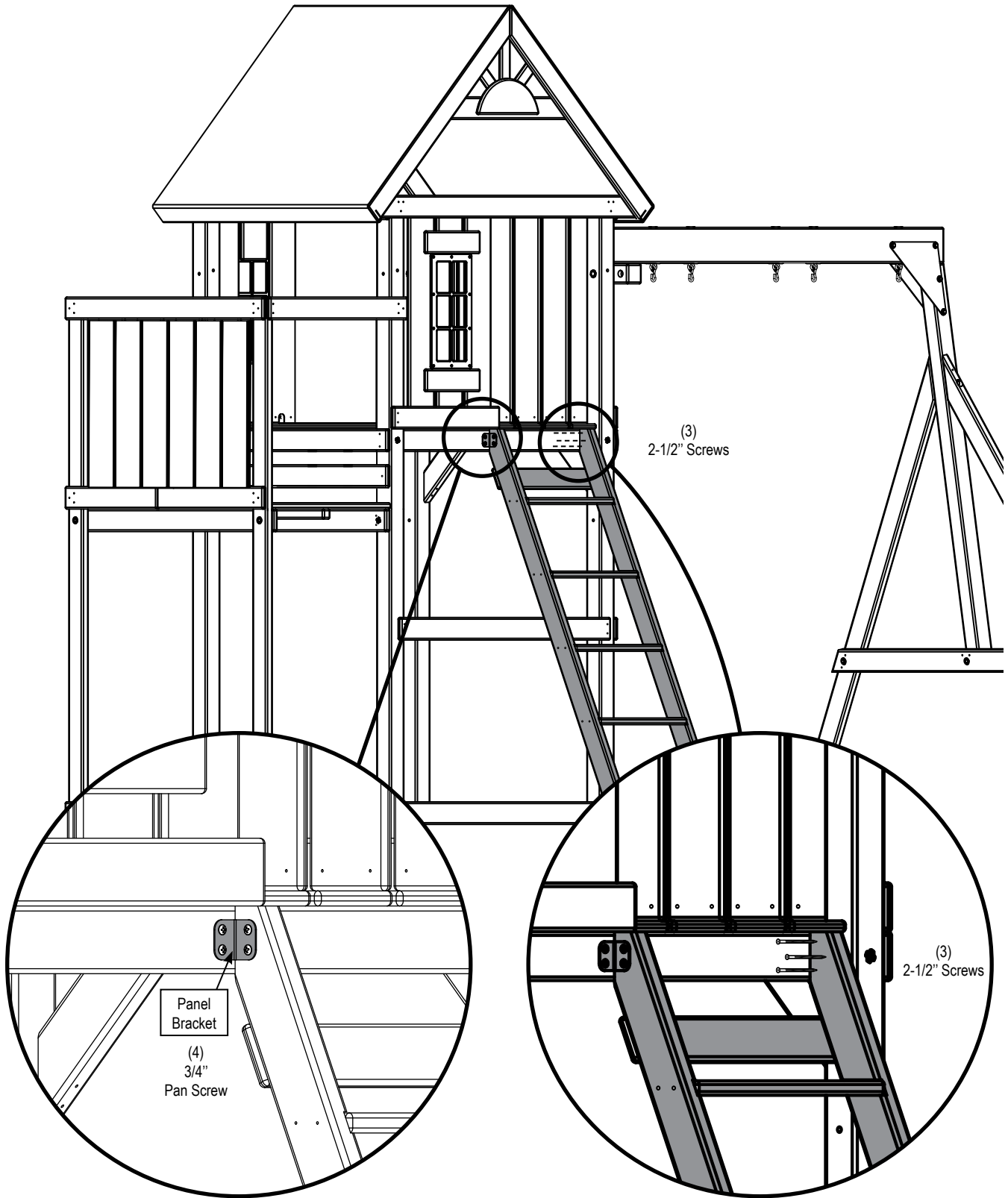
Hint!! Use parts and hardware from your Ladder Box.



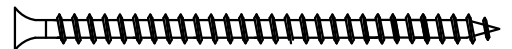
2-1/2" Deck Screw (x24)

1. Assembly Ladder as shown.

STEP 34



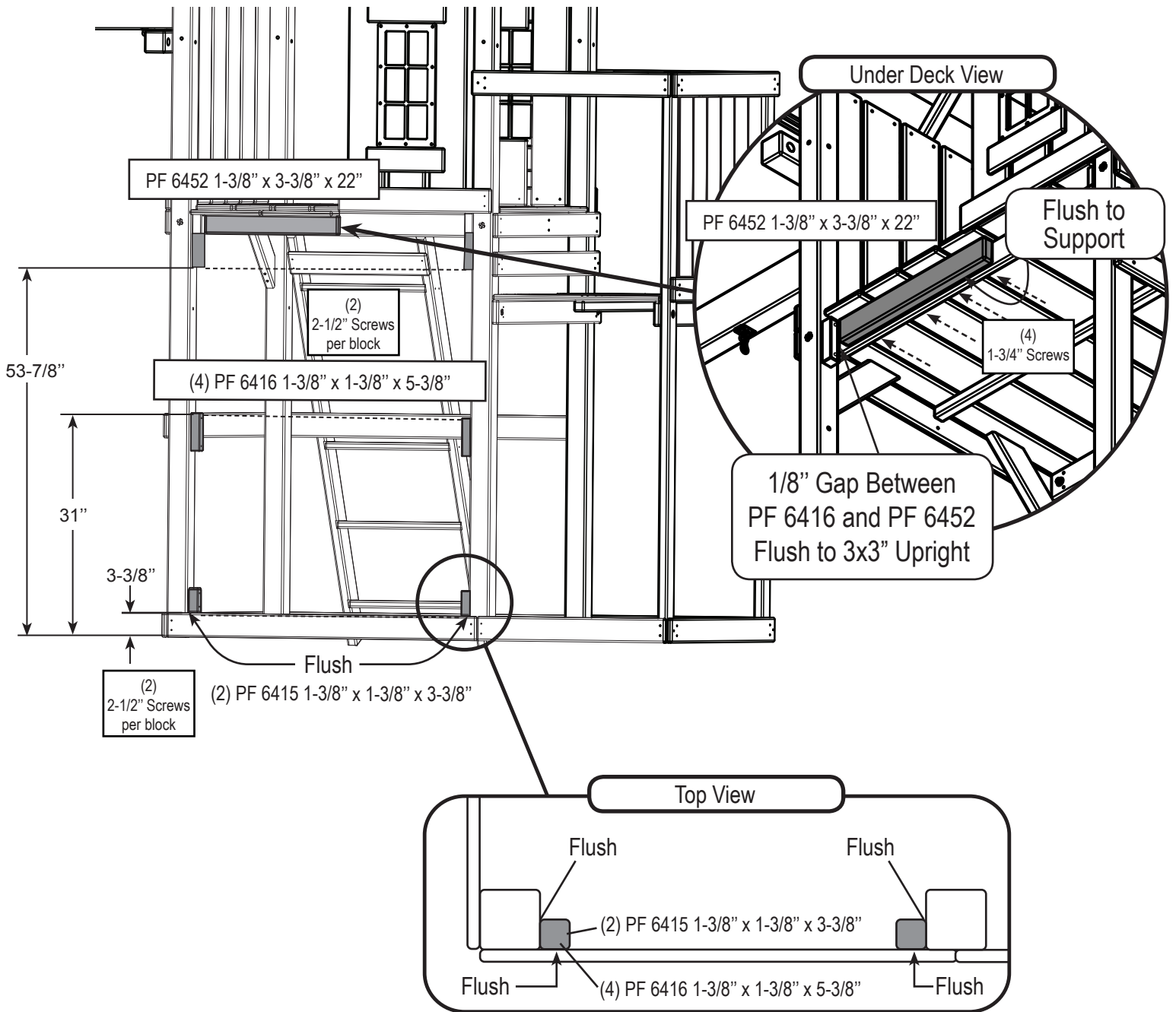
#12 x 3/4" Pan Screw (x4)



2-1/2" Deck Screw (x3)

1. Attach Ladder to Tower as shown.

STEP 35



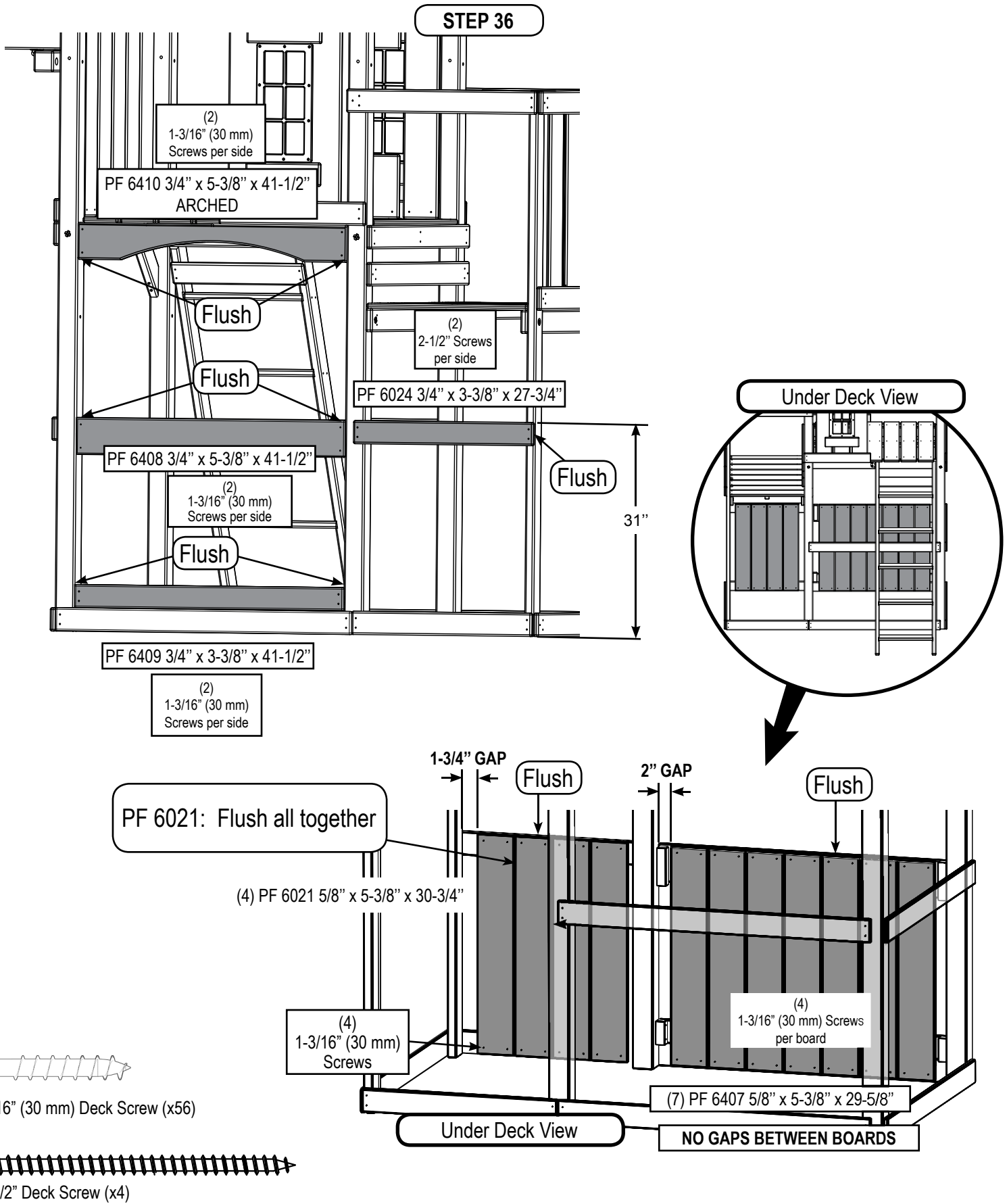
1-3/4" Deck Screw (x4)



2-1/2" Deck Screw (x12)

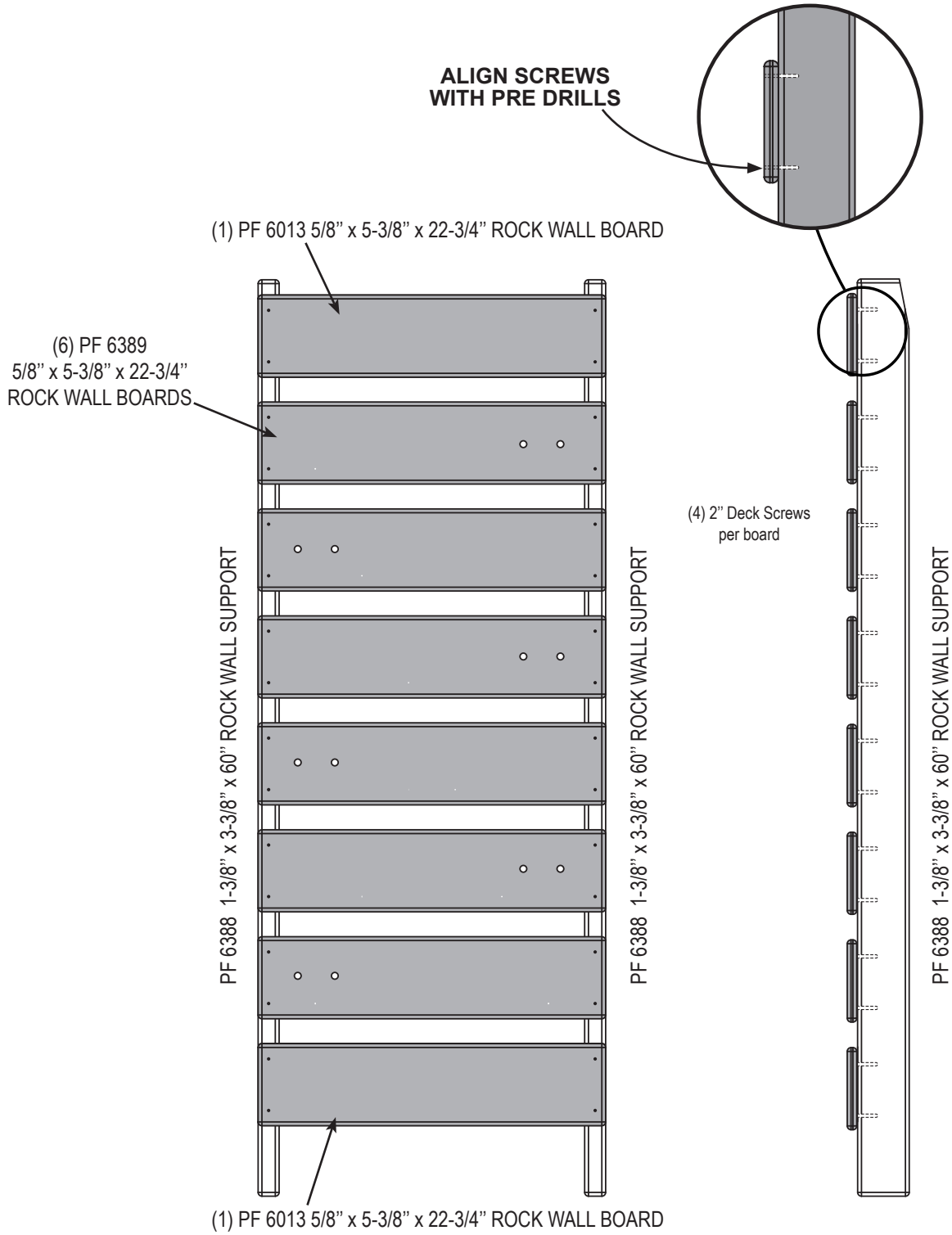
1. Attach support boards as shown.
HINT: Use boards from Fort Enclosure.

STEP 36



1. Install Enclosure Boards as shown.
2. Install Barrier Boards as shown.

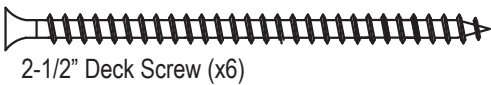
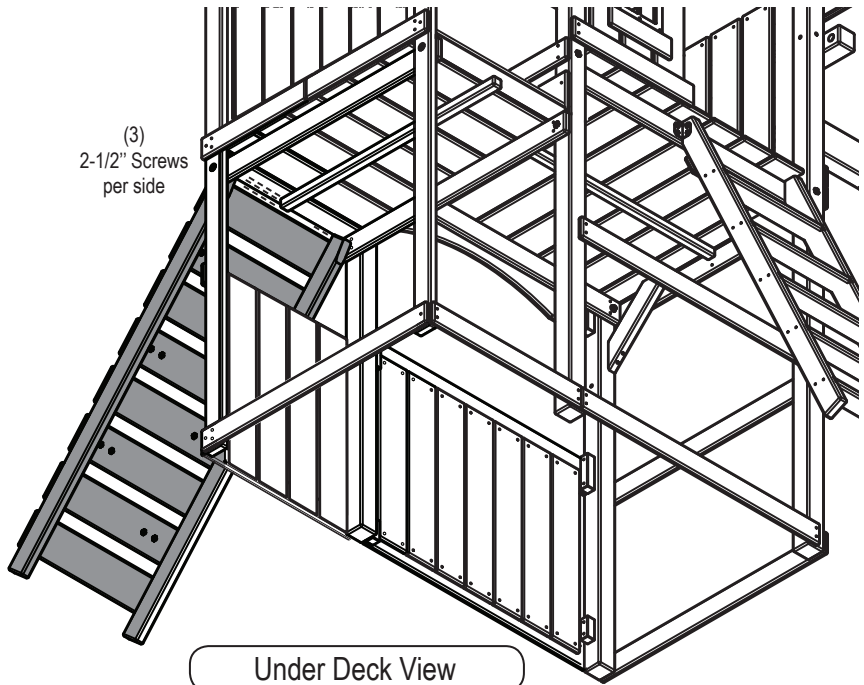
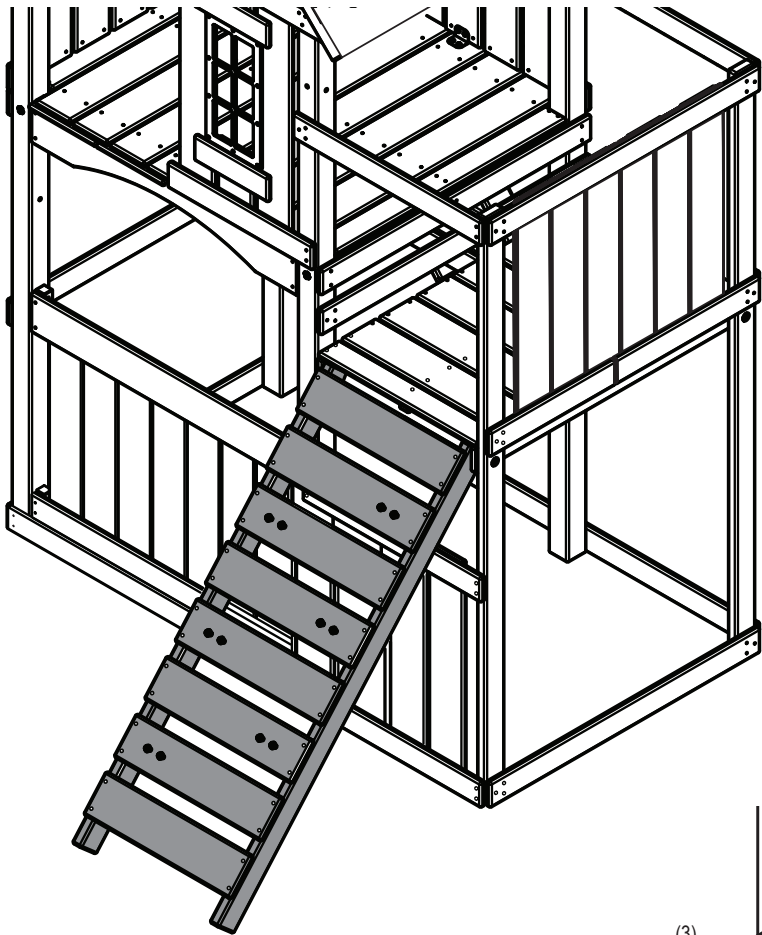
STEP 37



2" Deck Screw (x32)

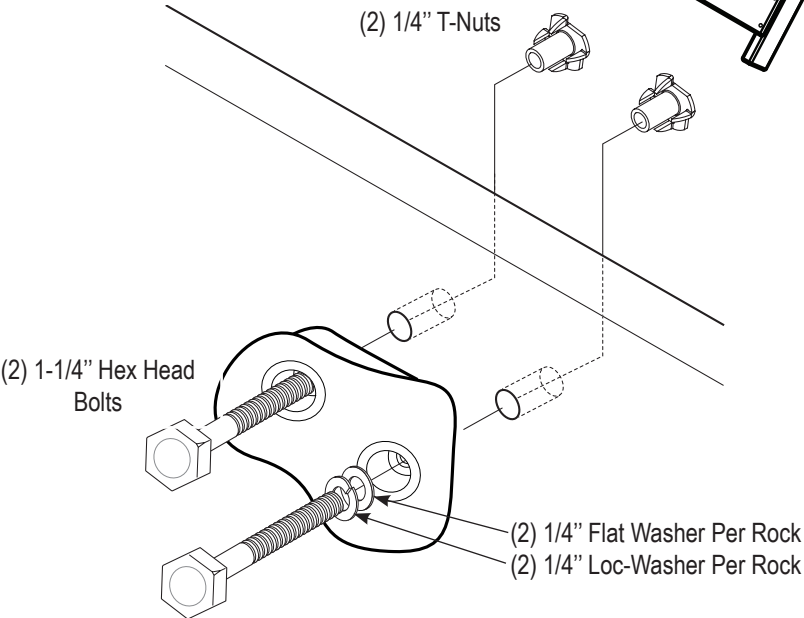
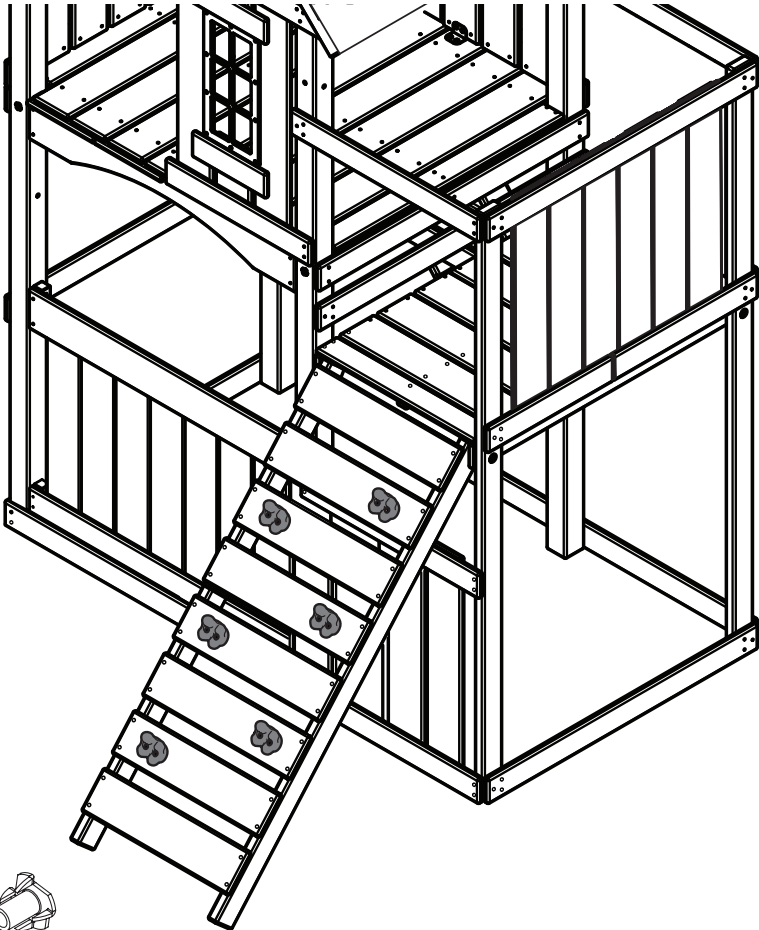
1. Align and install Rock Wall Boards to the image above.

STEP 38



1. Attach Rock Wall as shown.

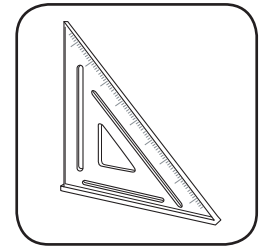
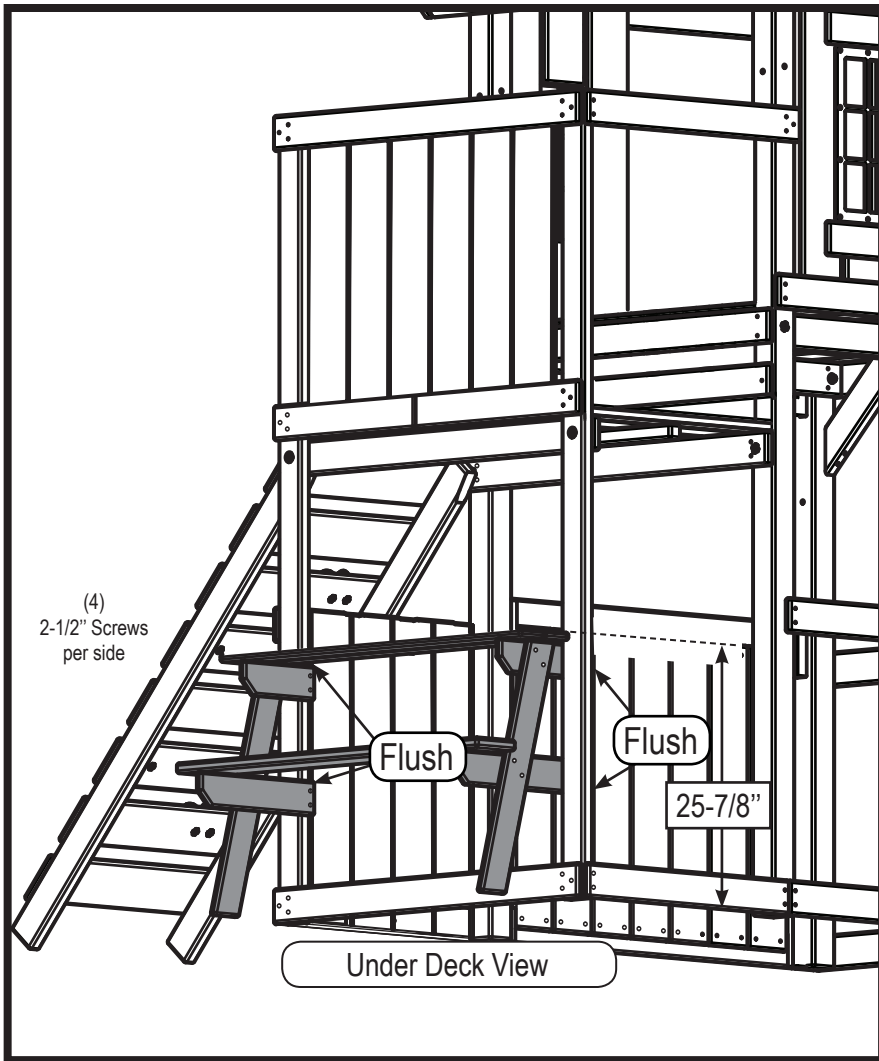
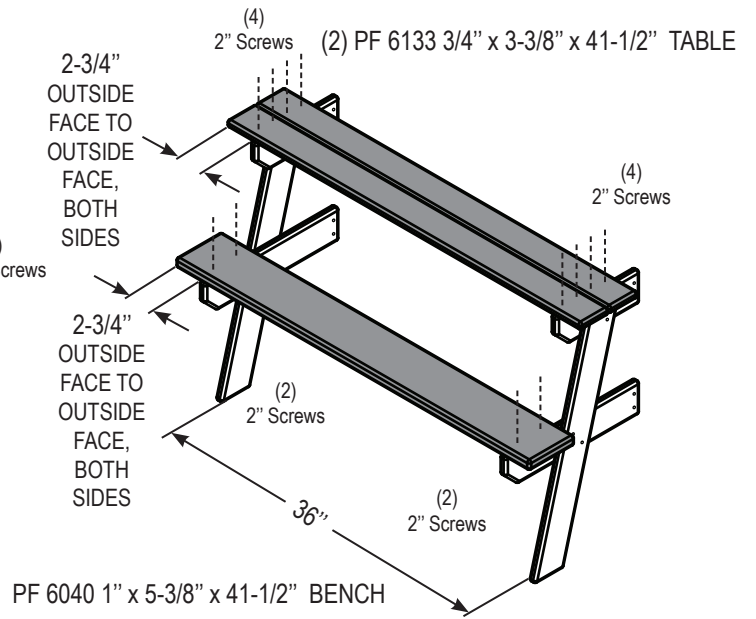
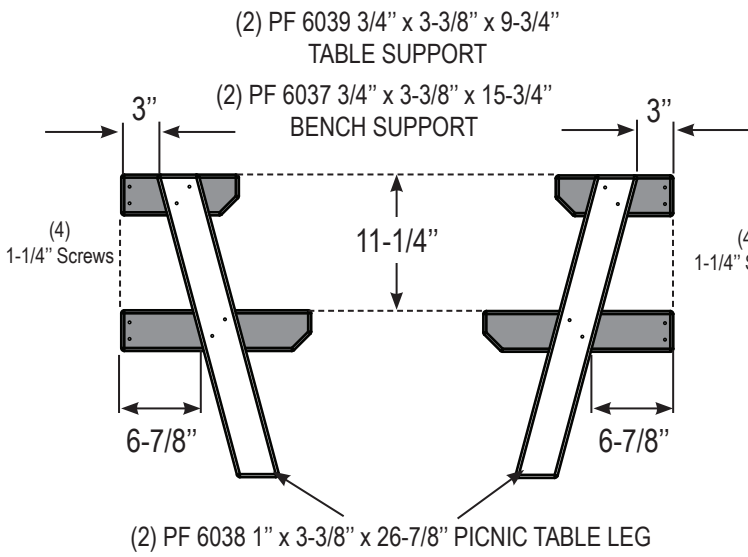
STEP 39



NOTE: Hardware packaged with rocks in bag.

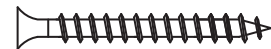
1. Attach Climbing Rocks as shown.

STEP 40



Check to make sure structure is square.

Hint! Use parts and hardware from your Table Box.



1-1/4" Deck Screw (x8)



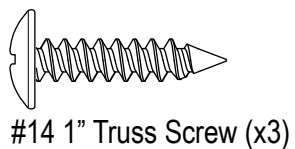
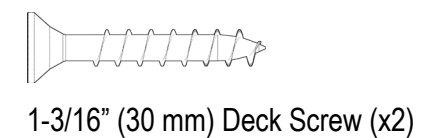
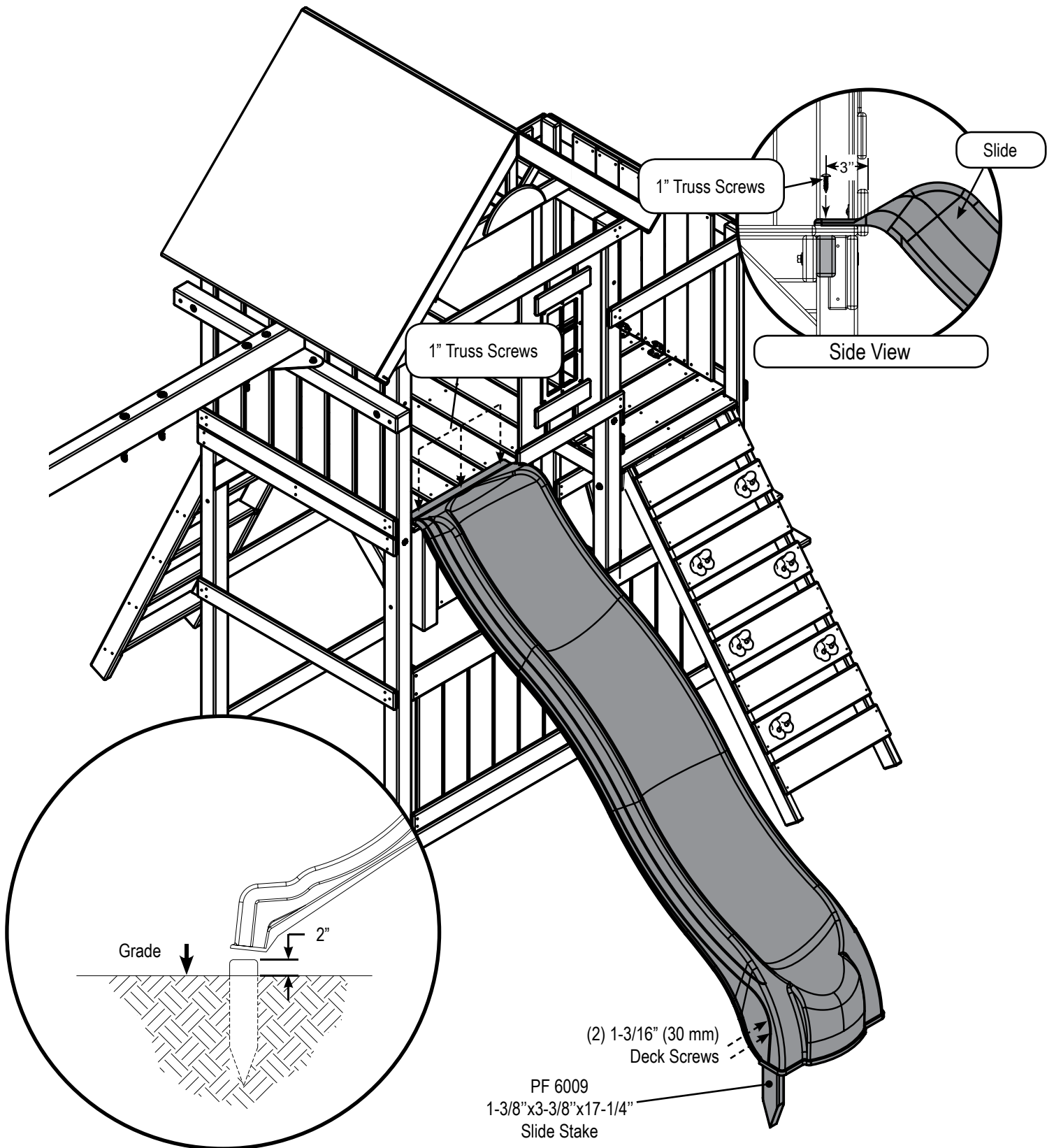
2" Deck Screw (x12)



2-1/2" Deck Screw (x8)

1. Assemble and install Picnic Table as shown.

STEP 41

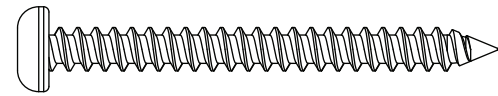
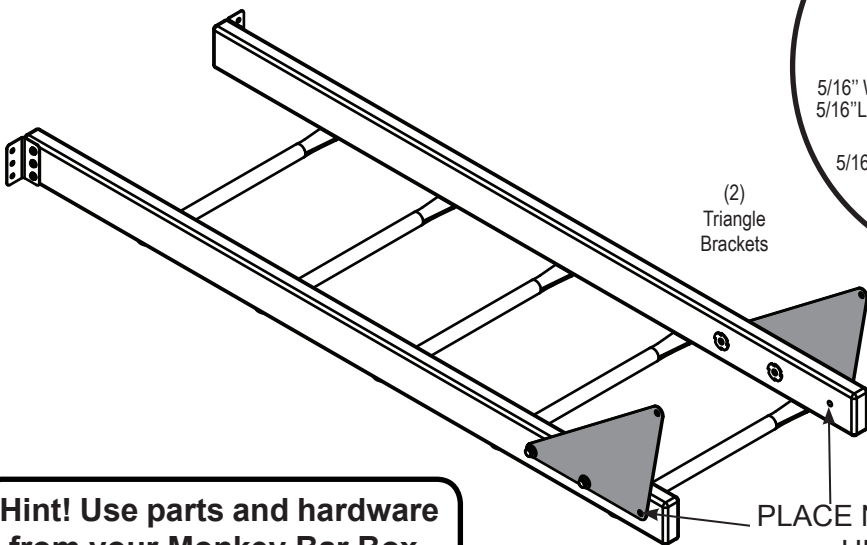
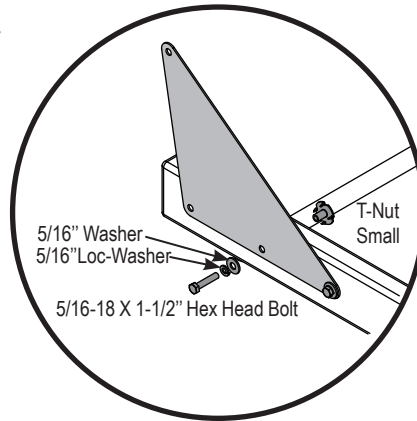
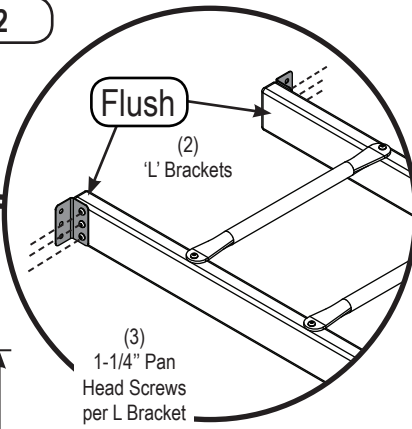
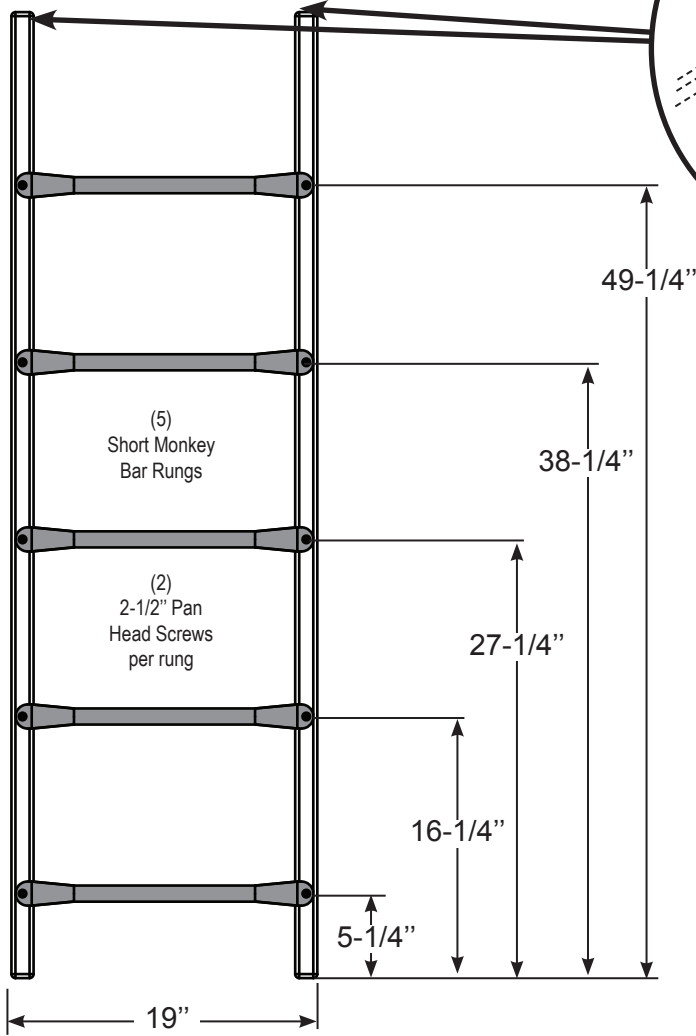


(2) 1-3/16" (30 mm) Deck Screws
PF 6009
1-3/8"x3-3/8"x17-1/4"
Slide Stake

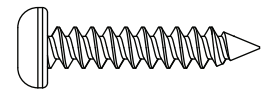
1. Attach slide as shown.

STEP 42

(2) PF 6043 1-3/8" x 3-3/8" x 60"



2-1/2" Pan Head Screw (x10)

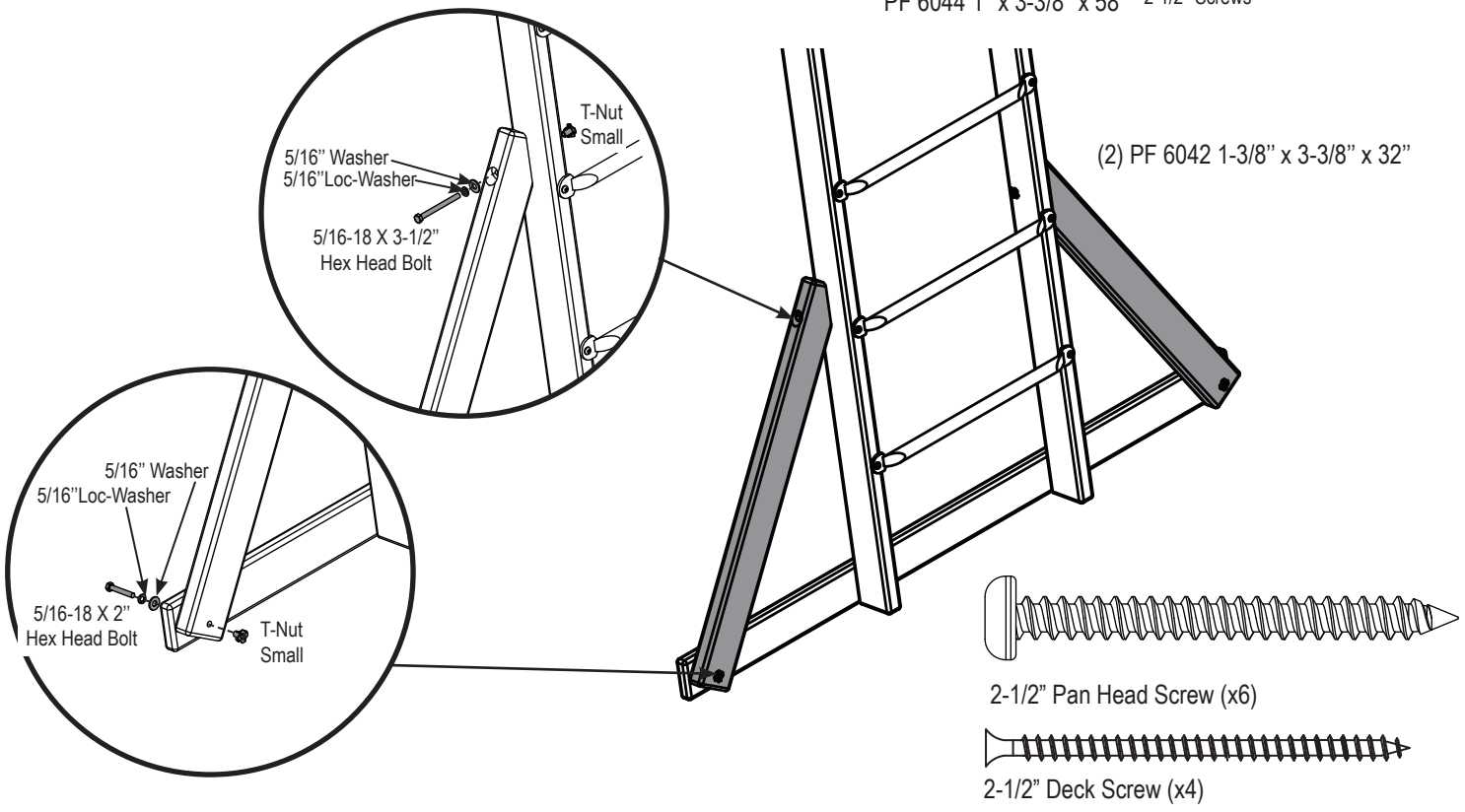
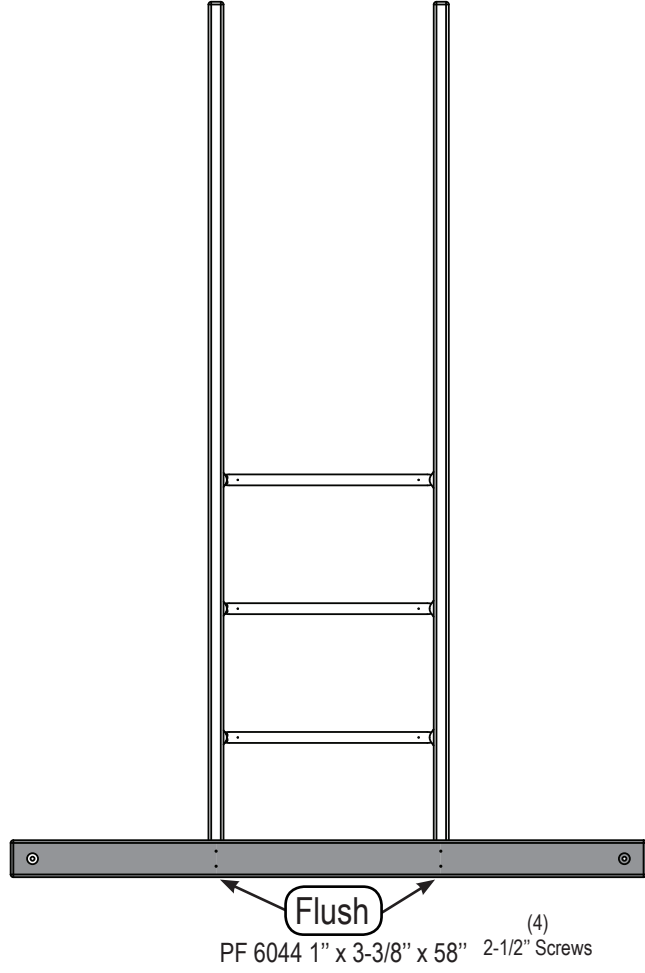
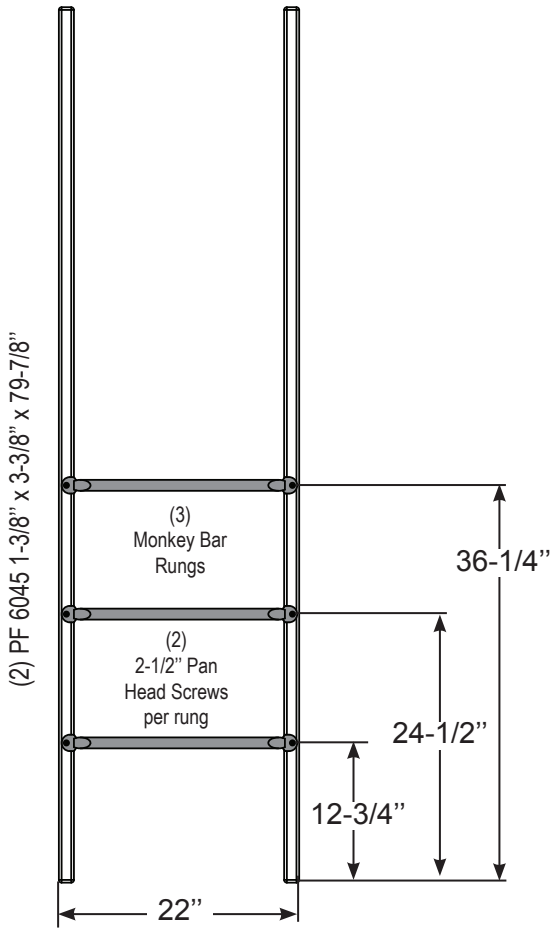


1-1/4" Pan Head Screw (x6)

Hint! Use parts and hardware from your Monkey Bar Box.

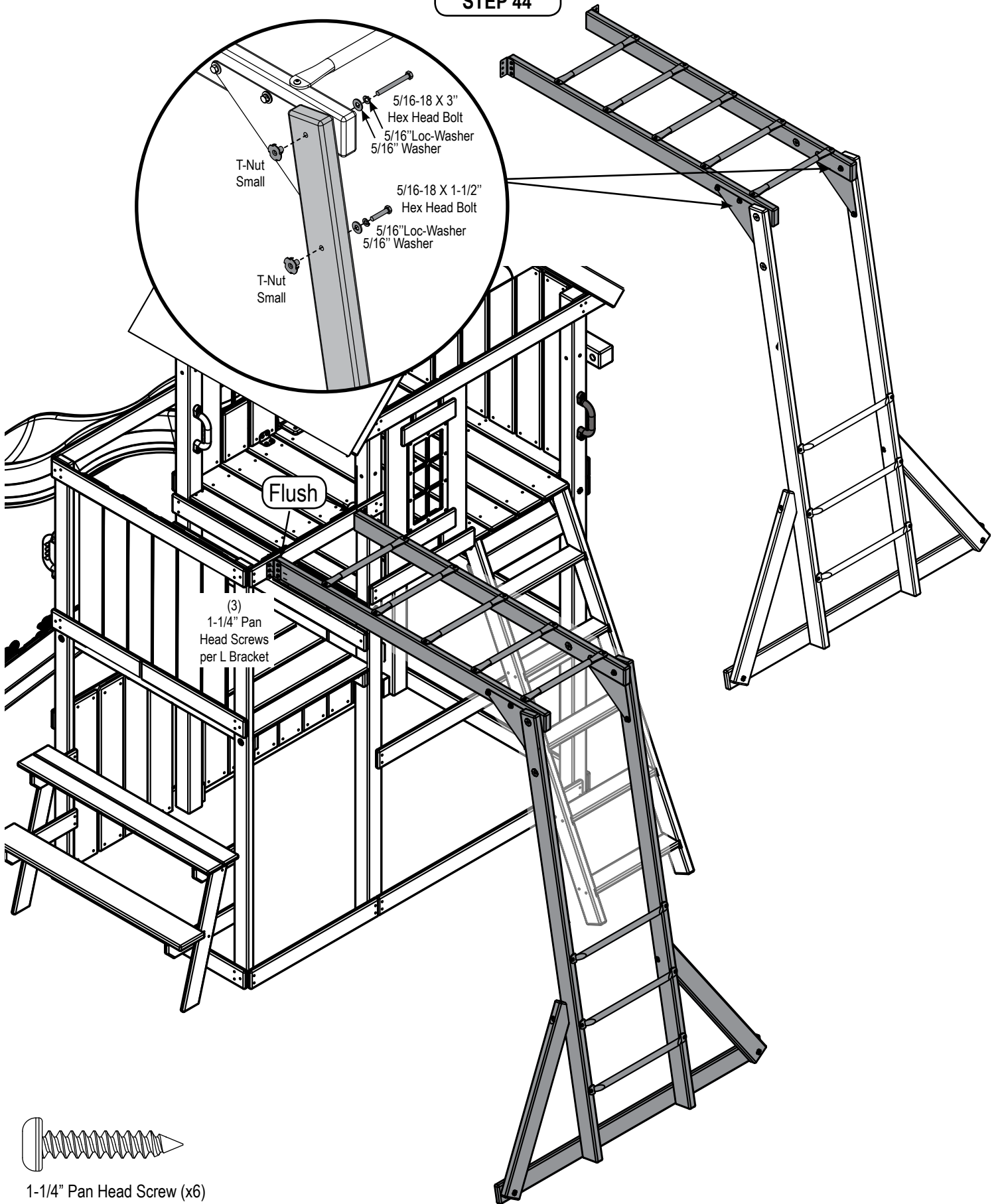
1. Assemble Horizontal Ladder as shown.

STEP 43



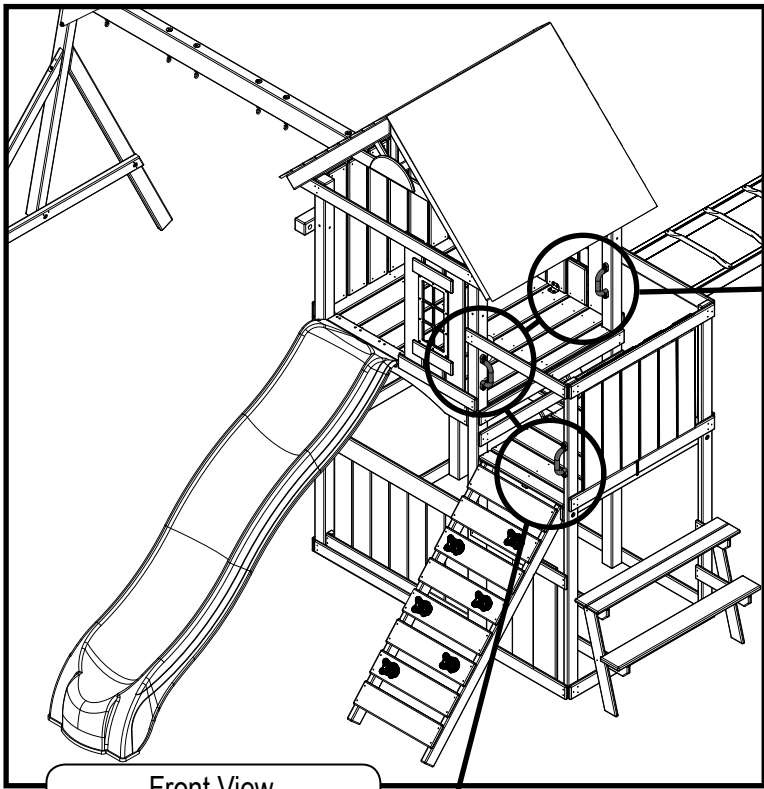
1. Assemble vertical ladder as shown.

STEP 44

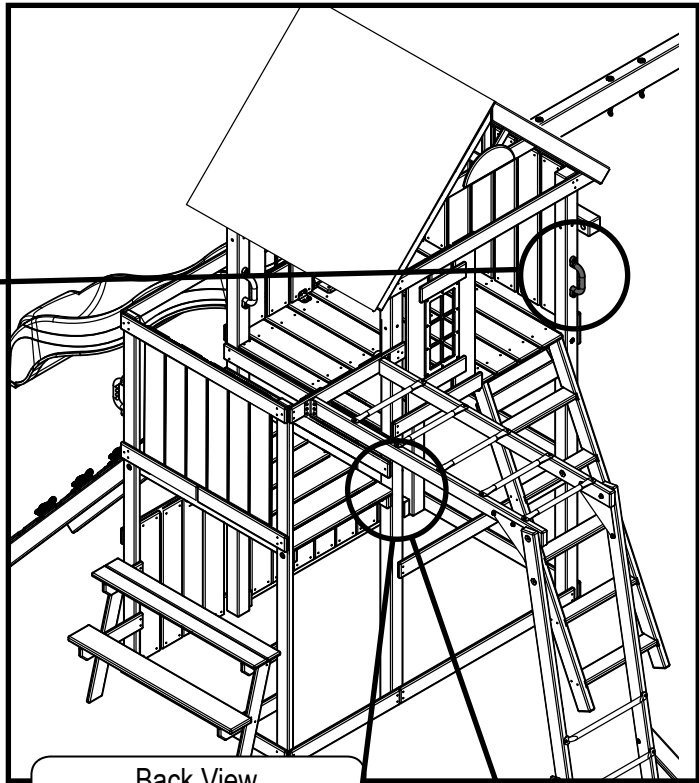


1. Assemble and attach Monkey Bar Assembly as shown.

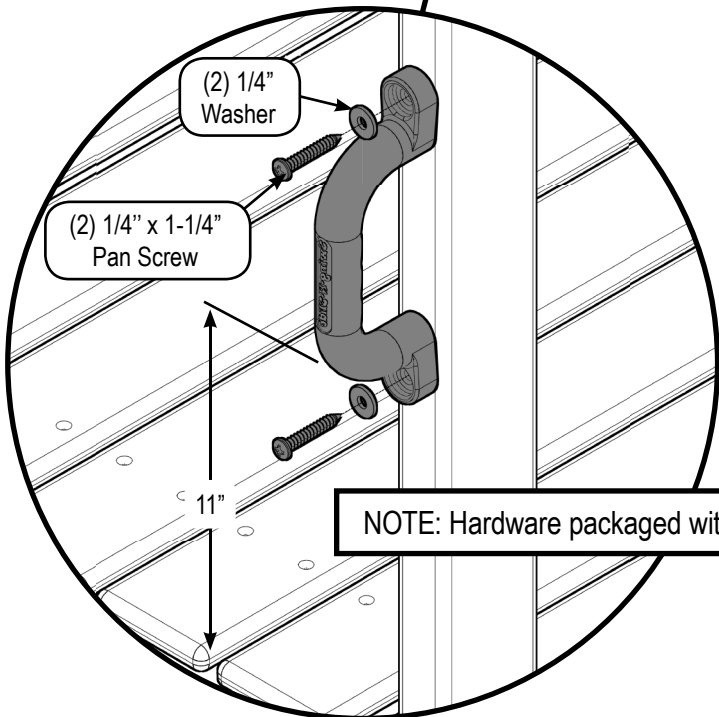
STEP 45



Front View



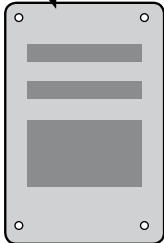
Back View



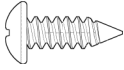
NOTE: Hardware packaged with accessory.



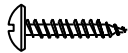
ID Tag - SA 1699



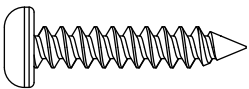
Safety Warning Plate SA 4294



1/2" Pan Screw (x2)



3/4" Pan Screw (x4)



1-1/4" Pan Head Screw (x8)

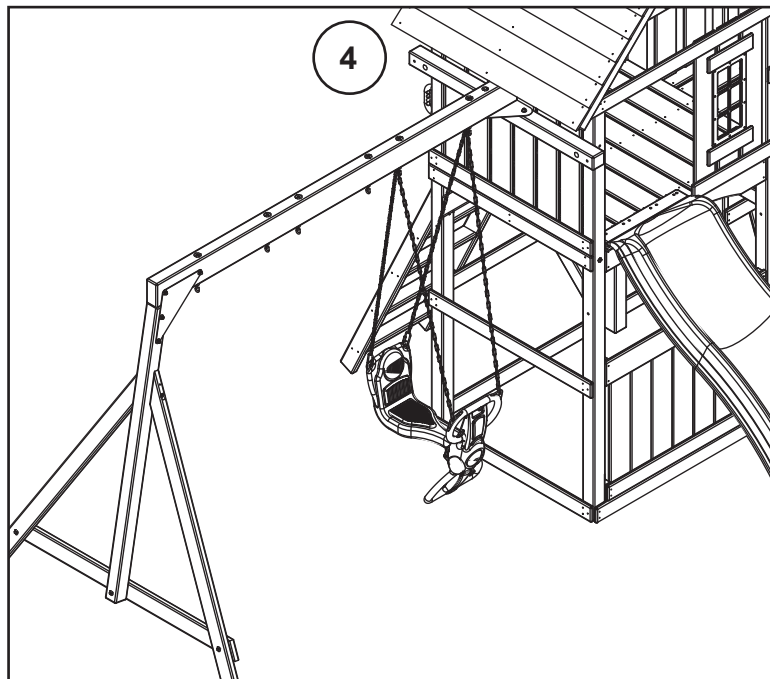
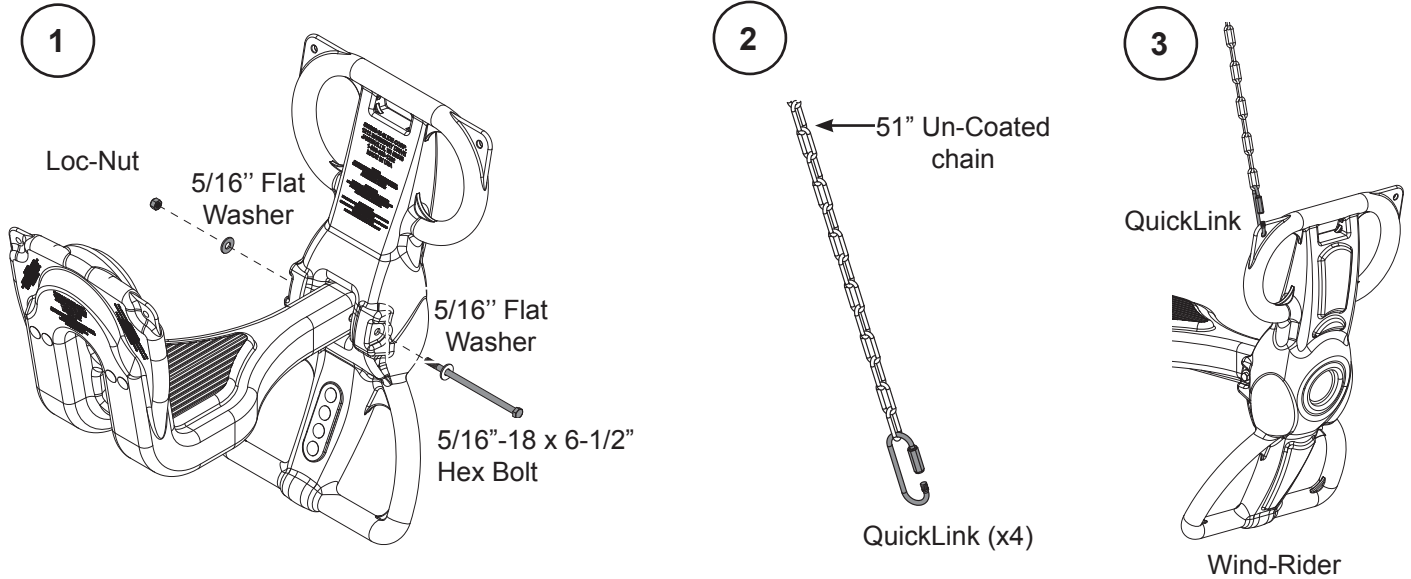


1/4" Flat Washer (x8)

1. Attach Safety Handle, Plate and I.D. Tag, as shown.

STEP 46

Wind Rider & Swing Mounting

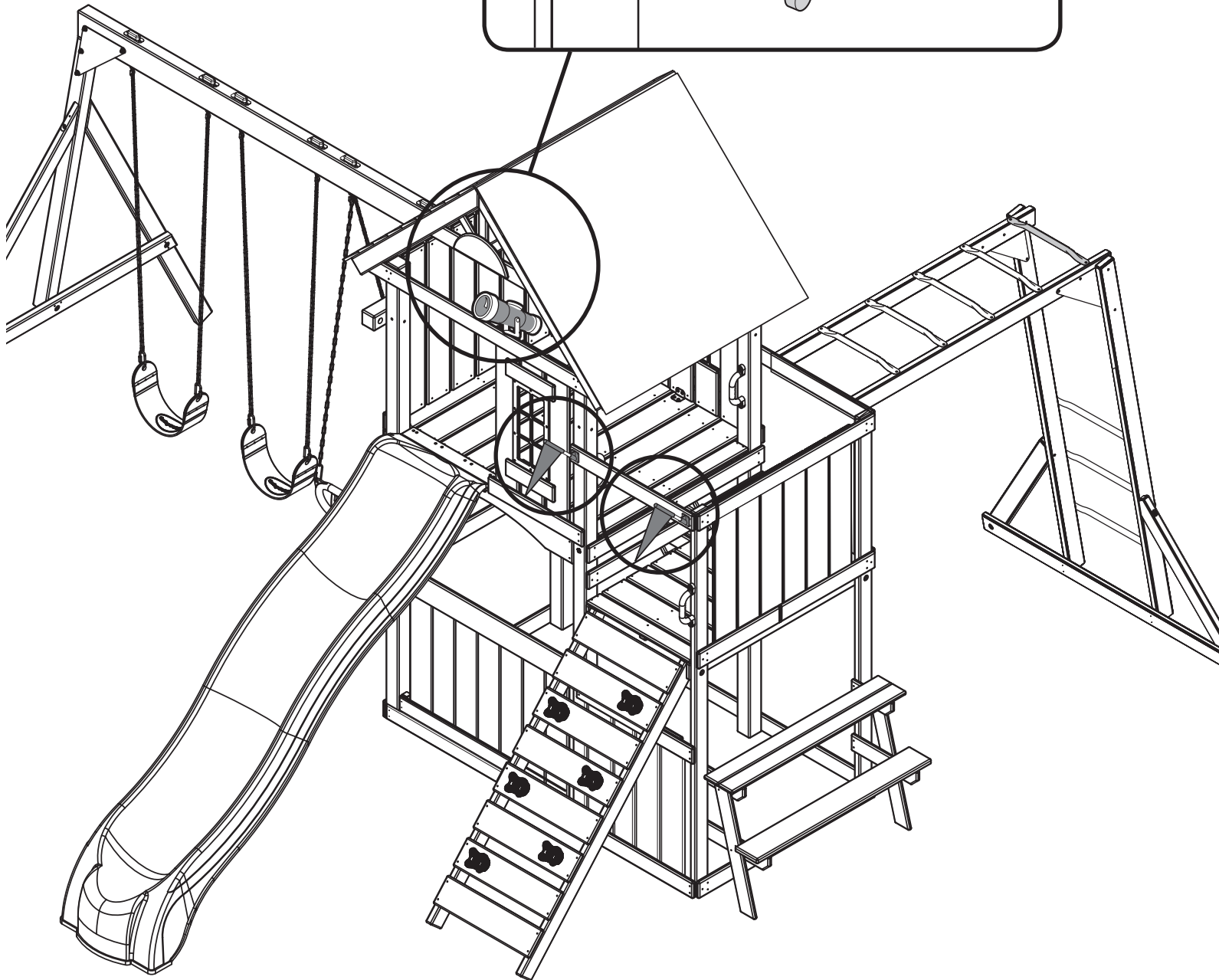
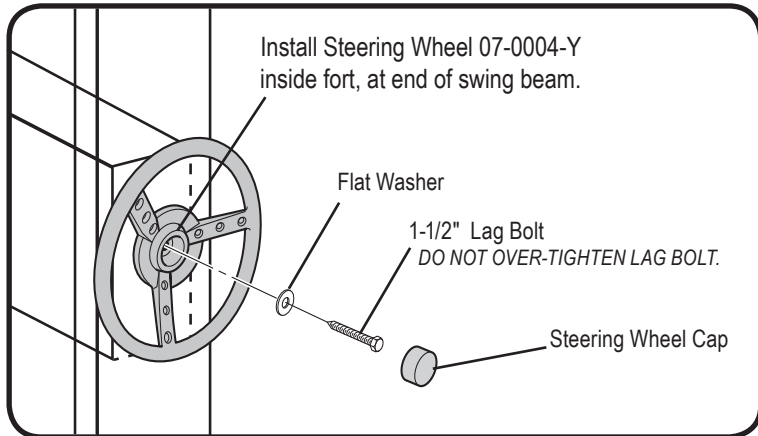


Wind Rider Assembly

1. Insert Seat into Handle as shown in (Step 1). Secure in place with hardware shown.
Note: Make certain no more than two bolt threads protrude from the Loc-Nut once fully tightened.
2. Insert (1) Quick Link into the end of each length of chain, as shown in (Step 2). Make certain the Quick Link is positioned as shown.
3. Using the Quick Link, attach each length of chain to the (4) corners of your swing as shown in (Step 3). Make certain Quick Link is positioned as shown.
4. Attach (2) Chains per Swing Hanger, as shown in (Step 4).
5. Close and tighten all four Quick Links with a suitable wrench.
6. Install Swings onto Spring Clips on Hanger.

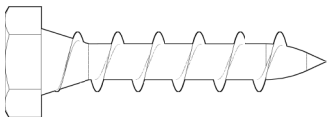
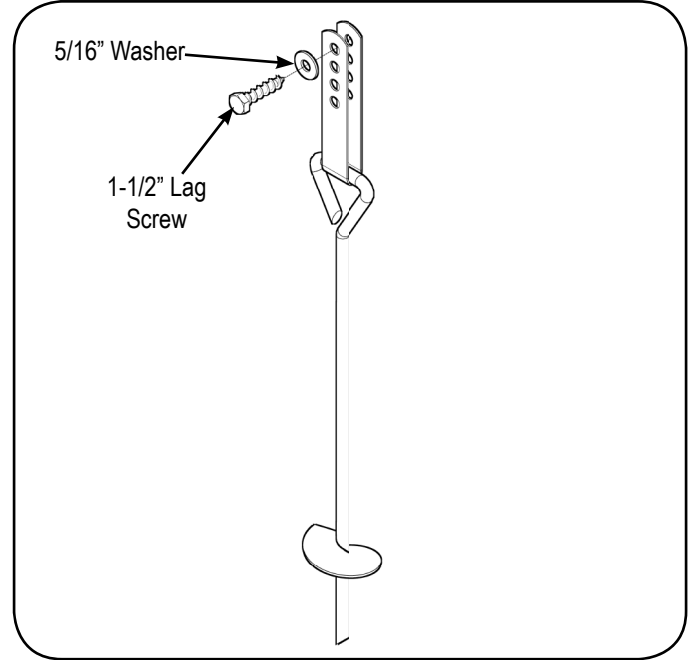
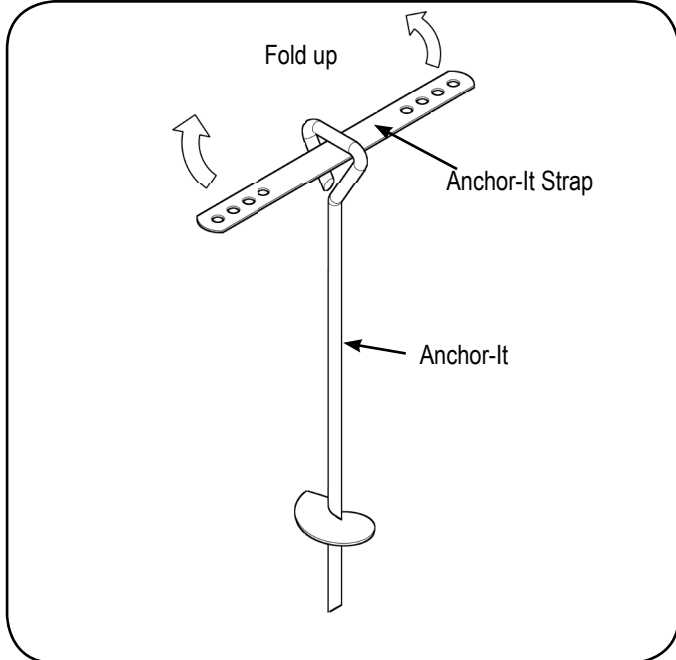
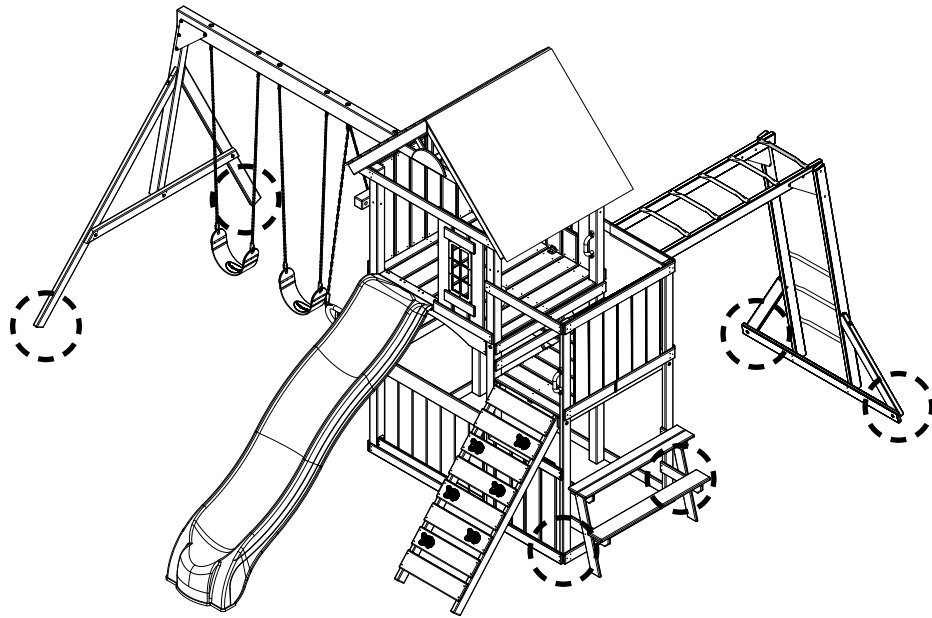
STEP 47

Accessories

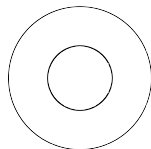


1. See accessory instructions for proper installation.

STEP 48



5/16" x 1-1/2" Lag Screw (x6)



5/16" Washer (x4)

NOTE: Hardware packaged with accessory.

1. Place swing set in final location and mount Anchor-It(s) at locations circled above.
2. Twist the Anchor-It into the ground until only the loop is exposed.
3. Place Anchor-It Strap thru loop, fold the ends together and attach to the unit as shown.

Note: Keep as little play as possible using any of the holes in the strap that work best.

TIP: When installing Anchor-Its in rocky or hard soil, create a starter hole at the desired locations using either a 16" Concrete Drill Bit, or a long screw driver then insert and install the Anchor-Its as shown. This will allow you to get traction with the Anchor-It faster and allow the device to seat more securely.

MANUFACTURER'S LIFETIME LIMITED WARRANTY

Swing-N-Slide® warrants its thermoformed slides and climbing mountains to be free from defects in workmanship and materials, under normal use and conditions, for the lifetime of the product.

MANUFACTURER'S 5 YEAR LIMITED WARRANTY

Swing-N-Slide® warrants its Custom Ready-to-Build Play Set kits and accessories to be free from defects in workmanship and materials, under normal use and conditions, or a period of 5 years.

MANUFACTURER'S 5 YEAR LIMITED WARRANTY

Swing-N-Slide® warrants its No-Cut and Wood Complete Ready-to-Assemble Play Set kits against wood rot and termite damage, and to be free from defects in workmanship and materials, under normal use and conditions, for a period of 5 years for structural wood components.

Cosmetic defects that do not affect the structural integrity of the product, or natural defects of wood such as warping, splitting, checking, twisting, shrinkage, swelling or any other physical properties of wood that do not present a safety hazard, are not covered by this warranty.

MANUFACTURER'S ACCESSORY, PLAYHOUSE WARRANTY

Swing-N-Slide® warrants its playset accessories and accessories sold separately as follows: Rope, Canopy/Tarps, Playhouses – 1 year. Plastic Components, Chains, Hardware and Fasteners – 5 years. These items to be free from defects in workmanship and materials, under normal use and conditions, for the period specified.

Swing-N-Slide® will repair, or at its discretion, replace any part within the stated warranty period which is defective in workmanship or materials. This decision is subject to verification of the defect upon delivery of the defective part to Swing-N-Slide® at 166 Etowah Industrial Ct. • Canton, GA 30114. Any part(s) returned to Swing-N-Slide® must have prior approved Return Authorization Number and proof of purchase, including the date of purchase. This warranty is valid only if the product is used for the purpose for which it was designed and installed at a residential, single family dwelling. This warranty is void if the product is put to commercial or institutional use. This warranty does not cover (a) products which have been damaged by acts of Nature, negligence, misuse, or accident, or which have been modified or repaired by unauthorized persons; (b) the cost of labor; or the cost of shipping the product, any part, or any replacement product or part.

Swing-N-Slide® DISCLAIMS ALL OTHER REPRESENTATIONS AND WARRANTIES OF ANY KIND, EXPRESS, IMPLIED, STATUTORY OR OTHERWISE, INCLUDING THE IMPLIED WARRANTIES OF MERCHANTABILITY AND FITNESS FOR A PARTICULAR PURPOSE. Swing-N-Slide® WILL NOT BE LIABLE FOR ANY INCIDENTAL OR CONSEQUENTIAL DAMAGES. This warranty is non-transferable and does not extend to the owners of the product subsequent to the original purchaser. Some states do not allow limitations on implied warranties or exclusion of incidental or consequential damages, so these restrictions may not be applicable to you. This warranty gives you specific legal rights. You may also have other rights, which vary from state to state.

This warranty also does not apply to:

- Structures not erected, maintained or inspected in conformance with **Swing-N-Slide®** installation plans
- Structures that have had parts added or substituted not in conformance with **Swing-N-Slide®** installation plans
- Parts that have been modified, altered or misused
- Parts that have not been used as designed or intended
- Damage due to acts of Nature, vandalism, abnormal use or abuse as determined by **Swing-N-Slide®**



WE PUT *Kids* FIRST!

Got Questions? We've got answers!
Call our Customer Support Representatives

1-800-882-0272

Available Monday - Friday, 8am - 5pm

Technical support from experienced Swing-N-Slide customer service representatives who have actually built a swing set themselves.