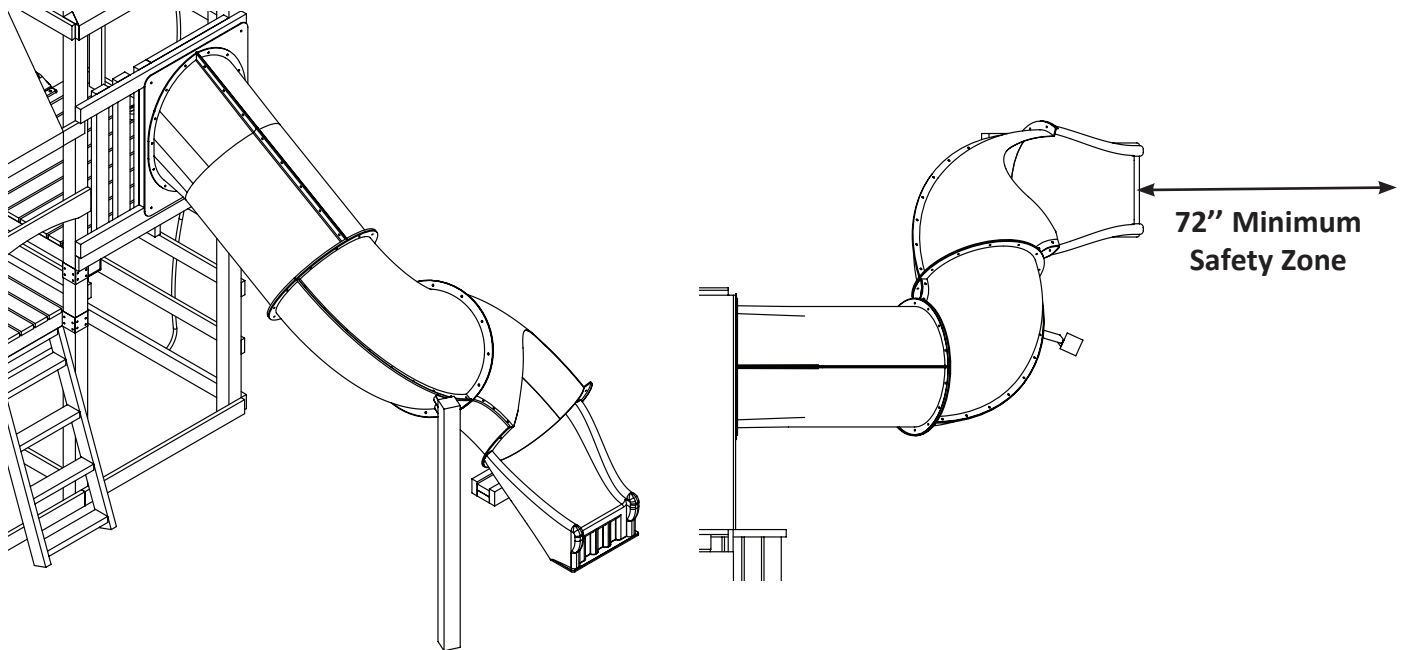




We Put Kids First.

TB 1408

ASSEMBLY INSTRUCTIONS



IMPORTANT!!

PLEASE READ BEFORE BEGINNING ASSEMBLY!!

Please make sure all lumber, hardware and accessory parts are accounted for. If you are missing anything, please **DO NOT RETURN** to the store where purchased. Please call our Customer Service Department at the number below.

To register your product visit:

<http://www.swing-n-slide.com>

Other benefits include information on product warranties, assembly plan updates, joining our mailing list for new products and promotions, receiving our newsletter, and providing feedback on products.

Swing•N•Slide • 1212 Barberry Drive • Janesville, Wisconsin 53545
Visit our web site at: www.swing-n-slide.com or call us at

1-800-888-1232

Observing the following statements and warnings reduces the likelihood of serious or fatal injury

Installation Safety – Have You:

- Consulted the assembly instructions supplied with your particular model?
- Noted this accessory is to be used only on Swing•N•Slide approved designs? (Do not alter its design or add/remove components, this accessory is intended for wooden playsets only, do not install on metal frame playsets).
- Made sure all hardware is tightened securely? (Supplied bolt covers must also be fastened securely.)
- Using a hacksaw, cut off all protruding threaded ends of bolts and other fasteners and remove any sharp edges with a metal file as needed, and coated fastener ends with lead free paint?
- Placed the equipment on level ground, not less than six feet (1.8 meters) from any structure or obstruction such as a fence, garage, house, overhanging branches, laundry lines, or electrical wires?
- Made sure home playground equipment is not installed over concrete, asphalt, packed earth or any other hard surface? (A fall onto a hard surface can result in serious injury to the equipment user.)
- Verified that suspended climbing ropes, chain, or cable are securely anchored at both ends and cannot be looped back upon itself?
- Consulted in assembly instructions of your particular model for minimum use zones?
- Used a water sealant on your play set to protect the wood and prevent cracking and warping? (Apply water sealant directly after assembly is complete. If you live in a coastal area, it is advisable to apply a clear coat finish to all metal parts to discourage rust).
- Followed all anchoring and shock absorbing surfacing requirements on the back of this sheet as they apply?
- Made sure not to allow children to use equipment until it is properly installed?
- Made sure to adjust all swings so there is a minimum 8" clearance between the swing and the ground surface?
- If project requires more than one day to complete, made certain to anchor the tower as soon as it is constructed?
Do not leave the tower unanchored overnight.

Operating Safety – Have You:

- Determined that on-site adult supervision is provided for children of all ages?
- Warned children the following before allowing them to use the equipment?
 - Not to walk close to, in front of, behind or between moving items.
 - Not to twist swing or any other accessory chains or ropes or loop them over the top support bar since this will reduce the strength of chain or rope.
 - Not to stand on swing seats.
 - Not to swing empty seats or other accessories.
 - Not to slide down swing chains.
 - Be sure to sit in the center of the swing seat and other accessories with full weight on the seat.
 - Not to attach items to the playground equipment that are not specifically designed for use with the equipment such as but not limited to, jump ropes, clotheslines, pet leashes, cables and chain. They may cause a strangulation hazard.
 - Not to climb or walk on the top of swing beams, railings or roof.
 - Not to use equipment in a manner other than intended.
 - Not to get off equipment while it is in motion.
 - Not to climb on the equipment when it is wet.
 - Be sure to go down slides feet first.
- Determined that only one child per planned occupant seat should be allowed on this set at one time.
- Determined children must be dressed appropriately for play. Avoid hooded jackets, bicycle or other sports helmets, clothing with draw strings and loose fitting clothes which could become entangled or snagged on equipment.
- Determined that suspended climbing ropes, chain, or cable are securely anchored at both ends and cannot be looped back upon itself.
- Made certain the slide is placed so that it is not in direct sunlight.

Safety Maintenance – Follow these preventive maintenance instructions at the intervals required:

- Use of weed trimmers too close to board surfaces will cause damage to the wood and compromise protection against rot and insect infestation.
- To prevent the deterioration of materials, remove plastic swing seats and other plastic accessories when outdoors temp dips down to or below 32° F and take indoors. Reinstall these plastic elements at the beginning of each play season.
- At the beginning of each play season check metal parts for rust. If found, sand and repaint using a non lead-based paint meeting the requirements of 16 CFR 1303 or SOR/2005-109.
- At the beginning of each play season and once a month during each play season, check all moving parts for wear, rust or other deterioration. Replace as needed. If any of these conditions exist, call 1-800-888-1232 to order replacement accessories.
- At the beginning of each play season and once a month during each play season lubricate metallic moving parts.
- At the beginning of each play season and twice a month during each play season, check all protective coverings on bolts, pipes, edges, and corners. Replace if they are loose, cracked, or missing.
- At the beginning of each play season and twice a month during each play season, rake and check depth of loose fill protective surfacing material to prevent compaction and maintain appropriate depth. Replace as necessary.
- At the beginning of each play season and twice a month during each play season tighten all hardware.
- At the beginning of each play season and twice a month during each play season, check all wood members for deterioration and splinters. Sand down splinters and replace deteriorating wood members.

Disposal Instructions

When the equipment is taken out of service, it must be disassembled and disposed of in such a way that no unreasonable hazards will exist at the time the set is discarded.

**Important! Additional Safety Instructions for all Swing-N-Slide Playground Equipment.
Save this instruction sheet in the event the manufacturer needs to be contacted.**

This product is intended for single family home/residential use only and not intended for use in any public setting. Placement in any public setting constitutes a misuse of this product.

IMPORTANT!

ADDITIONAL REQUIRED SAFETY INSTALLATION INSTRUCTIONS

According to ASTM requirements, all kits must be anchored to the ground and, if the unit has a climbing rope, the rope end must be anchored to the ground. If soil conditions permit stakes to be pulled out easily, cementing into ground is necessary.

- **To anchor the unit to the ground,** Follow the instructions included in this plan for applying Anchor-It devices to your unit, or use 2" x 4" x 18" (45mm x 95mm x 457mm) pressure-treated stakes. Pound stakes into ground at least 12" (305mm) at all inside corners of the posts (including A-frame legs and climbing unit posts). Attach with four (4) 2-1/2" galvanized screws per stake into each tower and/or A-frame upright. NOTE: Leave the soil around anchors as intact as possible. Do not excavate more soil than is necessary to place anchors.
- **If the unit has a climbing rope,** securely anchor the rope at both ends.
- **Once the unit is completely assembled and before children are allowed to play on it, proper shock-absorbing surfacing material must be installed.** This may be accomplished by using loose-fill materials at a sufficient depth. The Consumer Product Safety Commission "Handbook for Public Playground Safety" lists the following materials and required depths that are sufficient for home/residential application. Supplemental information may be found in ASTM F1292. For fall height protection up to 9 ft. (2.742m) [recommended for Swing•N•Slide kits]:

<u>LOOSE FILL MATERIAL</u>	<u>REQUIRED (UNCOMPRESSED) DEPTH¹ in. (mm)</u>
Wood Mulch	9" (229mm)
Double Shredded Bark Mulch	9" (229mm)
Uniform Wood Chips	12" (305mm)

¹These depths were derived from the CPSC Handbook. Swing•N•Slide has not done independent tests to determine these required depths. When properly installed, shock absorbing material will completely cover the horizontal baseboards on climbing units. This protective surfacing must extend a **minimum** of 6 ft. (1.828m) in all directions from the perimeter of the equipment or from the outermost edges of any component. For example, a slide extending beyond the platform must have protective surfacing at least 6 ft. (1.828m) out from both sides as well as the end. For swings, the protective surface must extend **at least 14 ft. (6m)** out from **both** the back and front of the swing when the swing is in its rest position.

For further information on playground safety, the Consumer Product Safety Commission (CPSC) publishes the Outdoor Home Playground Safety Handbook which can be downloaded for free from www.cpsc.gov. An additional resource is the American Society of Testing and Materials (ASTM) Standard Consumer Safety Performance Specification for Home Playground Equipment (ASTM F1148) which can be purchased and downloaded from www.astm.org.

Swing-N-Slide® MANUFACTURERS LIMITED WARRANTY

Swing-N-Slide® takes great pride in the quality and durability of our products. Our Manufacturer's Limited Warranty provides confidence and demonstrates our commitment to providing quality residential playground products.

MANUFACTURER'S LIFETIME LIMITED WARRANTY

Swing-N-Slide® warrants its thermoformed slides and climbing mountains to be free from defects in workmanship and materials, under normal use and conditions, for the lifetime of the product.

MANUFACTURER'S 5 YEAR LIMITED WARRANTY

Swing-N-Slide® warrants its Custom Ready-to-Build Play Set kits and accessories to be free from defects in workmanship and materials, under normal use and conditions, for a period of 5 years.

MANUFACTURER'S 5 YEAR LIMITED WARRANTY

Swing-N-Slide® warrants its No-Cut and Wood Complete Ready-to-Assemble Play Set kits against wood rot and termite damage, and to be free from defects in workmanship and materials, under normal use and conditions, for a period of 5 years for structural wood components.

Cosmetic defects that do not affect the structural integrity of the product, or natural defects of wood such as warping, splitting, checking, twisting, shrinkage, swelling or any other physical properties of wood that do not present a safety hazard, are not covered by this warranty.

MANUFACTURER'S ONE YEAR WARRANTY

Swing-N-Slide® warrants its canopy roofs and/or tarps, playhouses and Timber GLOVE lumber wrap to be free from defects in workmanship and materials, under normal use and conditions, for a period of one year.

Swing-N-Slide® will repair, or at its discretion, replace any part within the stated warranty period which is defective in workmanship or materials. This decision is subject to verification of the defect upon delivery of the defective part to Swing-N-Slide® at 1212 Barberry Drive, Janesville, Wisconsin, 53545. Any part(s) returned to Swing-N-Slide® must have prior approved Return Authorization Number and proof of purchase, including the date of purchase. This warranty is valid only if the product is used for the purpose for which it was designed and installed at a residential, single family dwelling. This warranty is void if the product is put to commercial or institutional use. This warranty does not cover (a) products which have been damaged by acts of Nature, negligence, misuse, or accident, or which have been modified or repaired by unauthorized persons; (b) the cost of labor; or the cost of shipping the product, any part, or any replacement product or part.

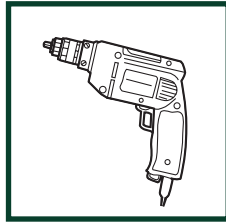
Swing-N-Slide® DISCLAIMS ALL OTHER REPRESENTATIONS AND WARRANTIES OF ANY KIND, EXPRESS, IMPLIED, STATUTORY OR OTHERWISE, INCLUDING THE IMPLIED WARRANTIES OF MERCHANTABILITY AND FITNESS FOR A PARTICULAR PURPOSE. Swing-N-Slide® WILL NOT BE LIABLE FOR ANY INCIDENTAL OR CONSEQUENTIAL DAMAGES. This warranty is non-transferable and does not extend to the owners of the product subsequent to the original purchaser. Some states do not allow limitations on implied warranties or exclusion of incidental or consequential damages, so these restrictions may not be applicable to you. This warranty gives you specific legal rights. You may also have other rights, which vary from state to state.

This warranty also does not apply to:

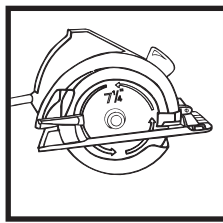
- Structures not erected, maintained or inspected in conformance with **Swing-N-Slide®** installation plans
- Structures that have had parts added or substituted not in conformance with **Swing-N-Slide®** installation plans
- Parts that have been modified, altered or misused
- Parts that have not been used as designed or intended
- Damage due to acts of Nature, vandalism, abnormal use or abuse as determined by **Swing-N-Slide®**

ASSEMBLY INSTRUCTIONS

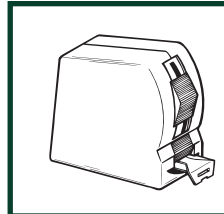
TOOLS REQUIRED



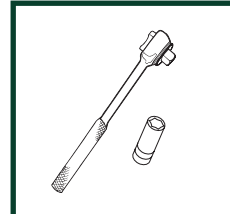
ELECTRIC DRILL



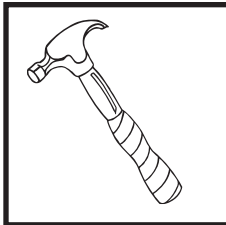
CIRCULAR SAW



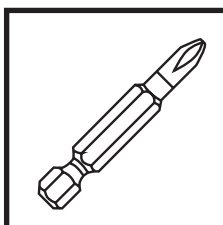
TAPE MEASURE



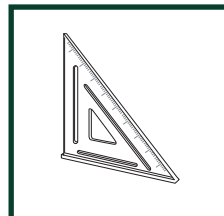
1/2" SOCKET & WRENCH



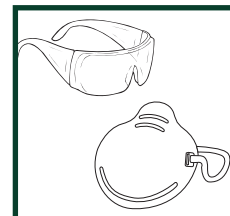
HAMMER



PHILLIPS BIT



SQUARE




SAFETY GLASSES
& DUST MASK

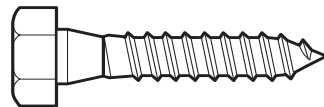
ADDITIONAL LUMBER PURCHASED SEPARATELY

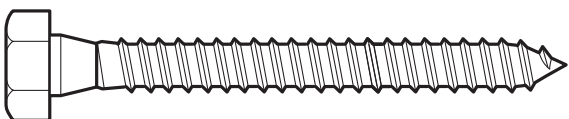
<u>Qty.</u>	<u>Description</u>
3	2" x 4" x 8'
1	2" x 4" x 10'
1	4" x 4" x 8'

HARDWARE INCLUDED

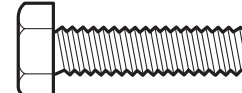
 (2) 1-1/4" Wood Screw

 (62) 2-1/2" Wood Screw

 (14) 1-1/2" lag bolts

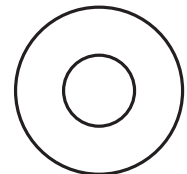
 (4) 2-1/2" lag bolts

 (70) 3/4" bolts

 (4) 1" bolts

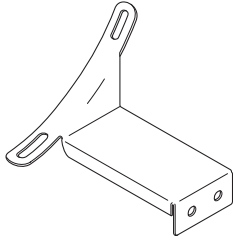


(74) loc nuts

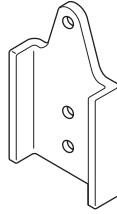


(148) flat washers

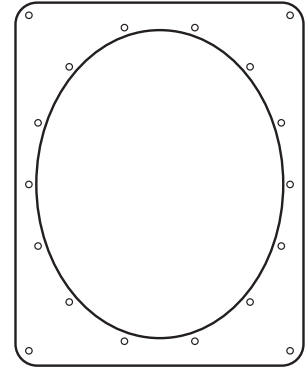
SLIDE COMPONENTS



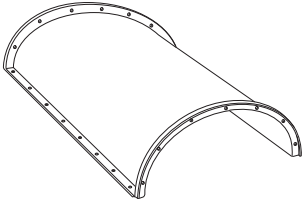
(1) Slide Bracket



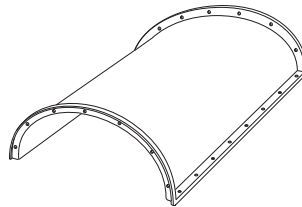
(1) Support Bracket



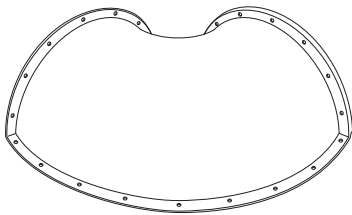
(1) Entrance Panel



(1) Entrance Section marked no. 1

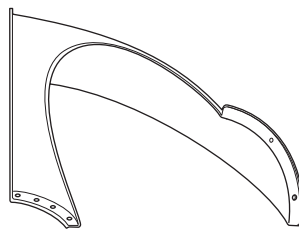


(1) Entrance Section marked no. 2

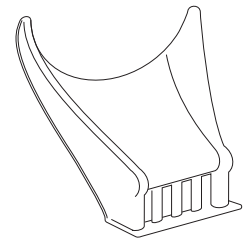


(1) 90° Sections w/flange, marked no. 4 Top

(2) 90° Sections w/o flange, marked no. 3 Bottom



(1) Exit Section marked no. 5



(1) Slide Base marked no. 6

LUMBER LIST

18"	18"	18"	18"	8-1/4"	8-1/4"	7"
-----	-----	-----	-----	--------	--------	----

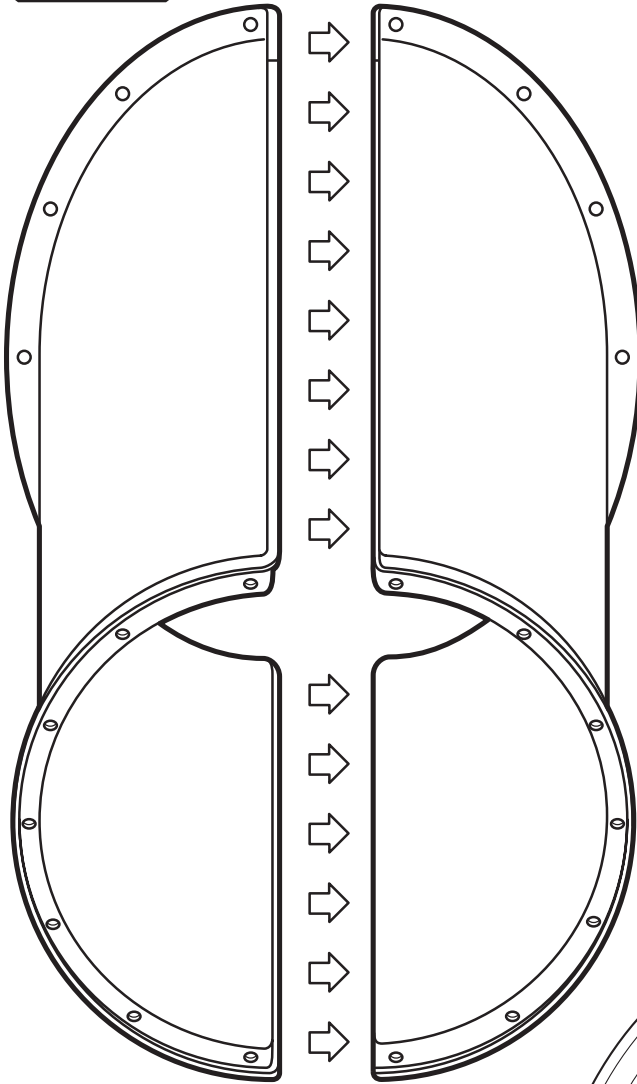
(1) 2" x 4" Brace

66"

(1) 4" x 4" Brace

Tunnel Twister Assembly Instructions

Fig. 1



Entrance Section - 14 bolts

A. ENTRANCE SECTION, 90° SECTION AND EXIT SECTION

NOTES:

- At least two individuals are needed to assemble the Tunnel Twister Slide.
- To aid in aligning holes when assembling sections, insert a screwdriver through adjacent holes to maintain hole alignment.

1. Identify each slide section as either (1), (2), (3), (4), (5), or (6) as marked on the lip of each piece.
2. Assemble entrance section using pieces (1) & (2), one 90° section using pieces (3) & (4), and the exit section using pieces (5) & (6). Join sections using a 3/4" hex head bolt, two flat washers, and a loc nut at each hole junction (**FIG. 1**), (**Fig. 1a**), & (**Fig. 1b**). **NOTE:** Fasten each loc nut finger tight until the entire slide is assembled. Each time you join parts be sure each flanged lip is mating with a flat lip.

NOTE: Hand tighten the loc nuts only.

Fig. 1b

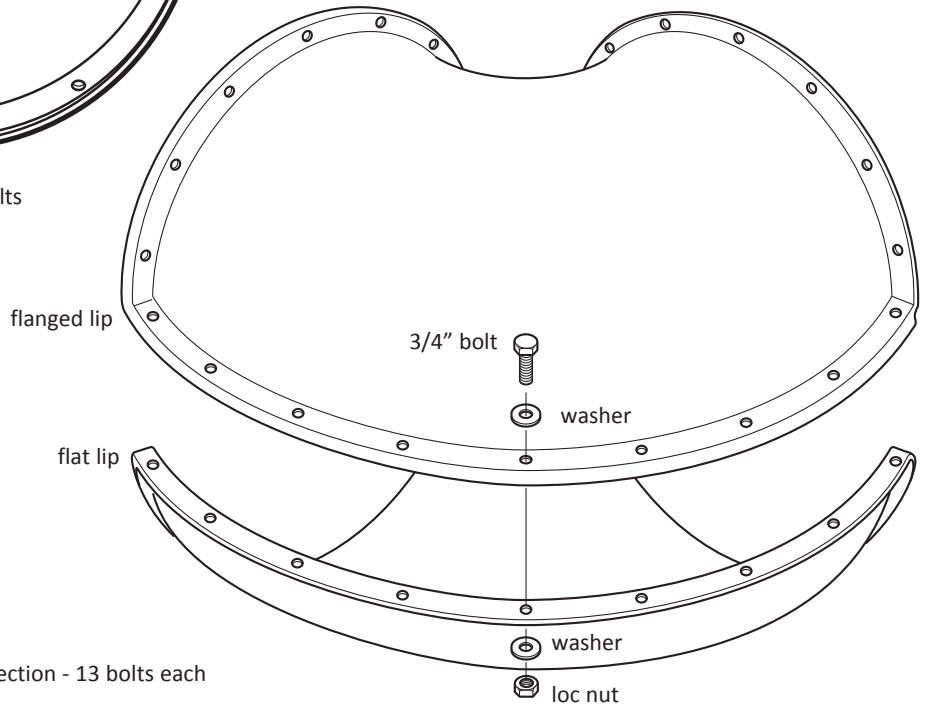
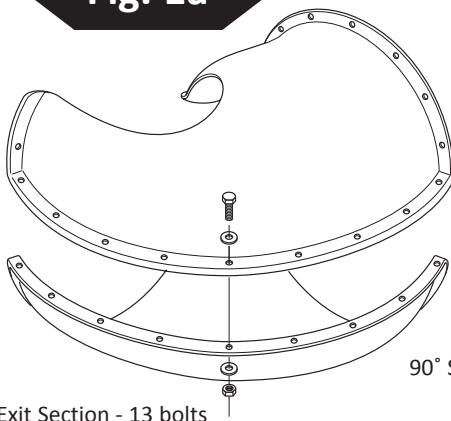


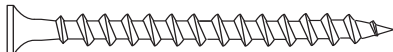
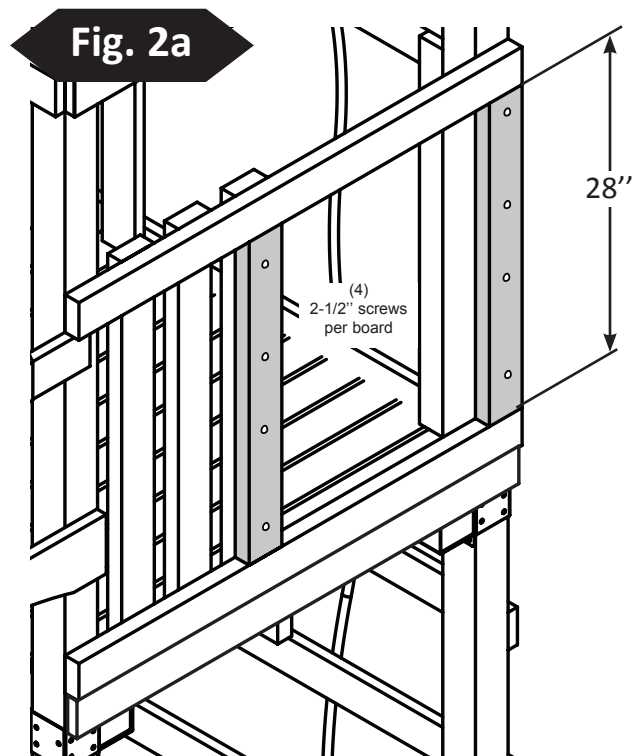
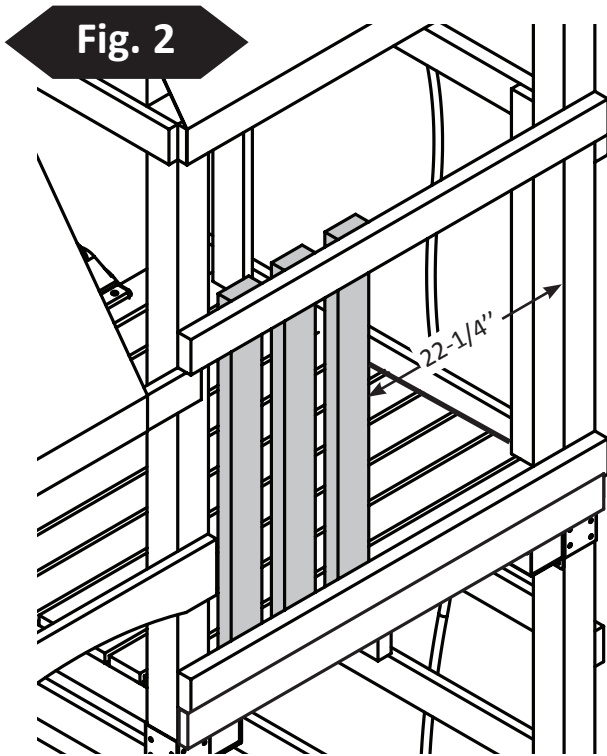
Fig. 1a



90° Section - 13 bolts each

Exit Section - 13 bolts

Tunnel Twister Assembly Instructions

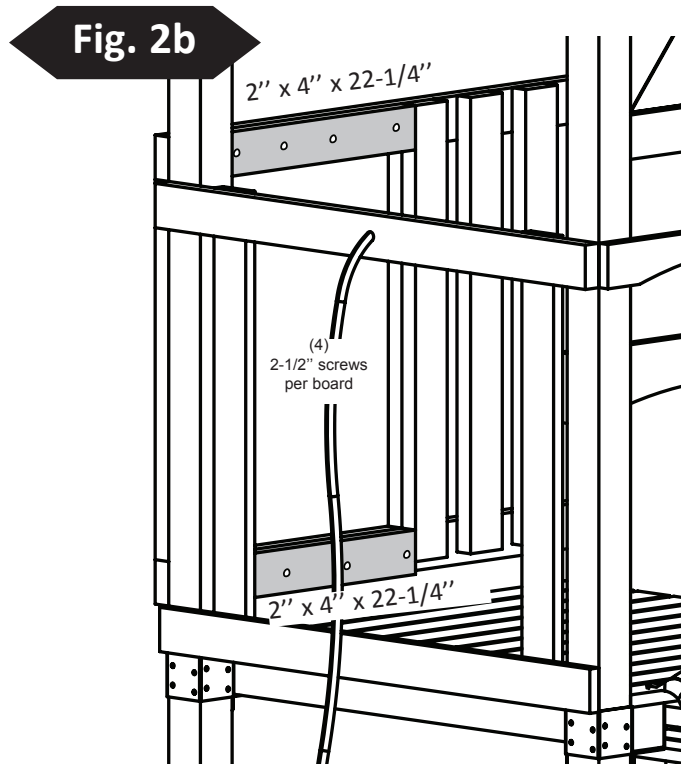


2-1/2" screw

B. Slide Barrier Cont.

Note: The recommended opening for this slide is **22-1/4" Wide x 28" High**. The wood around the Slide Opening must be a **minimum of 3" Thick and 3-1/2" Wide**.

1. Install (2) 2" x 4" x 28" Boards as shown in **(Fig. 2a)**.
2. Install (2) 2" x 4" x 22-1/4" Slide Support Boards on the inside of your barrier as shown in **(Fig. 2b)**.



INSIDE VIEW
UNIT WAS ROTATED 180° FOR THIS VIEW

Tunnel Twister Assembly Instructions

Fig. 3

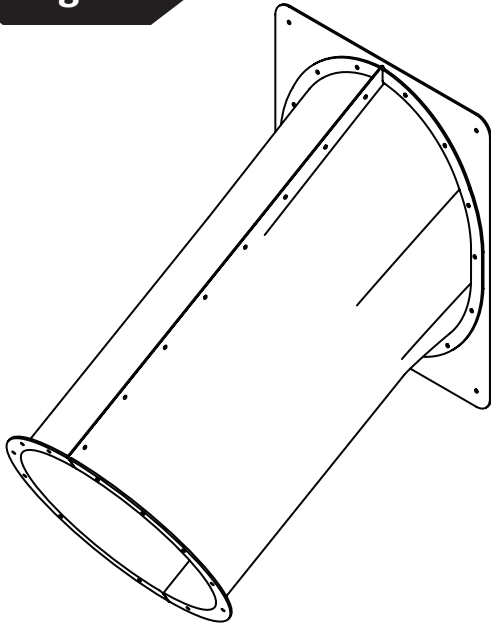
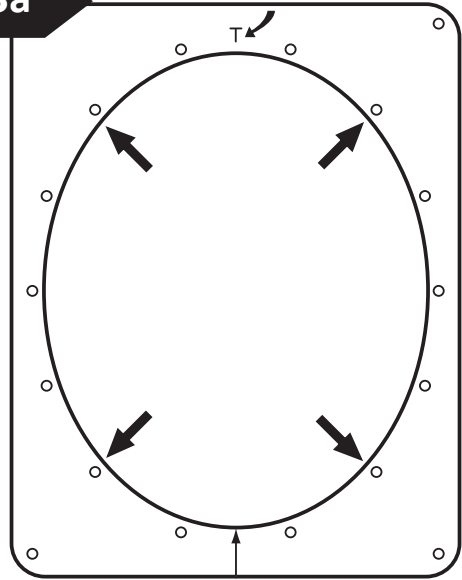


Fig. 3a

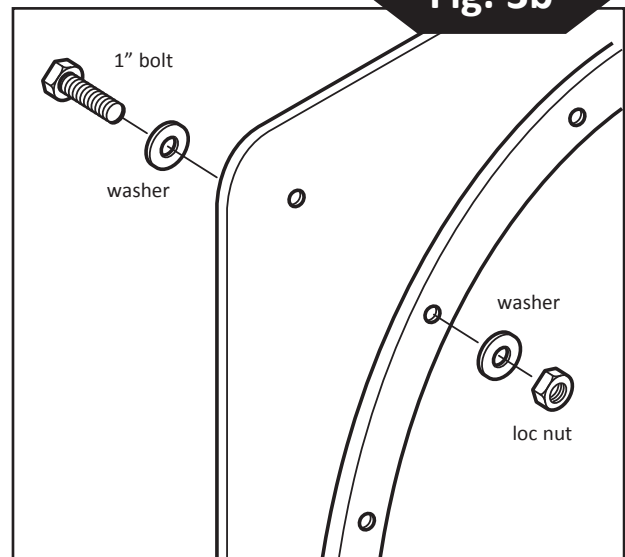


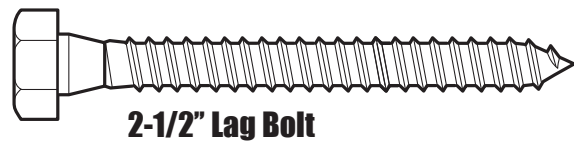
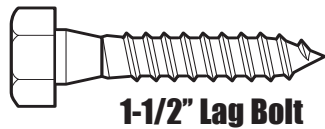
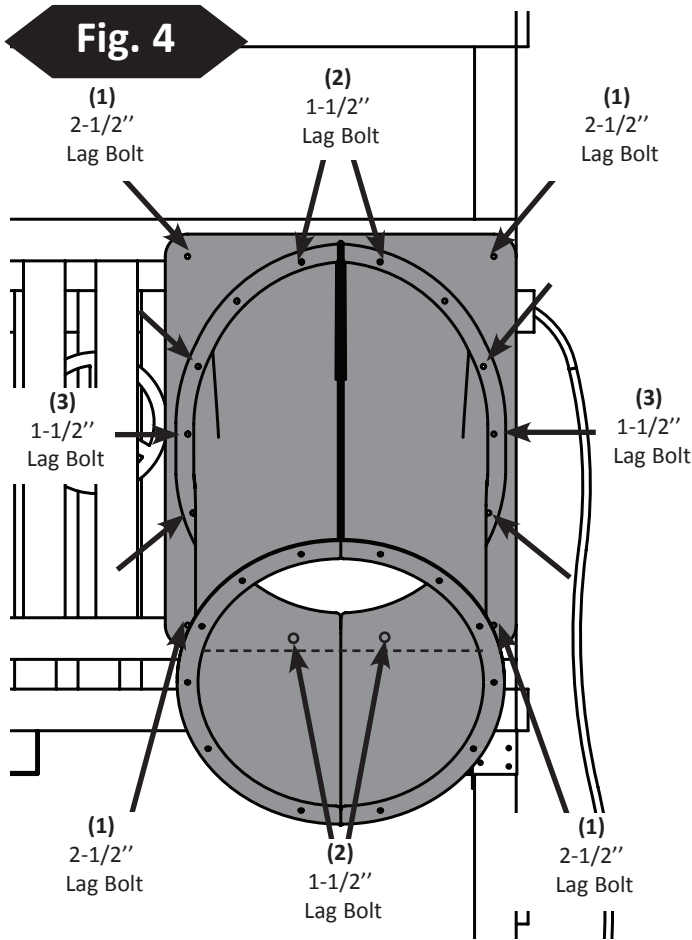
C. Slide Support and Entry

1. Align the mounting panel to the previously assembled entrance section (**Fig. 3**). Attach the mounting panel to the entrance section at the hole locations indicated in (**Fig. 3a**) using one 1" bolt, two washers and one loc nut per hole as indicated in (**Fig. 3b**).

NOTE: Hand tighten the loc nuts only.

Fig. 3b

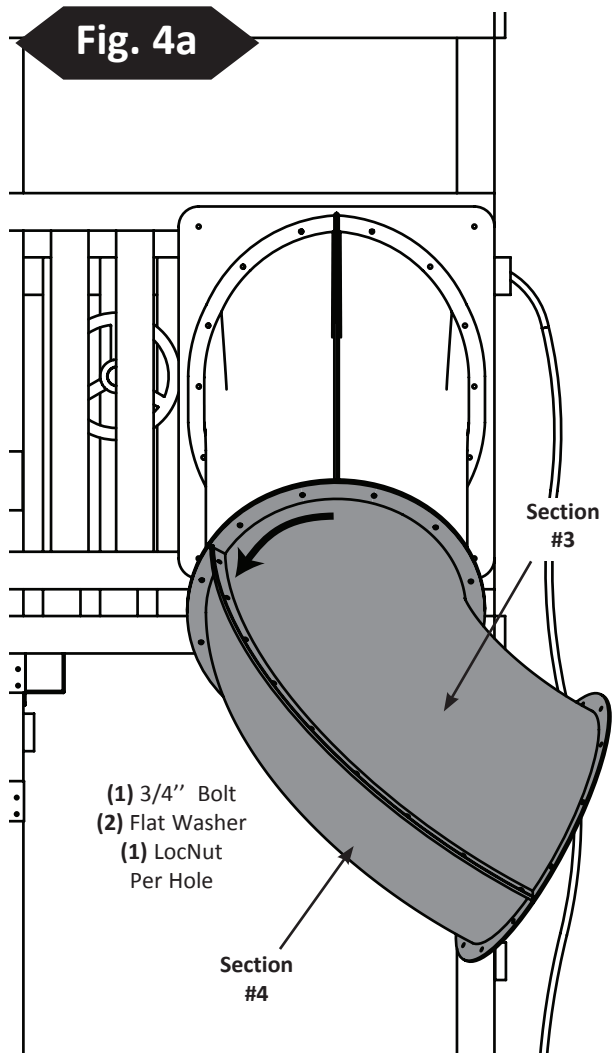




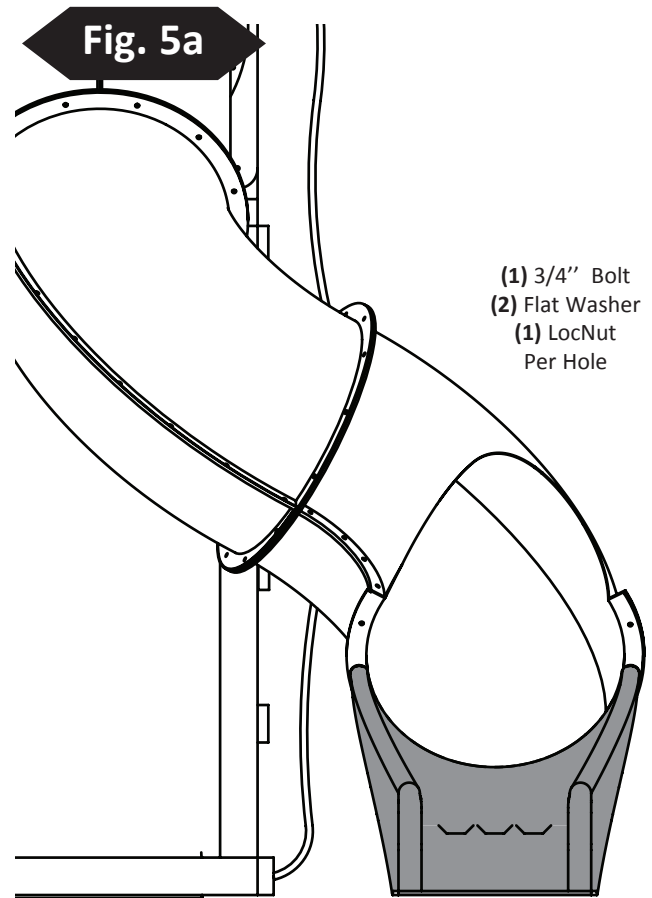
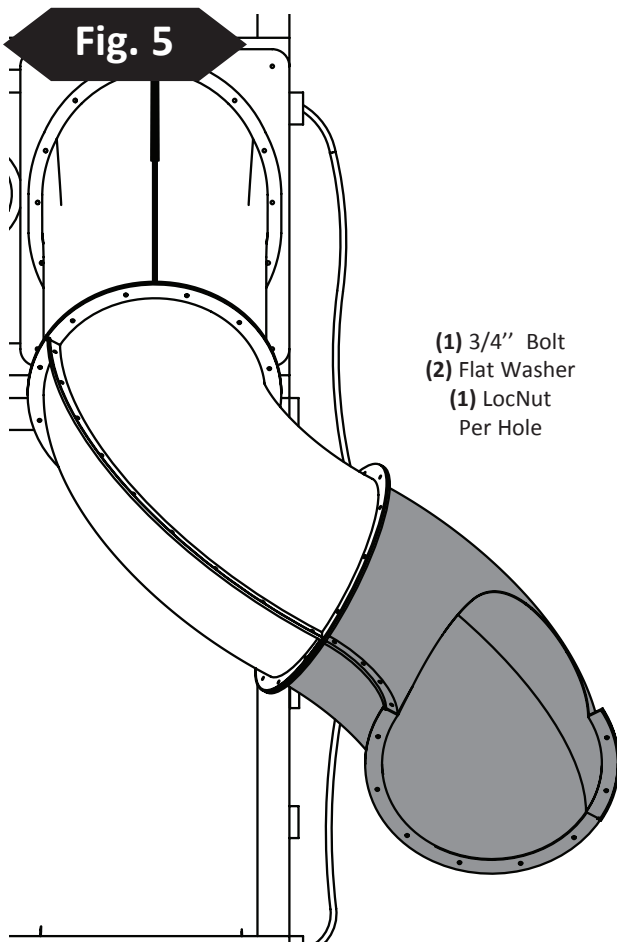
D. Slide Entrance and Elbow

1. Attach Entrance Section as shown in (Fig. 4).
2. Align the first Elbow Section to the Entrance Section with the seams aligned and the exit facing downward. Rotate the Elbow (2) holes to the left.
3. Secure in place as shown in (Fig. 4a).

NOTE: Hand tighten the loc nuts only.

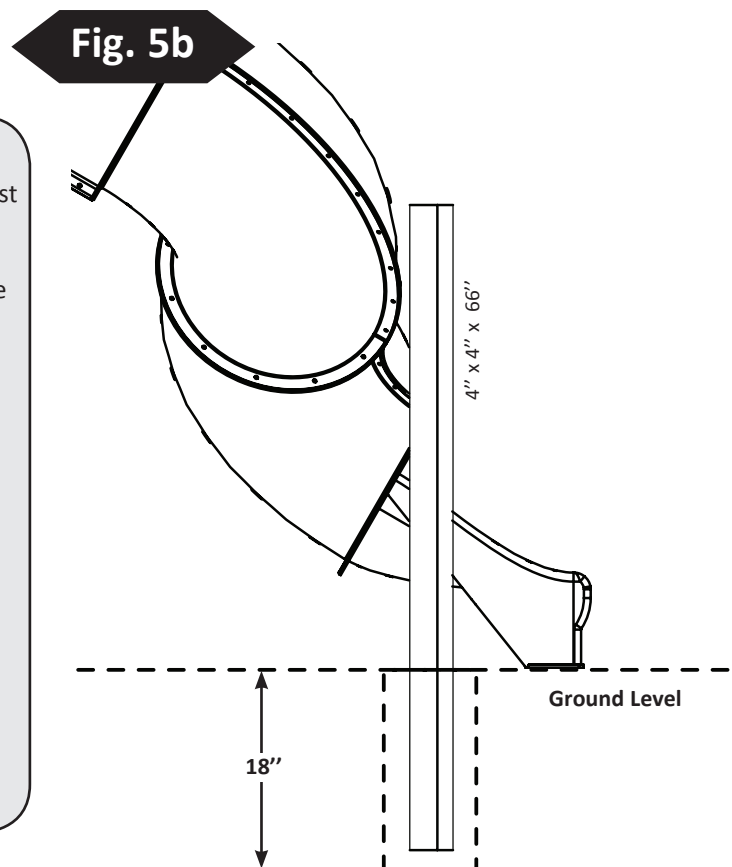


Tunnel Twister Assembly Instructions

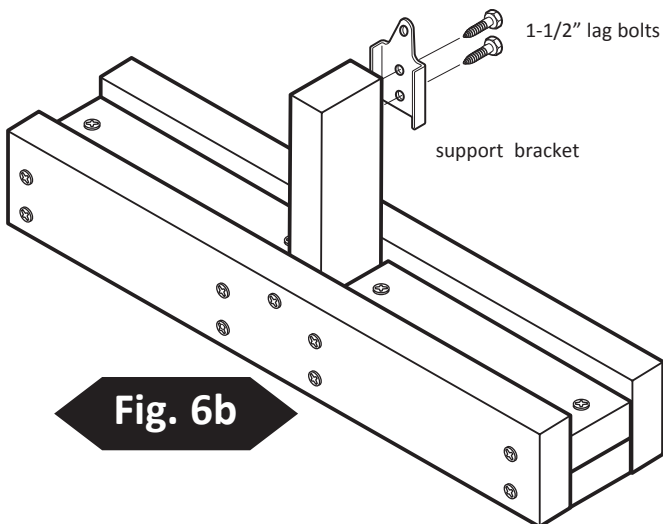
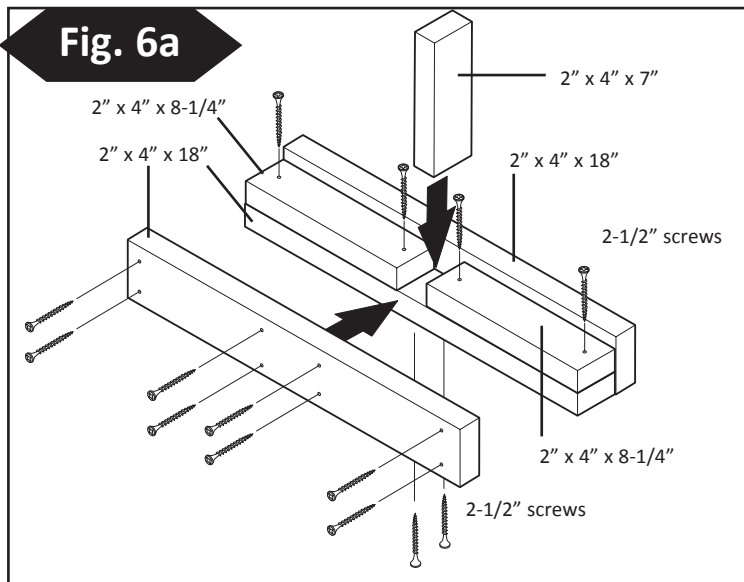
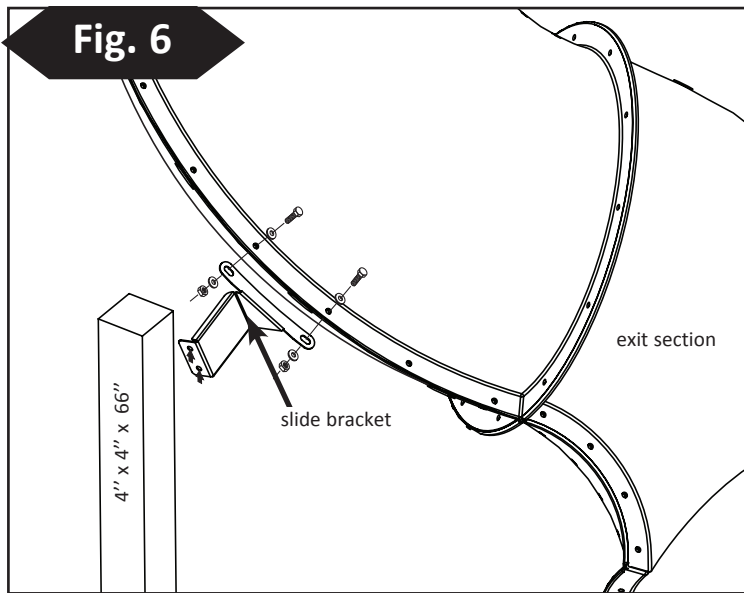


E. Second Elbow and Slide Exit

1. Align the seams of the second Elbow Section to the First Elbow Section as shown in **(Fig. 5)**.
2. Secure in place as shown in **(Fig. 5)**.
3. Attach exit section so that the Slide Base is level on the ground, as shown in **(Fig. 5a)**.
4. Use the Slide Bracket to determine an appropriate location for the 4" x 4" x 66" Slide Support.
5. Dig a hole 18" deep aligned with the previously determined location as well as located near the first bend of the slide as shown in **(Fig. 5b)**. Place the 4" x 4" x 66" Slide Support in this hole as shown and set in place.
6. Tighten **all** slide bolts securely.

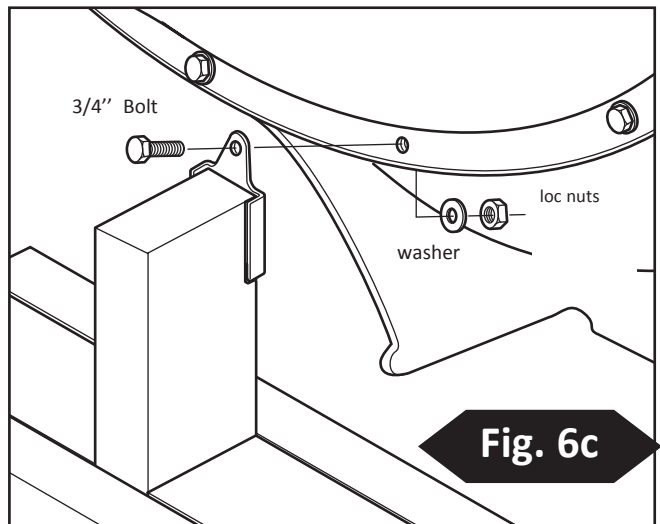


Tunnel Twister Assembly Instructions



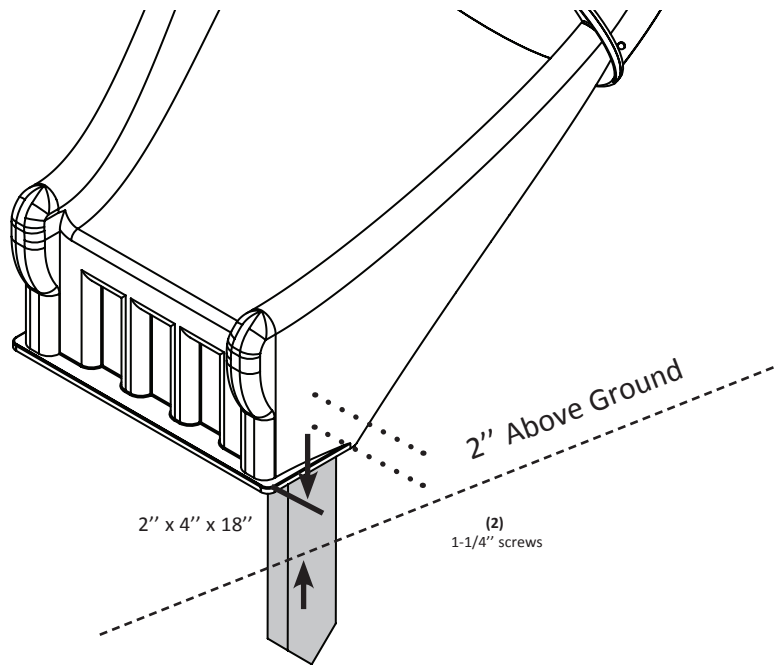
F. SUPPORT AND BRACKET ASSEMBLY

1. Position the slide bracket as shown in (FIG. 6). Remove appropriate bolts from the slide (the fourth and fifth bolts as indicated), Attach bracket to the underside of the seam using the previously removed hardware (FIG. 6).
2. Using holes in the bracket (indicated by arrows in (FIG. 6)) as a guide, mark and drill 1/8" pilot holes (1" deep). **NOTE:** You may need to temporarily remove the slide bracket to drill the pilot holes.
3. Re-attach bracket (if necessary) and secure it to the 4" x 4" Slide Support using two 1-1/2" lag bolts .
4. Assemble the support base as shown in (FIG. 6a).
5. Attach the support bracket to the support base using two 1-1/2" lag bolts (FIG. 6c).
NOTE: Pre-drill 1/8" pilot holes.
6. Place the support beneath the slide base and determine its final position. **NOTE:** Slide support should fit tightly beneath the slide to assure proper support. Remove corresponding nut and bolt, attach support to the slide as indicated in (FIG. 6b). Re-attach hardware.
7. Level grade at the bottom of the slide.



Tunnel Twister Assembly Instructions

Fig. 7



G. Slide Installation.

1. Position slide to determine proper location for stake.
2. Drive wood stake into ground leaving 2" exposed.
3. Secure the slide bottom to the stake using (2) 1-1/4" deck screws. **(Fig. 7).**