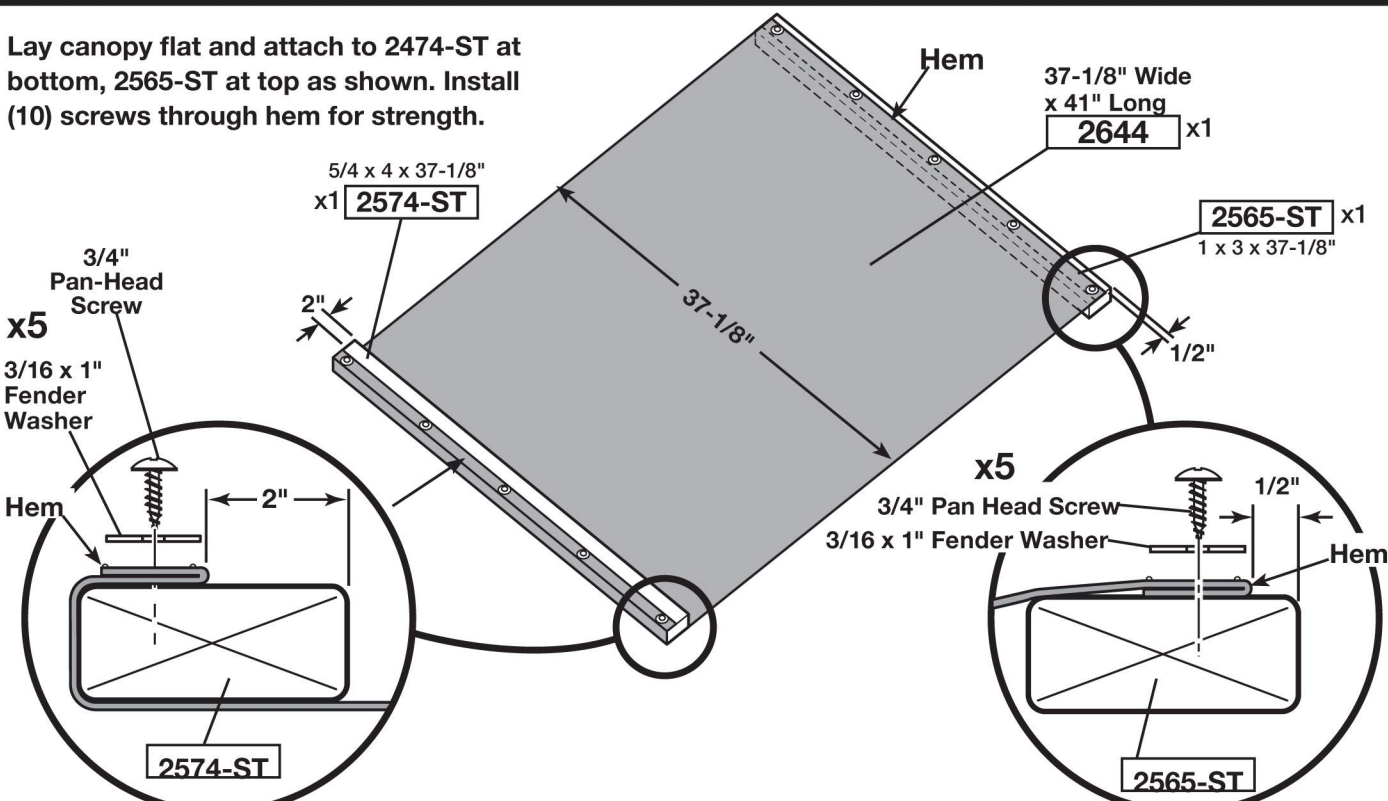


Instructions shown for reference only. Assembly instructions may vary for each swing set. Hardware, screws and lumber not included with canopy.

CANOPY

ASSEMBLE

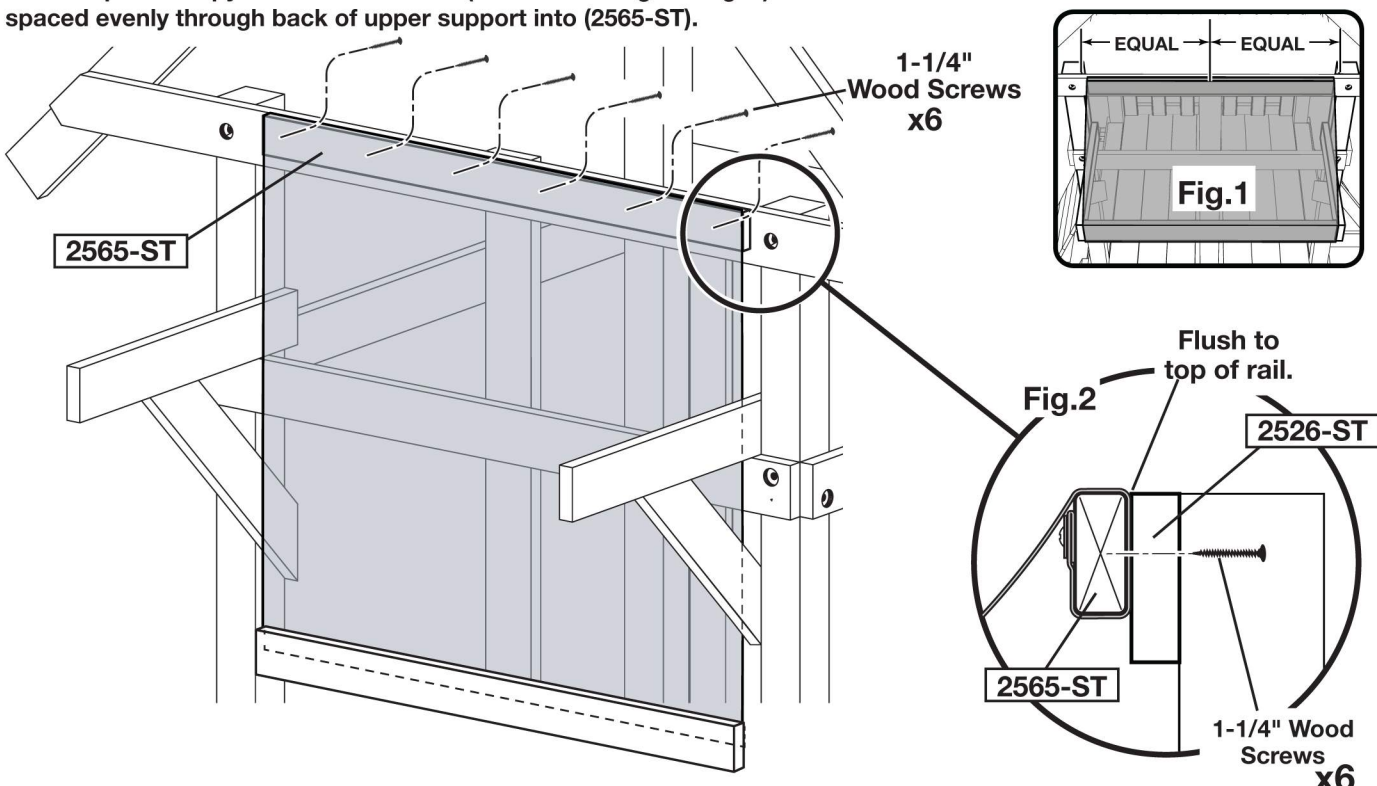
Lay canopy flat and attach to 2474-ST at bottom, 2565-ST at top as shown. Install (10) screws through hem for strength.



CANOPY

INSTALL

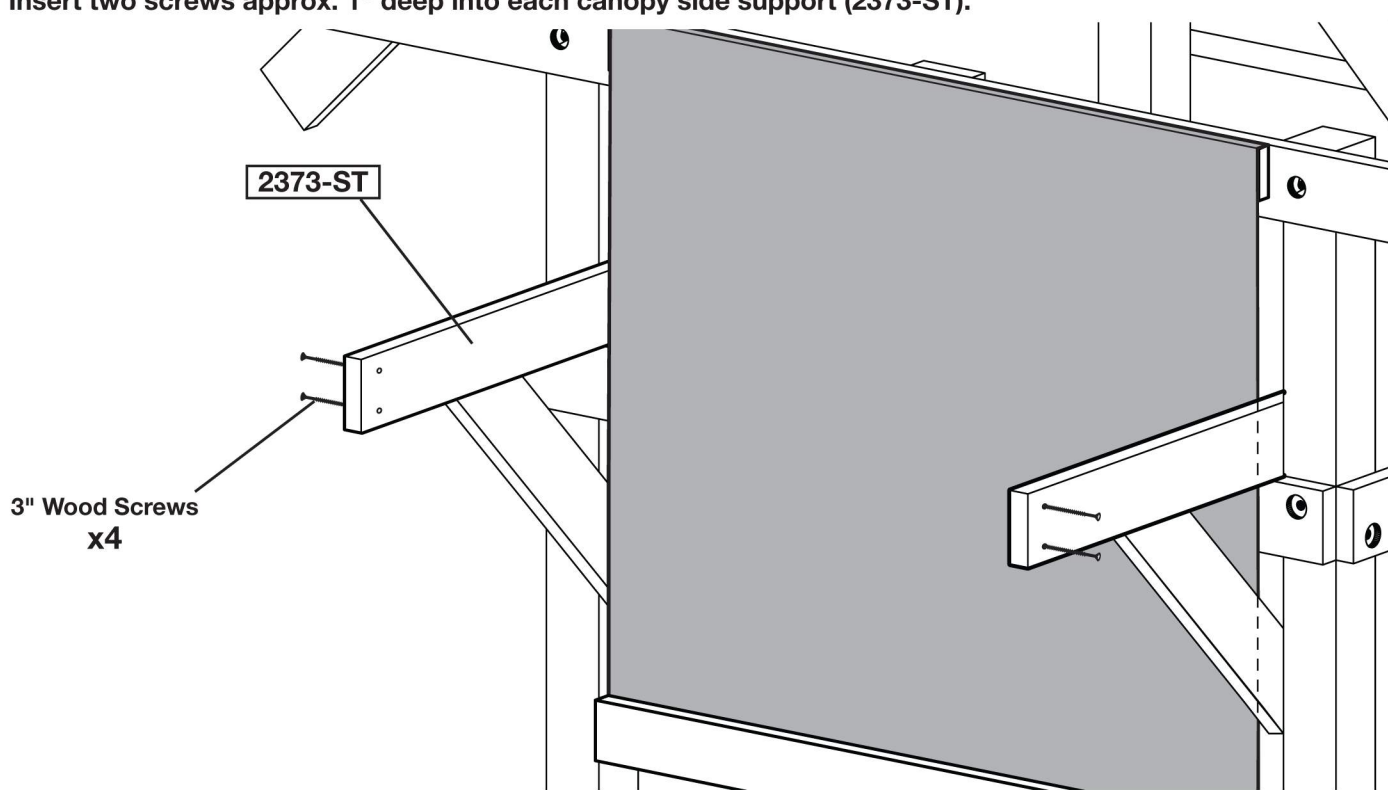
Install top of canopy flush and centered (as shown in Fig. 1 - Fig. 2) with wood screws spaced evenly through back of upper support into (2565-ST).



CANOPY

INSTALL

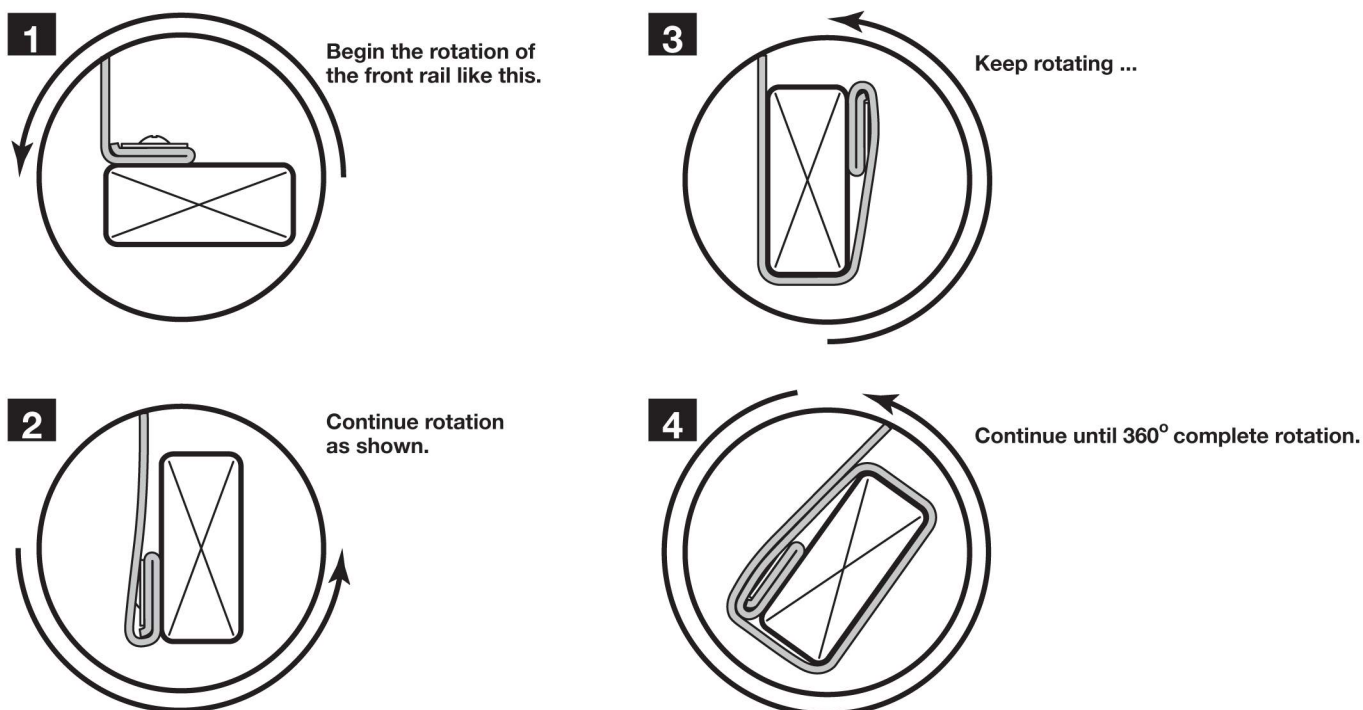
Insert two screws approx. 1" deep into each canopy side support (2373-ST).



CANOPY

INSTALL

Before permanently securing the front rail, the canopy must be installed taut enough so it doesn't sag. Tautness can be achieved by rotating the front rail (with canopy attached). Follow the steps below.



CANOPY

INSTALL

⚠ Two people will be required for screws installation.

Screw in top screws but do not tighten fully. Turn front rail downward until front rail and side rail are flush (Fig. A).

