



IMPORTANT!

**This manual supersedes Manual 2692
in the Base Kit.**

(This page intentionally left blank.)

2999

- NOTICE -

This playset product is not intended for public use. It is intended for residential application and is not warranted for public or commercial use.



Call Us First!

DO NOT RETURN TO STORE.

**For immediate help with assembly or product information
call our toll-free number:**

1-866-890-2211

April through October M - F 8:00 AM to 6:00 PM EST

Saturday 8:30 AM to 4:30 PM EST

November through March M - F 8:00 AM to 5:00 PM EST

or email:

customerservice@backyard-play.com

Our staff is ready to provide assistance.

(This page intentionally left blank.)

Customer Service
1-866-890-2211
1000 Ternes Drive
Monroe, MI 48162

Backyard Play Systems Playset

Model
5027
6012

Recommended for Ages 3 to 11

- BEFORE YOU BEGIN -

Tools Required

Socket Set

Hammer

9/16" Combination
Wrench

3/16" Allen Wrench

#2 Square Drive
Bit (included)

#3 Phillips Bit

Cordless Drill
w/Charger

1/8" Drill Bit

7/16" Drill Bit

1/4" Drill Bit

3/8" Drill Bit

Tape Measure

Level

C - Clamps

8' Step Ladder

Framing/Speed
Square

First...

- Check with your homeowner's association before assembling.
- Read instructions thoroughly before you begin. If you have purchased accessories to accompany this play set, please read all installation instructions before beginning assembly of this structure.

Check All Parts

- If a part is missing, circle the part in question and call.

Important

- In a drawing, a dotted line represents a part hidden from view (like a part under a panel).

Adult Assistance required

- Assistance is necessary to handle, fit and secure some components.

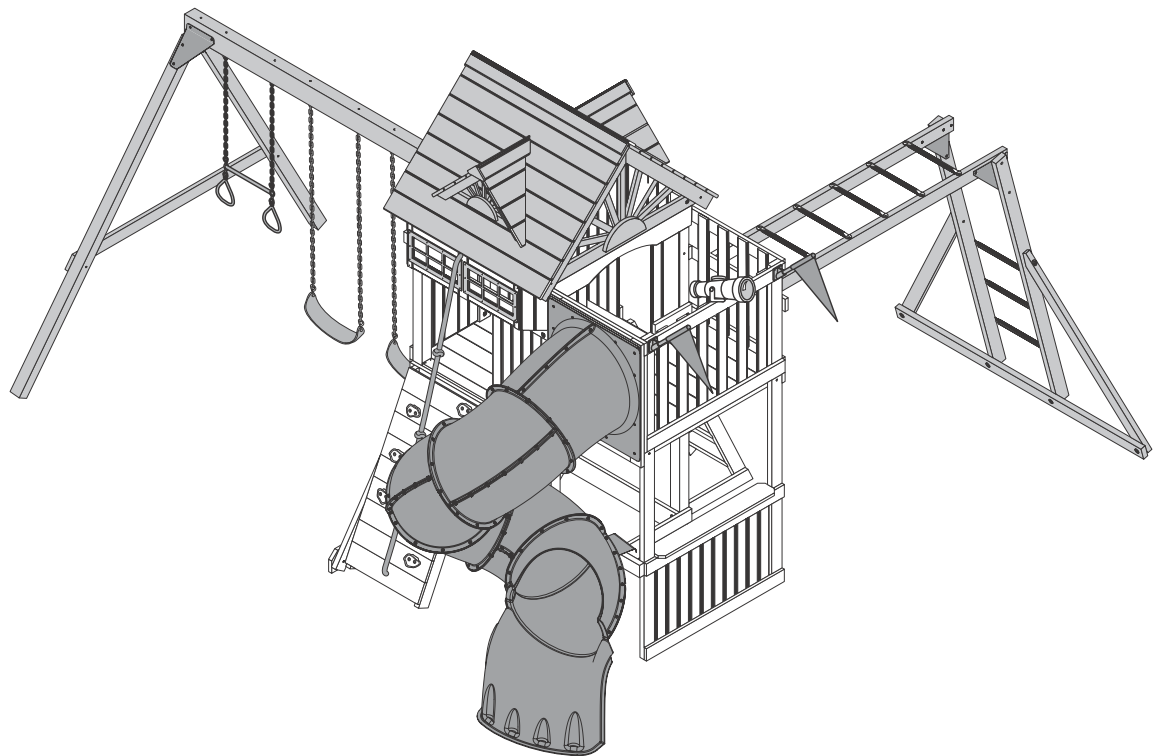
Squareness is very Important!

Start with a level surface and keep 90° corners and 90° perpendiculars throughout the assembly to ensure all components fit together.

Safety!

- Check for protruding screws and bolts, verify all screw and bolt lengths during assembly.

Always wear OSHA-APPROVED safety glasses throughout assembly process.



- NOTICE -

This playset product is not intended for public use. It is intended for residential application and is not warranted for public or commercial use.

Your premium playset is manufactured from wood which has many natural characteristics and blemishes that may be present in some of the pieces in your playset. These natural characteristics may include knots or minor cracks/splits. All individual parts have been cut to provide a smooth and safe surface. All parts have been inspected to assure we pack only the safest, most durable wood product. Any minor blemishes in your playset will not affect the strength, durability, or structural integrity of the finished product. Our limited warranty does not cover the imperfections not resulting in structural failure.

ASSEMBLY SAFETY and HELPFUL HINTS



STOP!!! Check all parts and hardware before beginning. If any parts are missing or damaged please circle and call the phone number listed.
DO NOT CONTACT THE STORE OR RETURN YOUR PLAYSET !



KEEP THIS INSTALLATION MANUAL FOR FUTURE CARE AND MAINTENANCE REFERENCE.

To aid in making your playset assembly easier, here is a listing of some helpful hints.

- Wear safety glasses during drilling, assembly of your playset.
- Children should not be allowed in the playset assembly and build area.
- Note the hole orientation on parts to avoid having to take parts apart later.
- Some steps require the assistance of two people to ensure proper assembly, safety during assembly, as well as preventing any damage to the playset.



IMPORTANT HARDWARE INFORMATION



- All hex bolts and lag bolts require a lock washer or lock nut.
- To properly install lock nuts, two to three threads must protrude past the lock nut and be exposed once tightened.



- Due to wood characteristics and the manufacturing process hex bolts may protrude past a surface. If this condition occurs add additional supplied washers to eliminate bolt protrusion.
- To aid in proper assembly pound T-nuts into their respective hole prior to assembly
- Pound in T-nuts while the part is on the ground to ensure proper seating.
- Use a soft material under parts when pounding in T-nuts to ensure no scratching or de-facing of parts.



- Make sure all fasteners used are as specified. Using a fastener not specified in a particular application may result in too much thread exposure or not enough thread engagement.

SAFETY WARNINGS

Please read carefully. Observing the following statements and warnings reduces the likelihood of serious or fatal injury.

- This playset has been designed for use by a maximum of eight occupants at one time having a combined weight of 1,200 pounds. (This weight does not include occupants in the sandbox area.)
- This playset is recommended for children (3) through (11) years of age.
- On-site adult supervision for children of all ages is recommended.
- Instruct children not to walk close to, in front of, behind, or between moving items.
- Instruct children not to twist swing chains or ropes or loop them over the top support bar since this may reduce the strength of the chain or rope.
- Instruct children to avoid swinging empty seats.
- Teach children to sit in the center of the swings with their full weight on the seats.
- Instruct children not to use the equipment in a manner other than intended.
- Instruct children not to get off equipment while it is in motion.
- Parents should dress children appropriately (examples would include the use of well-fitting shoes and the avoidance of ponchos, scarves, and other loose-fitting clothing that is potentially hazardous while using equipment).
- Instruct children not to climb when the equipment is wet. Slippery surfaces may cause a hazard.
- Verify that suspended climbing ropes, chain, or cable are secured at both ends.
- Verify that suspended climbing ropes, chain, or cable cannot be looped back on itself.
- Instruct children not to attach items to the playground equipment that are not specifically designed for use with the equipment, such as, but not limited to, jump ropes, clothesline, pet leashes, cables and chain as they may cause a strangulation hazard.
- Instruct children to remove their bike or other sports helmet before playing on the playground equipment.
- Instruct children to not walk or run up slides.
- Instruct children to not pick up slides or ramps as this may cause damage or breakage.
- Place the equipment on level ground not less than six (6) feet from any obstructions. Be sure to look overhead for any obstructions above the playset.
- Do not use the equipment until fully erected per this playset instruction manual, bolts tightened and the playset is anchored to the ground.

NOTICE:

This playset product is not intended for public use. It is intended for residential application and is not warranted for public or commercial use.

MAINTENANCE

Periodic maintenance is required to ensure safe enjoyment of your playset and optional accessories.

Observing the following procedures reduces the likelihood of serious or fatal injury.



Activity on your playset and optional accessories may loosen fasteners. Check all lock nuts, hex and lag bolts, quick clips, spring clips, acorn nuts, wood screws, and swing hangers for tightness and tighten as required. T-nuts should be inspected for full and proper seating into the wood.

- Checking, splitting and surface cracking are characteristics of all wooden playsets. This is caused by varying seasonal temperatures and moisture conditions. To minimize this checking and/or cracking you may coat your playset with a water repellent.

PLAYSET CHECKLIST

At the beginning of each play season:

- Tighten all hardware.
- Lubricate all metallic moving parts per manufacturer's instructions.
- Check all protective coverings on bolts, pipes, edges, and corners. Replace if they are loose, cracked, or missing.
- Check all moving parts including swing seats, ropes, cables, and chains for wear, rust, or other deterioration. Replace as needed.
- Check metal parts for rust. If found, sand and repaint using a nonleaded-based paint meeting the requirements of 16 CFR 1303.
- Check all wood members for deterioration and splinters. Sand down splinters and replace deteriorating wood members.
- Reinstall any plastic parts, such as swing seats or any other items that were removed for the cold season.
- Rake and check depth of loose fill protective surfacing materials to prevent compaction and to maintain appropriate depth. Replace as necessary.

- Tighten all hardware.
- Check all protective coverings on bolts, pipes, edges, and corners. Replace if they are loose, cracked, or missing.
- Rake and check depth of loose fill protective surfacing materials to prevent compaction and to maintain appropriate depth. Replace as necessary.

- Lubricate all metallic moving parts per manufacturer's instructions.
- Check all moving parts including swing seats, ropes, cables, and chains for wear, rust, or other deterioration. Replace as needed.
- At the end of each play season or when the temperature drops below 10°F remove plastic swing seats, tents, sandbox cover, tire swing, slide and other items as specified by the manufacturer and take indoors or do not use.
- Rake and check depth of loose fill protective surfacing materials to prevent compaction and to maintain appropriate depth. Replace as necessary.

When you are ready to dispose of your playset, make sure that all metal, plastic and wood components are disposed of in accordance with local waste ordinances.

Buyer and/or owner should disassemble and dispose of the playground equipment in such a way that no unreasonable hazards will exist at the time the swing set is discarded.

PLAYGROUND SURFACING MATERIALS

SECTION 4 OF THE CONSUMER PRODUCT SAFETY COMMISSION'S OUTDOOR HOME PLAYGROUND SAFETY HANDBOOK⁹

Select Protective Surfacing

One of the most important things you can do to reduce the likelihood of serious head injuries is to install shock-absorbing protective surfacing under and around your play equipment. The protective surfacing should be applied to a depth that is suitable for the equipment height in accordance with ASTM Specification F 1292. There are different types of surfacing to choose from; whichever product you select, follow these guidelines:

NOTE: Do not install home playground equipment over concrete, asphalt, or any other hard surface. A fall onto a hard surface can result in serious injury to the equipment user. Grass and dirt are not considered protective surfacing because wear and environmental factors can reduce their shock absorbing effectiveness. Carpeting and thin mats are generally not adequate protective surfacing. Ground level equipment – such as a sandbox, activity wall, playhouse or other equipment that has no elevated play surface – does not need any protective surfacing.

Loose-Fill Materials:

- Maintain a minimum depth of 9 inches of loose-fill materials such as wood mulch/chips, engineered wood fiber (EWF), or shredded/recycled rubber mulch for equipment up to 8 feet high; and 9 inches of sand or pea gravel for equipment up to 5 feet high. NOTE: An initial fill level of 12 inches will compress to about a 9-inch depth of surfacing over time. The surfacing will also compact, displace, and settle, and should be periodically refilled to maintain at least a 9-inch depth.
- Use a minimum of 6 inches of protective surfacing for play equipment less than 4 feet in height. If maintained properly, this should be adequate. (At depths less than 6 inches, the protective material is too easily displaced or compacted.)
- Use containment, such as digging out around the perimeter and/or lining the perimeter with landscape edging. Don't forget to account for water drainage. U.S. Consumer Product Safety Commission, Washington, D.C., 20207 or call the toll-free hotline :1-800-638-2772
- Check and maintain the depth of the loose-fill surfacing material. To maintain the right amount of loose-fill materials, mark the correct level on play equipment support posts. That way you can easily see when to replenish and/or redistribute the surfacing.
- Do not** install loose fill surfacing over hard surfaces such as concrete or asphalt.

Poured-In-Place Surfaces or Pre-Manufactured Rubber Tiles:

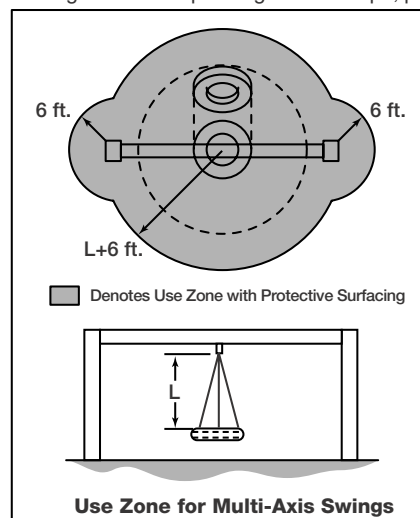
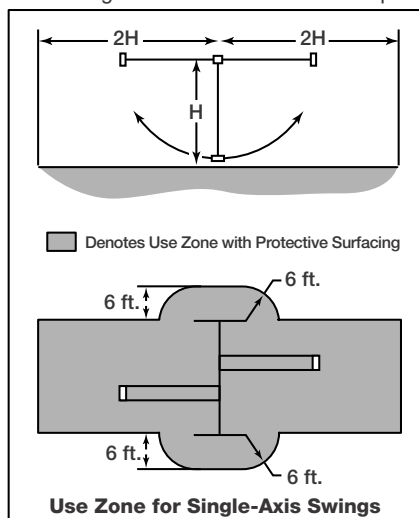
You may be interested in using surfacing other than loose-fill materials – like rubber tiles or poured-in-place surfaces.

- Installations of these surfaces generally require a professional and are not “do-it-yourself” projects.
- Review surface specifications before purchasing this type of surfacing. Ask the installer/manufacturer for a report showing that the product has been tested to the following safety standard: ASTM F 1292 Standard Specification for Impact Attenuation of Surfacing Materials within the Use Zone of Playground Equipment. This report should show the specific height for which the surface is intended to protect against serious head injury. This height should be equal to or greater than the fall height – vertical distance between a designated play surface (elevated surface for standing, sitting, or climbing) and the protective surfacing below – of your play equipment.
- Check the protective surfacing frequently for wear.

Placement

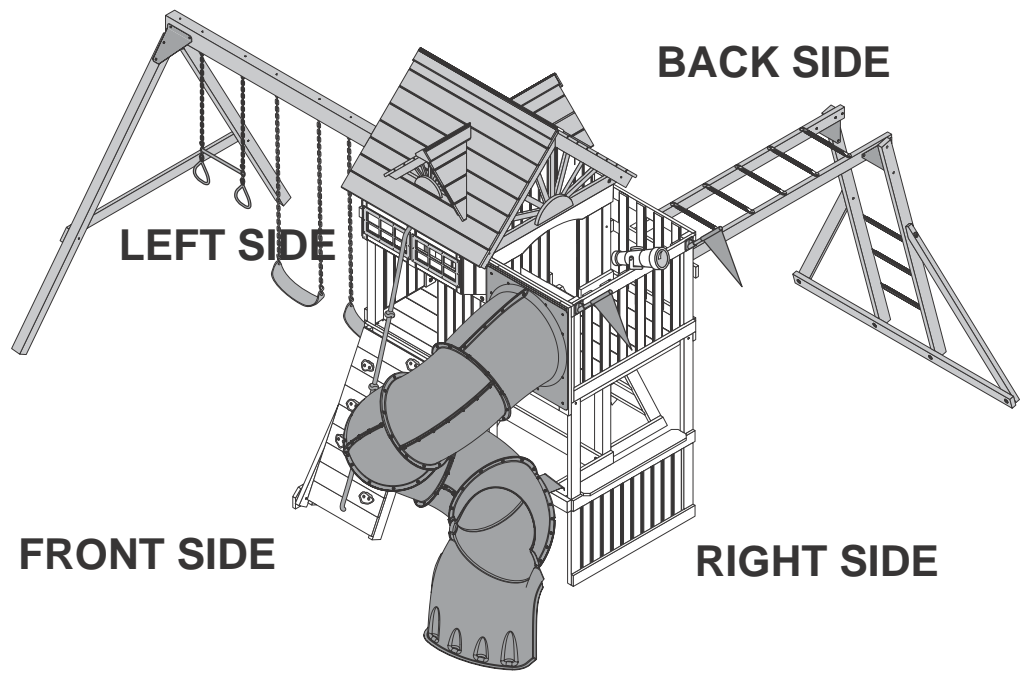
Proper placement and maintenance of protective surfacing is essential. Be sure to

- Extend surfacing at least 6 feet from the equipment in all directions.
- For to-fro swings, extend protective surfacing in front of and behind the swing to a distance equal to twice the height of the top bar from which the swing is suspended.
- For tire swings, extend surfacing in a circle whose radius is equal to the height of the suspending chain or rope, plus 6 feet in all directions.



⁹ This information has been extracted from the CPSC publications “Playground Surfacing—Technical Information Guide” and “Handbook for Public Playground Safety.” Copies of these reports can be obtained by sending a postcard to the: Office of Public Affairs, U.S. Consumer Product Safety Commission, Washington, D.C., 20207 or call the toll-free hotline: 1-800-638-2772

Throughout this manual references made to the **left side**,
The **right side**, the **front side** and the **back side** of the playset serve
As a consistent reminder to help with assembly.



IMPORTANT!

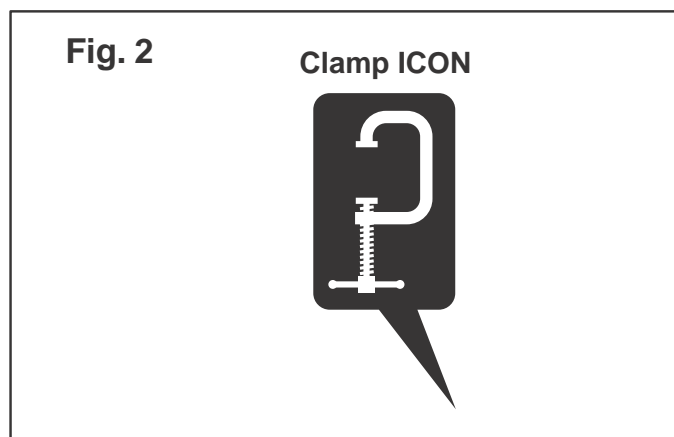
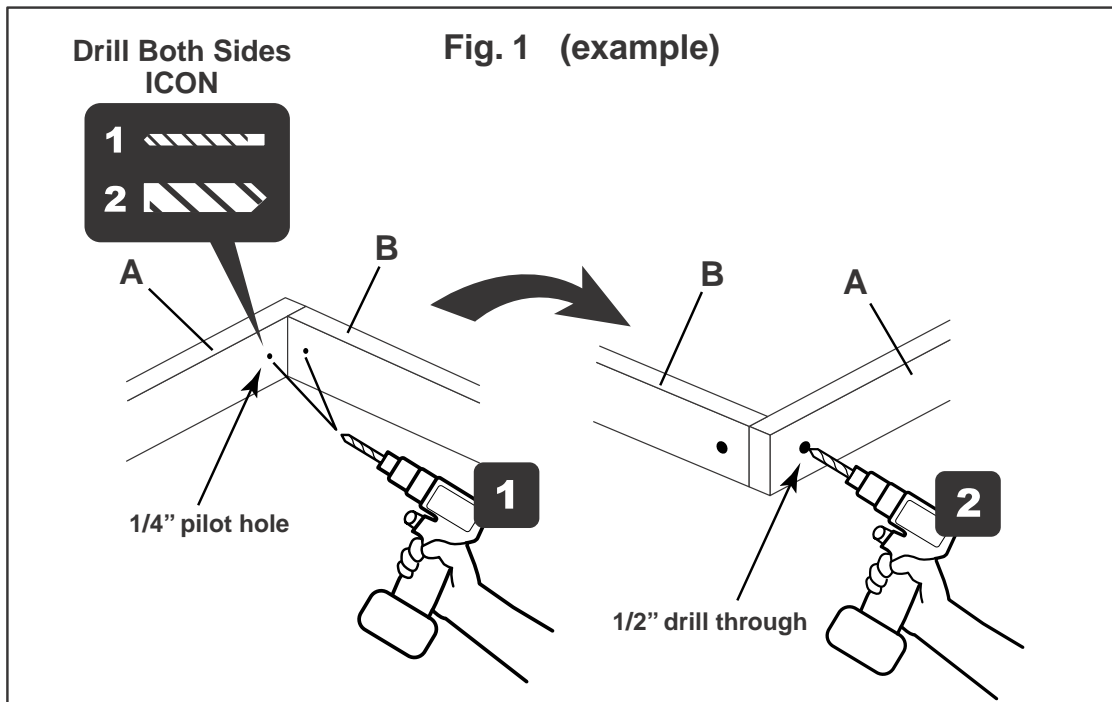
Use these Assembly Procedure Hints throughout the installation process.



1. All Lag Bolts must have pre-drilled holes. Use a 1/4" drill bit for all 3/8" Lag Bolts. Use a 3/16" drill bit for all 5/16" Lag Bolts. Pre-drilling pilot holes will help prevent Screws and Lag Bolts from breaking and wood from splitting during assembly.

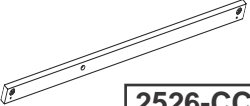
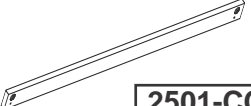

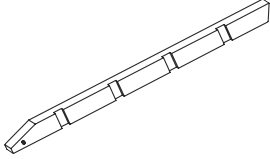
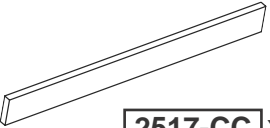

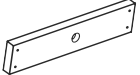
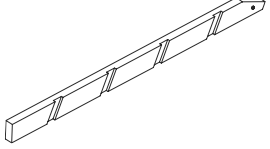
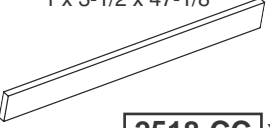

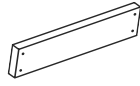
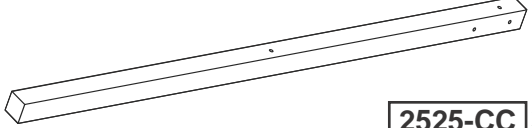
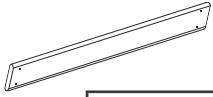
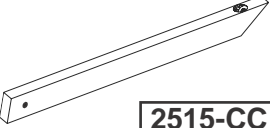
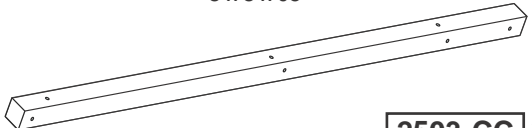
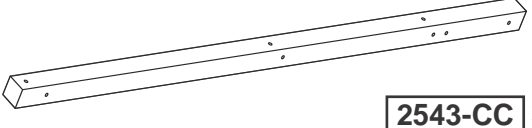

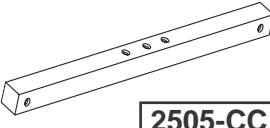
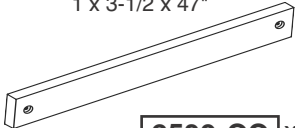
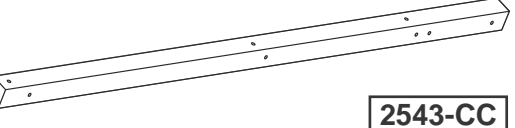
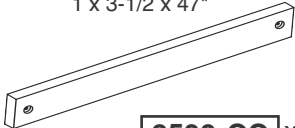
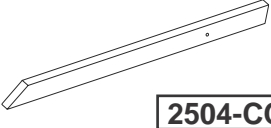
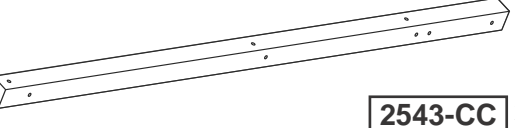
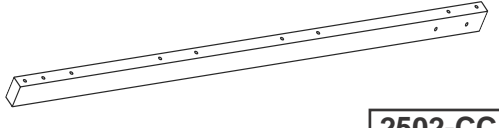
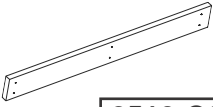
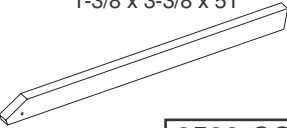

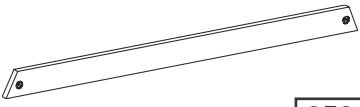



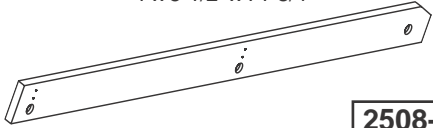


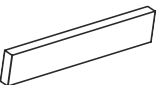
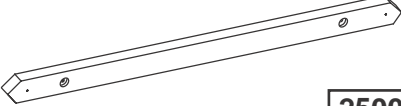
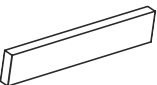

DO NOT OVER-TIGHTEN LAG BOLTS

2. In areas where drilling a larger 1/2" hole is necessary, such as when installing T-Nuts, (Fig. 1) the recommended procedure is to first drill-through a 1/4" pilot hole from the Hex Bolt side and then drill the larger 1/2" hole from the opposite T-Nut side. This will help avoid splintering the wood. The "**Drill Both Sides ICON**" (Fig. 1) will remind you to drill according to this procedure. Be sure to clean through-holes of debris before inserting Hex Bolts.
3. When assembling parts that are difficult to hold in position while pre-drilling pilot holes or assembling, use a clamp to keep parts aligned or in position. The "**Clamp ICON**" (Fig. 2) will advise you to use this procedure.



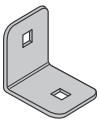
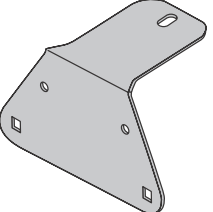
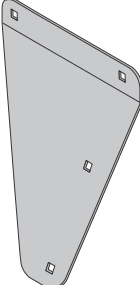
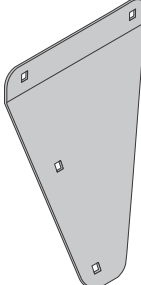
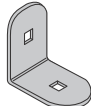
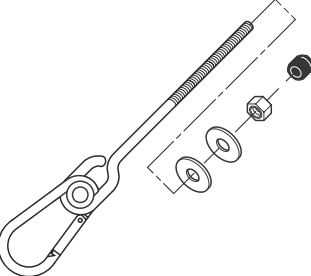
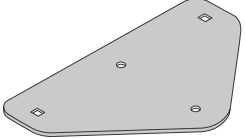
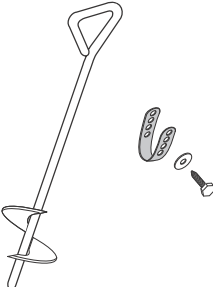
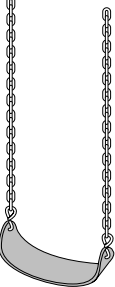
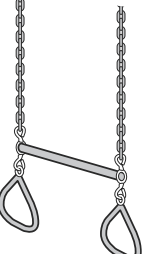
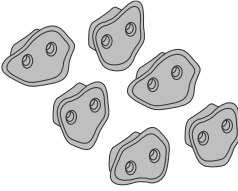
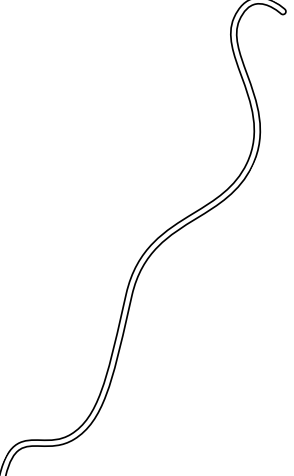

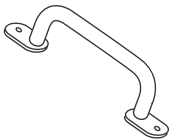
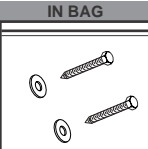
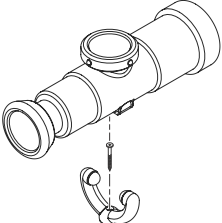
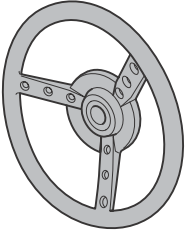
WOOD PARTS LIST

WOOD PARTS

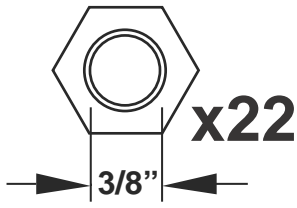
| | | | |
|---|---|--|---|
| <p>1 x 3-1/2 x 45-1/8"</p>  <p>2526-CC x1</p> | <p>1 x 3-1/2 x 45-1/8"</p>  <p>2501-CC x11</p> | <p>1-1/2 x 3-1/2 x 18"</p>  <p>1020-CC x8</p> | <p>1-3/8 x 3-3/8 x 51"</p>  <p>2521-CC x1</p> |
| <p>1-1/2 x 3-1/2 x 47-1/8"</p>  <p>2517-CC x1</p> | <p>3/4 x 2-1/2 x 45-1/8"</p>  <p>2516-CC x1</p> | <p>3/4 x 5-1/2 x 23-3/4"</p>  <p>2527-CC x1</p> | <p>1-3/8 x 3-3/8 x 51"</p>  <p>2522-CC x1</p> |
| <p>1 x 3-1/2 x 47-1/8"</p>  <p>2518-CC x2</p> | <p>3/4 x 5-1/2 x 44-7/8"</p>  <p>2509-CC x7</p> | <p>3/4 x 5-1/2 x 23-3/4"</p>  <p>2519-CC x8</p> | <p>3 x 3 x 95"</p>  <p>2525-CC x2</p> |
| <p>5/8 x 3-1/4 x 29-3/4"</p>  <p>2523-CC x16</p> | <p>1-3/8 x 3-3/8 x 47-3/4"</p>  <p>2515-CC x1</p> | <p>3 x 3 x 95"</p>  <p>2503-CC x2</p> | <p>3 x 3 x 95"</p>  <p>2543-CC x2</p> |
| <p>1 x 5-1/2 x 45-1/8"</p>  <p>2507-CC x3</p> | <p>3 x 3 x 45-1/8"</p>  <p>2505-CC x1</p> | <p>3 x 3 x 95"</p>  <p>2539-CC x1</p> | <p>3 x 3 x 95"</p>  <p>2502-CC x1</p> |
| <p>1 x 3-1/2 x 47"</p>  <p>2539-CC x1</p> | <p>1 x 3-1/2 x 40-1/2"</p>  <p>2504-CC x4</p> | <p>3 x 3 x 95"</p>  <p>2543-CC x2</p> | <p>3-3/8 x 5-3/8 x 95"</p>  <p>2502-CC x1</p> |
| <p>3/4 x 3 x 38-7/8"</p>  <p>2510-CC x2</p> | <p>1-3/8 x 3-3/8 x 51"</p>  <p>2520-CC x1</p> | <p>1 x 3-1/2 x 17"</p>  <p>2222-CC x1</p> | <p>1 x 3-1/2 x 68-1/2"</p>  <p>2506-CC x1</p> |
| <p>1 x 3-1/2 x 17"</p>  <p>2222-CC x1</p> | <p>1 x 3-1/2 x 27"</p>  <p>2514-CC x1</p> | <p>1 x 3-1/2 x 15-3/8"</p>  <p>2524-CC x4</p> | <p>1 x 5-1/2 x 71-3/4"</p>  <p>2508-CC x1</p> |
| <p>1 x 3-1/2 x 15-3/8"</p>  <p>2524-CC x4</p> | <p>1 x 3-1/2 x 12"</p>  <p>2568-CC x2</p> | <p>1-1/2 x 2-1/2 x 24"</p>  <p>2490-CC x1</p> | <p>1 x 3-1/2 x 53-7/8"</p>  <p>2500-CC x2</p> |
| <p>1-1/2 x 2-1/2 x 24"</p>  <p>2490-CC x1</p> | <p>1 x 1-3/8 x 17"</p>  <p>1015-CC x1</p> | | |

H A R D W A R E

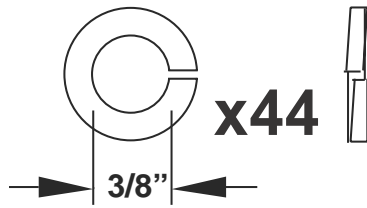
A C C E S S O R I E S

| | | | |
|--|--|---|--|
| <p>90° Angle Bracket Plate</p>  <p>2485 x1</p> | <p>Swing Beam 90° Plate</p>  <p>2449 x1</p> | <p>Swing Beam Angled Plate Left</p>  <p>2448 x1</p> | <p>Swing Beam Angled Plate Right</p>  <p>2447 x1</p> |
| <p>L-Bracket</p>  <p>2412 x4</p> | | | |
| <p>Swing Hanger</p>  <p>2631 x6</p> | <p>Swing Beam Flat Plate</p>  <p>2411 x1</p> | <p>Auger Stake</p>  <p>WS 4522 x4</p> | |
| <p>Swing</p>  <p>WS 4885 x2</p> | <p>Trapeze</p>  <p>WS 2435 x1</p> | <p>Climbing Rocks</p>  <p>WS 4542 x6</p> | |
| <p>Rope</p>  <p>SA 3097 x1</p> | <p>Plaque</p>  <p>2630 x1</p> <p>x4</p> | <p>Safety Handle</p>  <p>WS 4410 x4</p> <p>IN BAG</p>  | |
| <p>Telescope</p>  <p>WS 4610 x1</p> | <p>Steering Wheel</p>  <p>WS 4412 x1</p> | | |

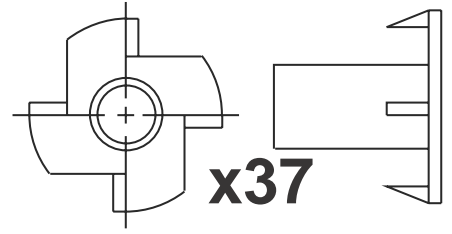
3/8" LOCK NUT



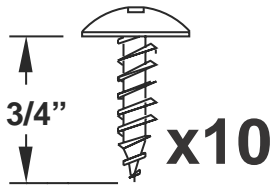
3/8" LOCK WASHER



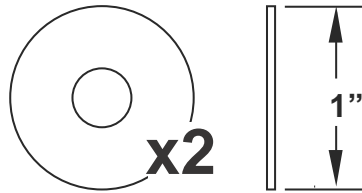
3/8" T - NUT



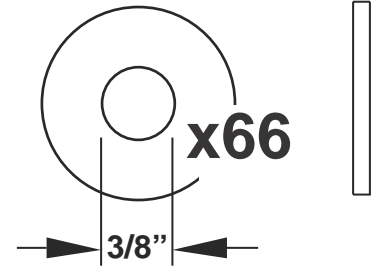
TRUSS HEAD SCREW



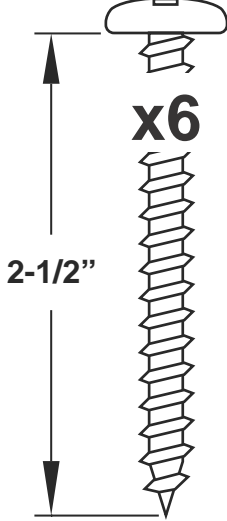
1/4" x 1" FENDER WASHER



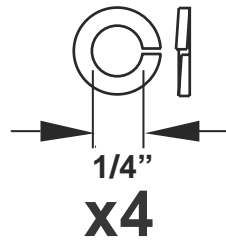
3/8" FLAT WASHER



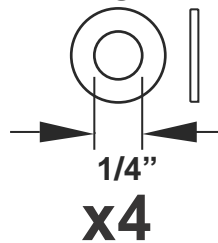
2-1/2" PAN HEAD SCREW



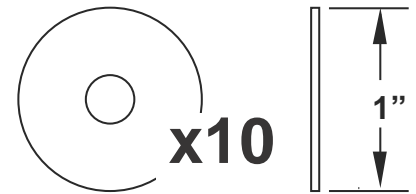
1/4" LOCK WASHER



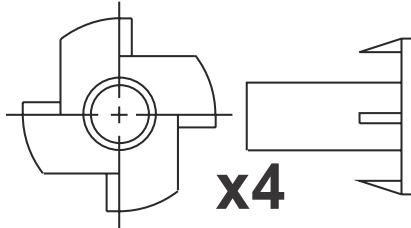
1/4" FLAT WASHER



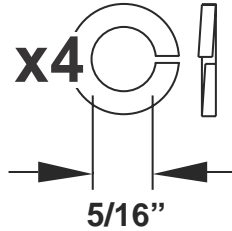
3/16" x 1" FENDER WASHER



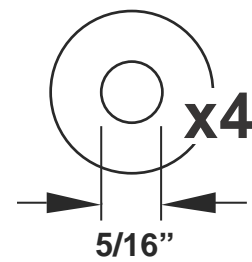
5/16" T - NUT



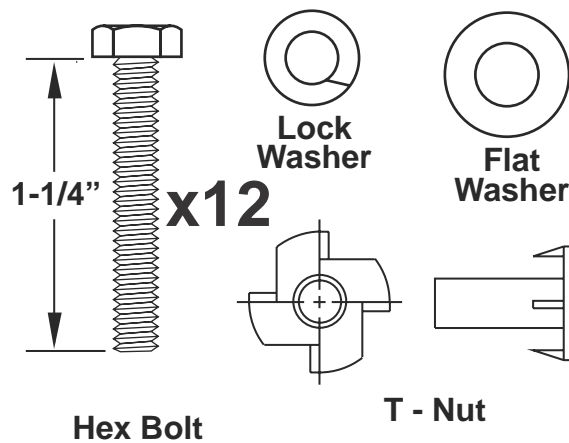
5/16" LOCK WASHER



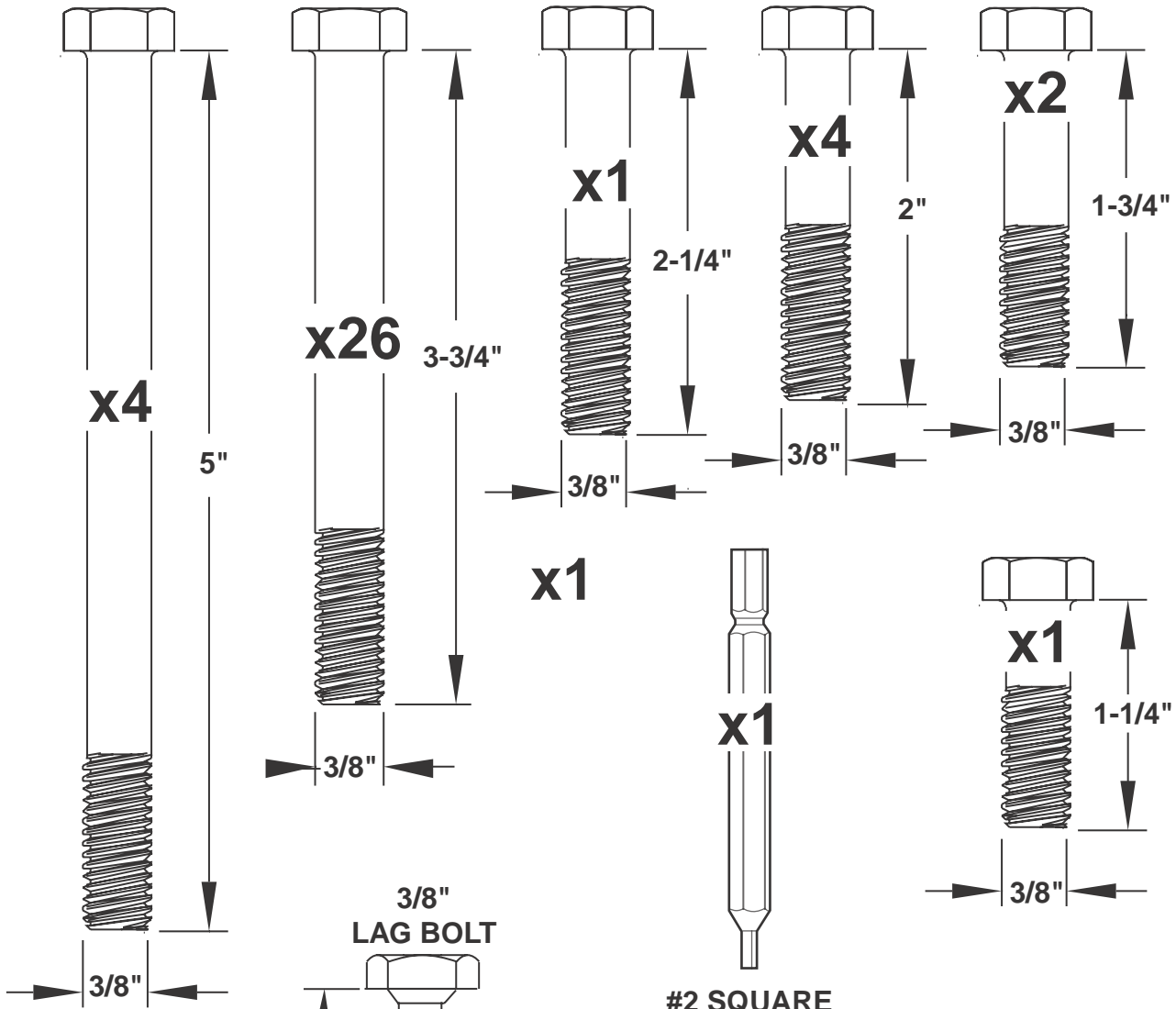
5/16" FLAT WASHER



1/4" ROCK WALL HARDWARE

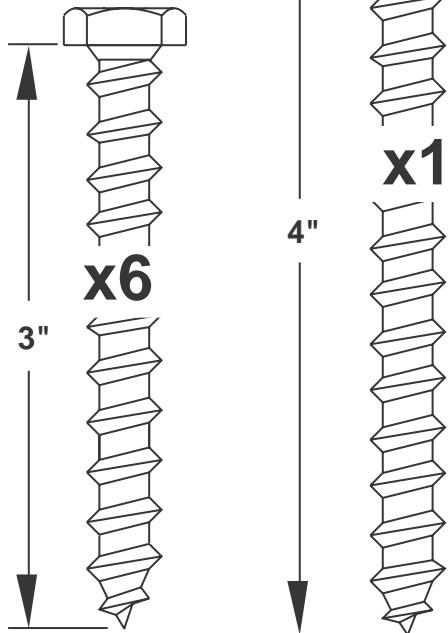


3/8" HEX HEAD BOLTS



3/8" LAG BOLT

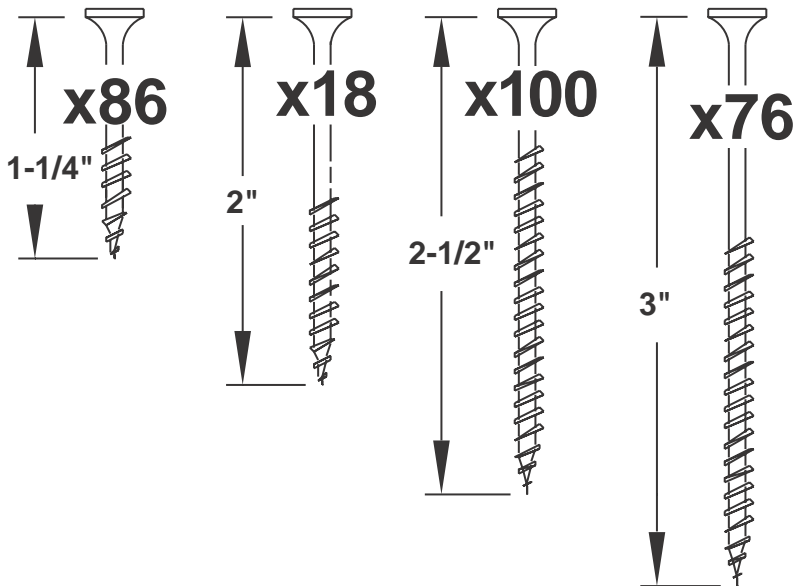
3/8" LAG BOLT



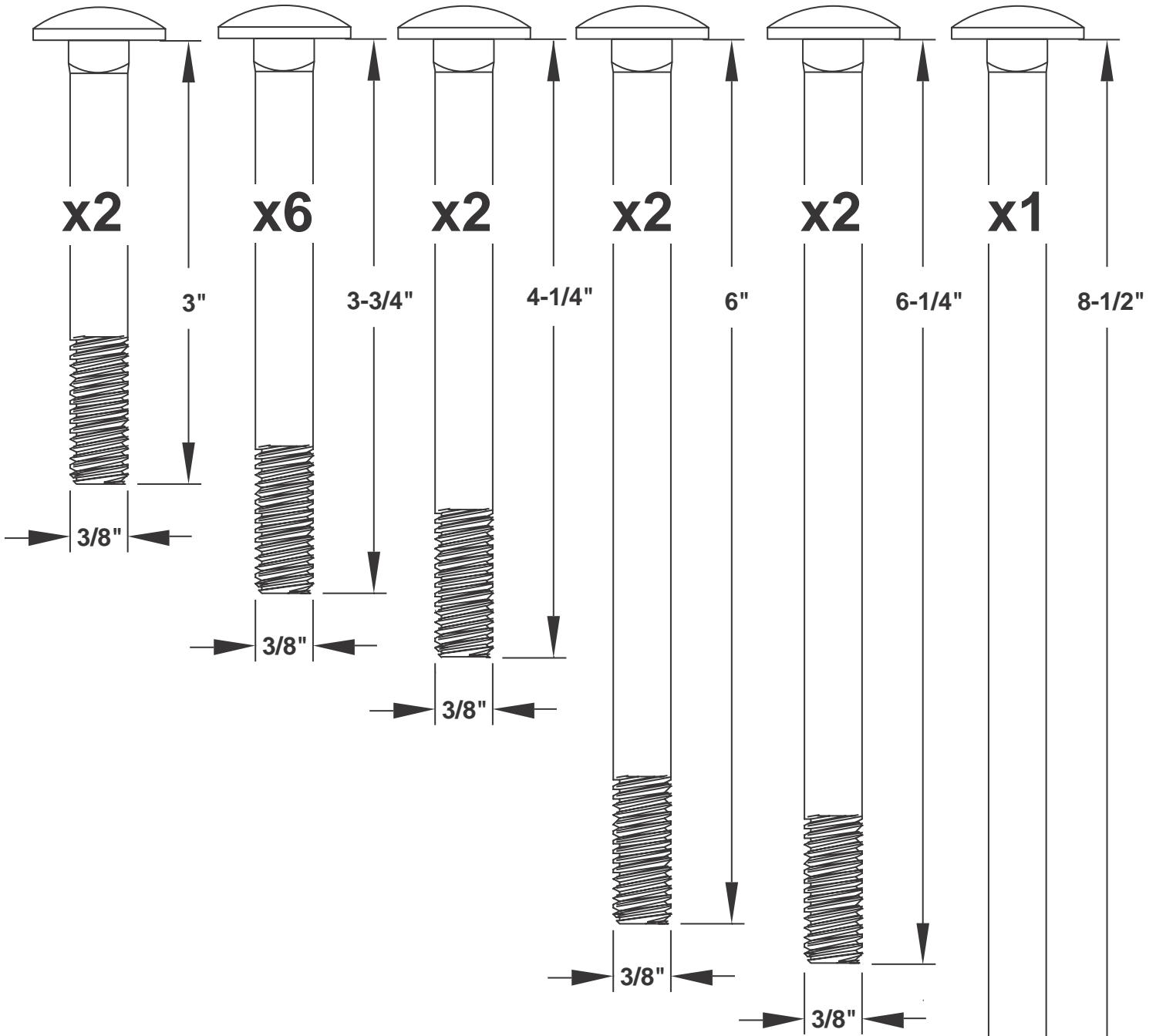
#2 SQUARE DRIVE BIT



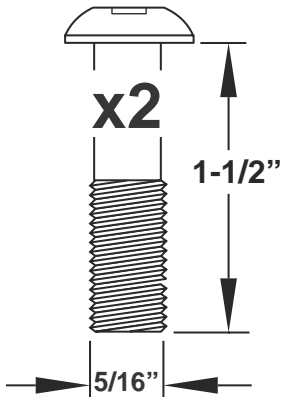
WOOD SCREWS



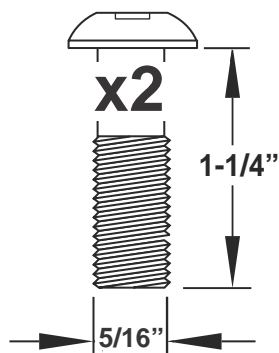
A C T U A L S I Z E S H O W N



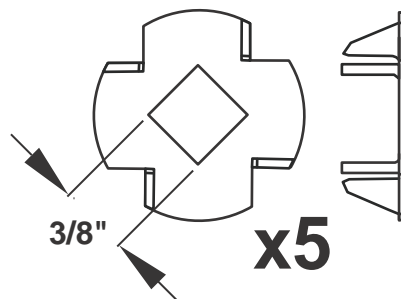
BUTTON HD. SCREW



BUTTON HD. SCREW


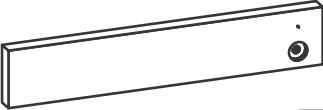





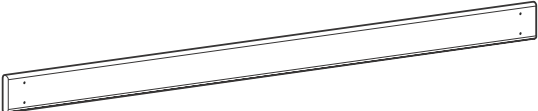

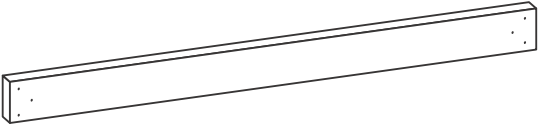
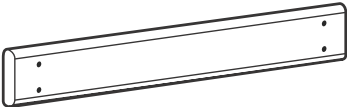
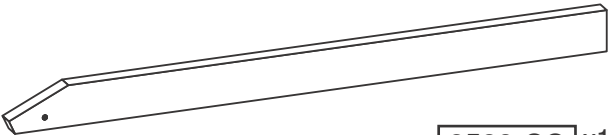
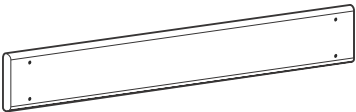
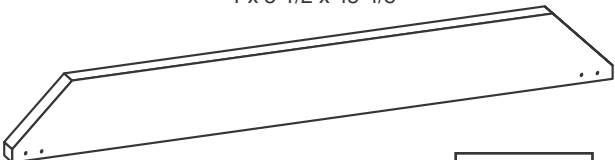
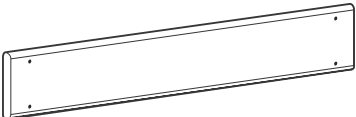

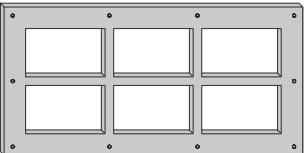


3/8" TORQUE WASHER



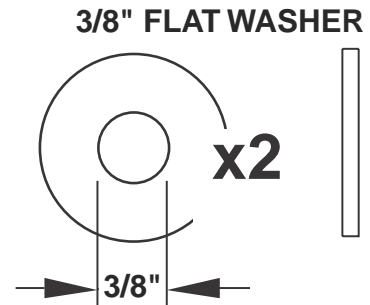
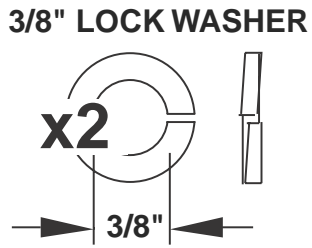
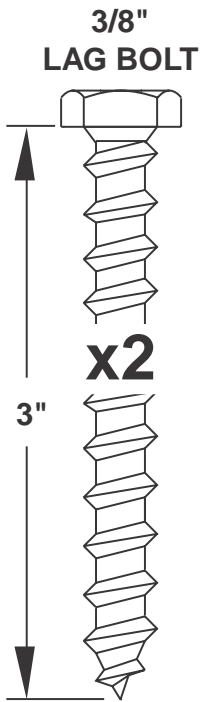
CLUBHOUSE PARTS LIST

CLUBHOUSE PARTS

| | |
|--|---|
| <p>1 x 3 x 6-15/16"</p>  <p>2850-CC x1</p> | <p>1 x 3-1/2 x 19-1/4"</p>  <p>2862-CC x1</p> |
| <p>1 x 3 x 10-7/16"</p>  <p>2851-CC x2</p> | <p>1 x 3-1/2 x 16"</p>  <p>2863-CC x1</p> |
| <p>5/8 x 1-7/8 x 12-7/16"</p>  <p>2852-CC x2</p> | <p>5/16 x 2-15/16 x 16-13/16"</p>  <p>2864-CC x2</p> |
| <p>5/8 x 3-1/4 x 12-7/16"</p>  <p>2853-CC x5</p> | <p>5/8 x 3-1/4 x 46-3/4"</p>  <p>2857-CC x6</p> |
| <p>5/8 x 3-1/4 x 14-3/4"</p>  <p>2855-CC x8</p> | <p>3/4 x 3-1/2 x 45-1/8"</p>  <p>2856-CC x2</p> |
| <p>5/8 x 3-1/4 x 19-7/16"</p>  <p>2858-CC x6</p> | <p>1-3/8 x 3-3/8 x 51"</p>  <p>2520-CC x1</p> |
| <p>5/8 x 4-3/4 x 29-3/4"</p>  <p>2859-CC x2</p> | <p>1 x 5-1/2 x 45-4/8"</p>  <p>2854-CC x2</p> |
| <p>5/8 x 5-3/4 x 29-3/4"</p>  <p>2860-CC x2</p> | |
| <p>1 x 3-1/2 x 19-1/4"</p>  <p>2861-CC x1</p> |  <p>PF-2990 x2</p> |

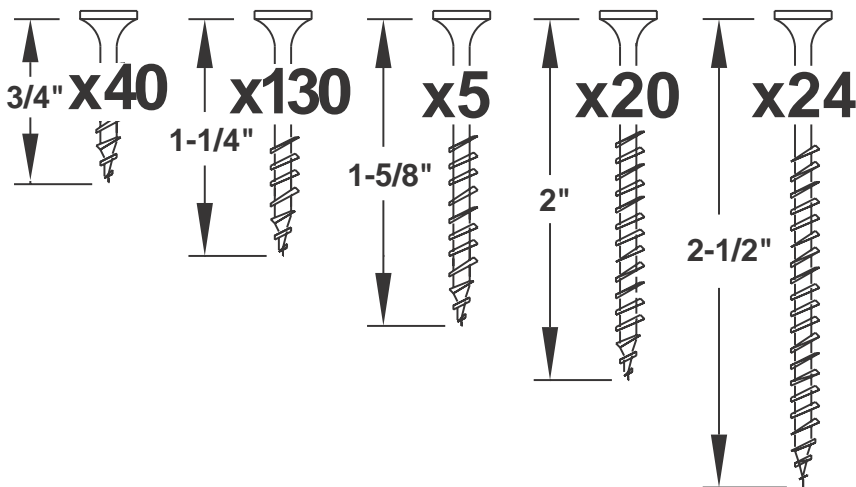
CLUBHOUSE HARDWARE

C L U B H O U S E F A S T E N E R S



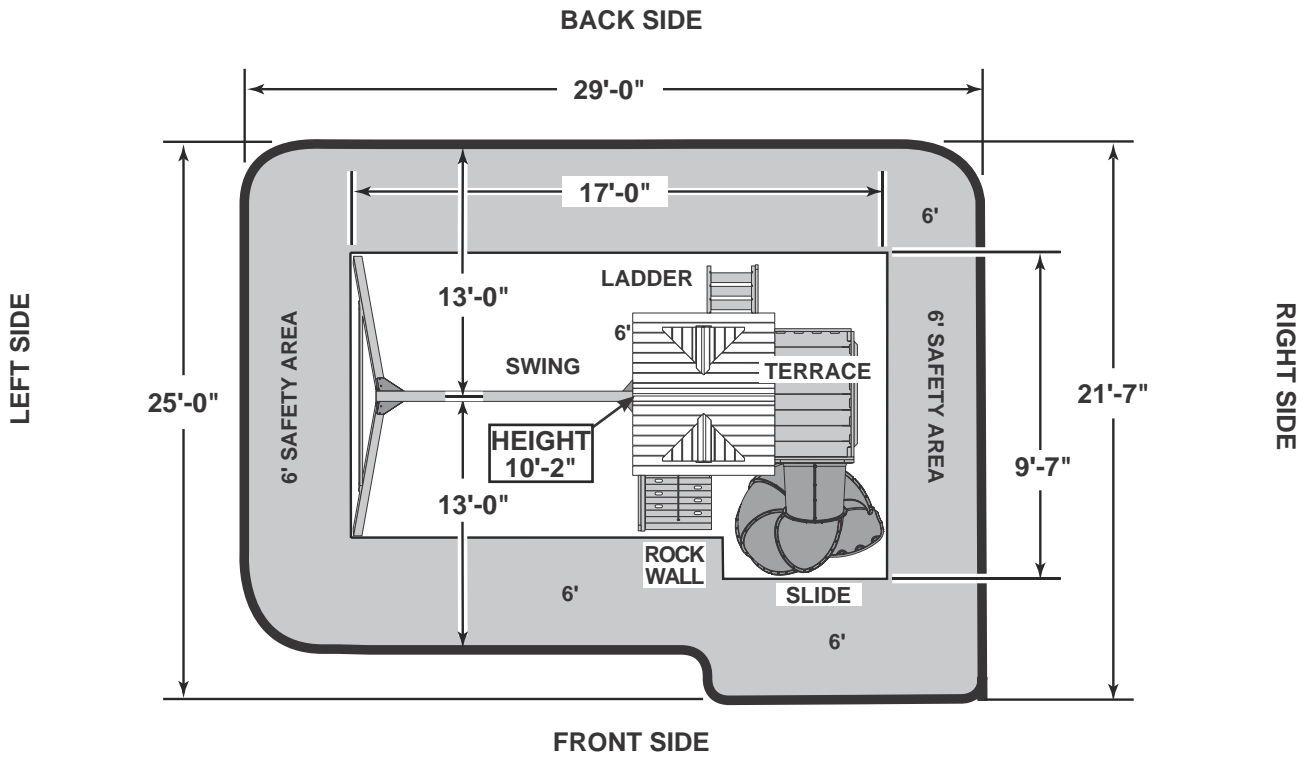
A C T U A L
S I Z E

WOOD SCREWS



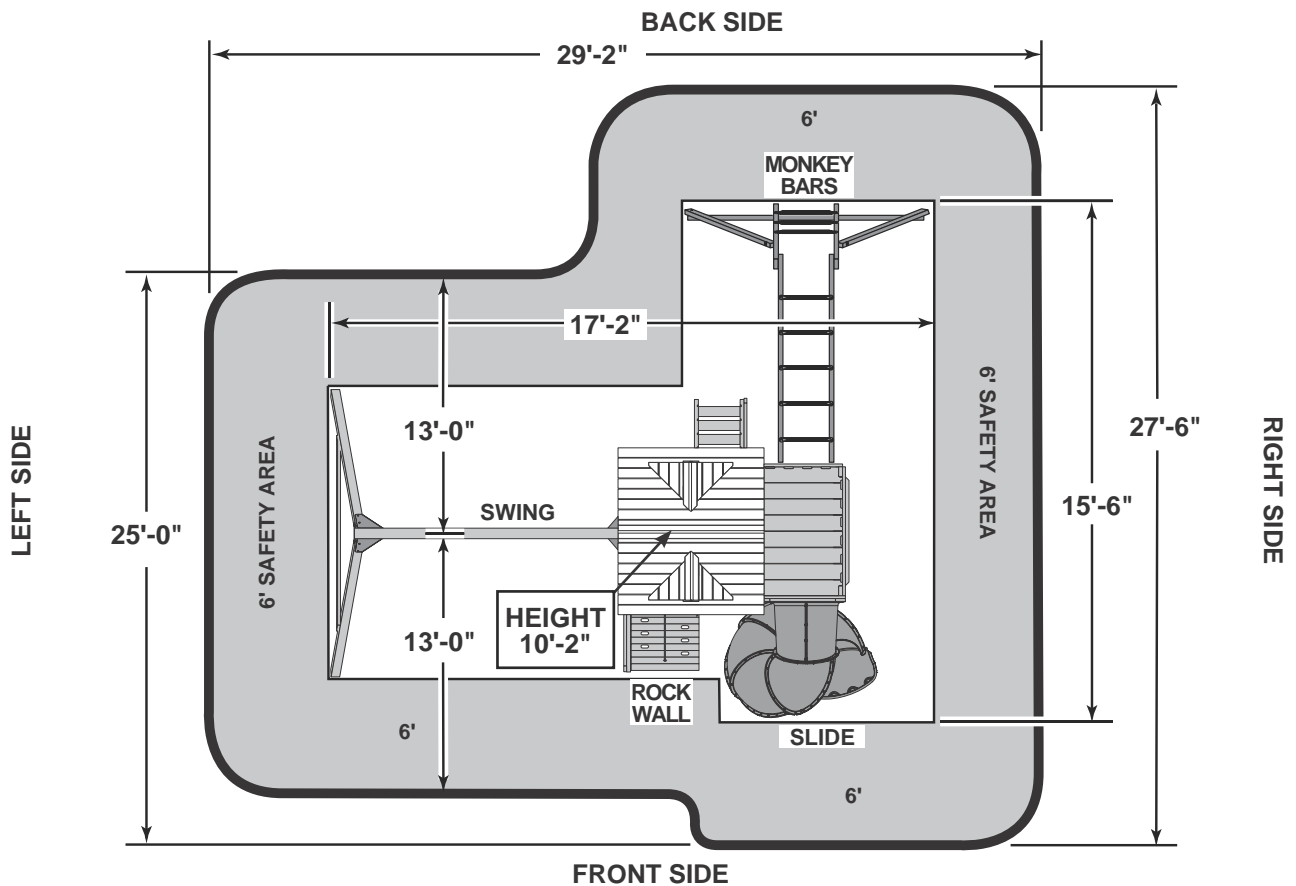
PLAYSET SET-UP

SAFETY AREA



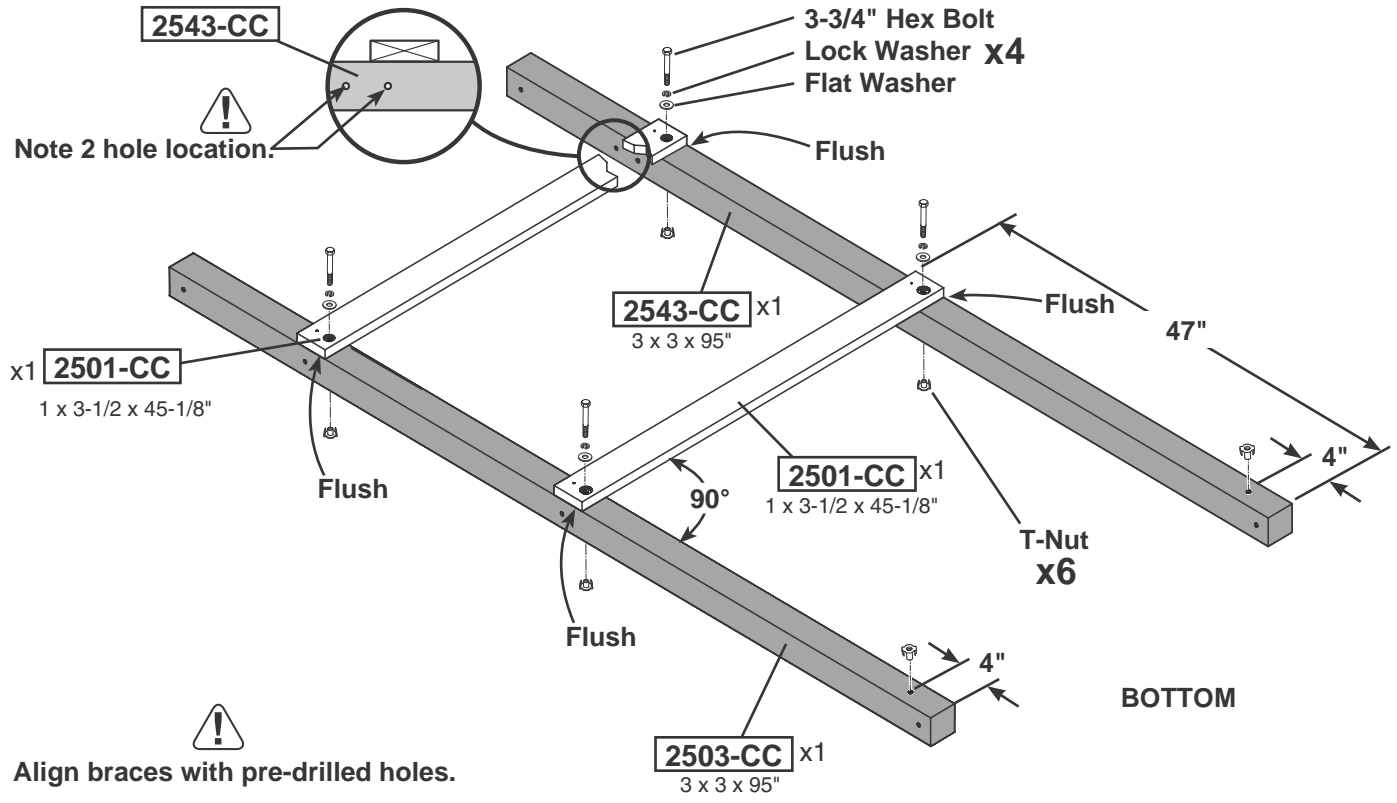
PLAYSET SET-UP WITH MONKEY BARS

SAFETY AREA



FORT

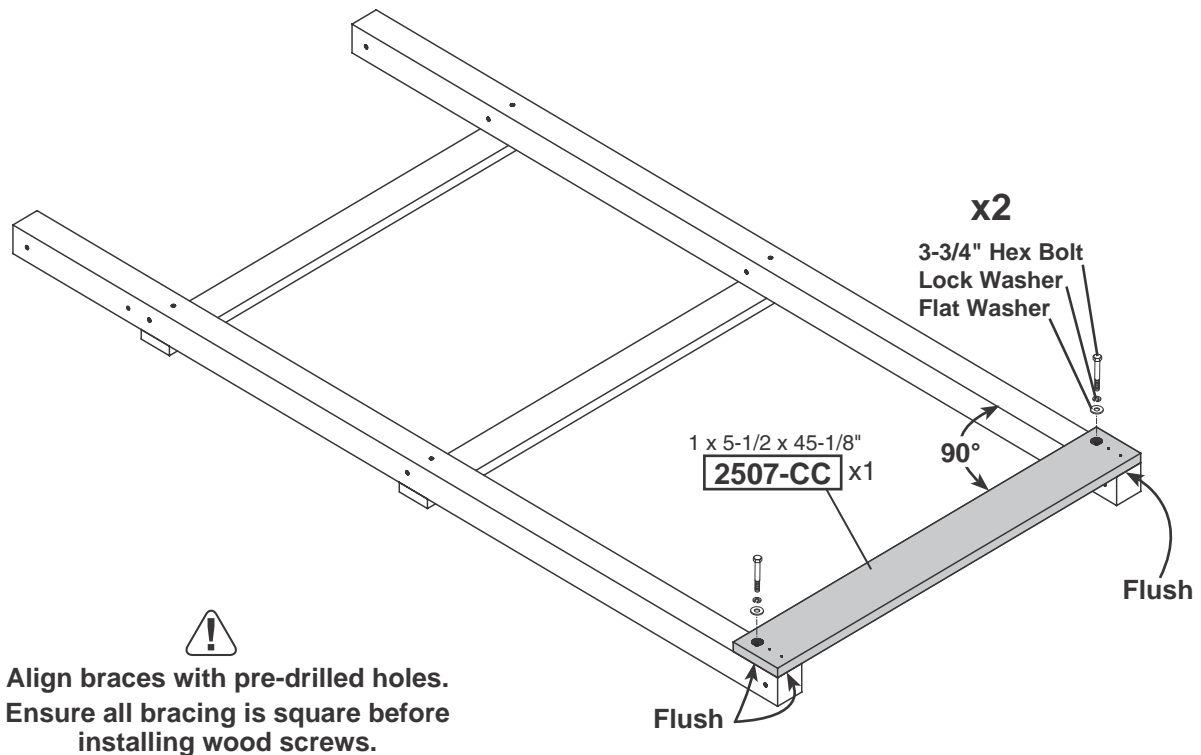
CORNER POSTS



FORT

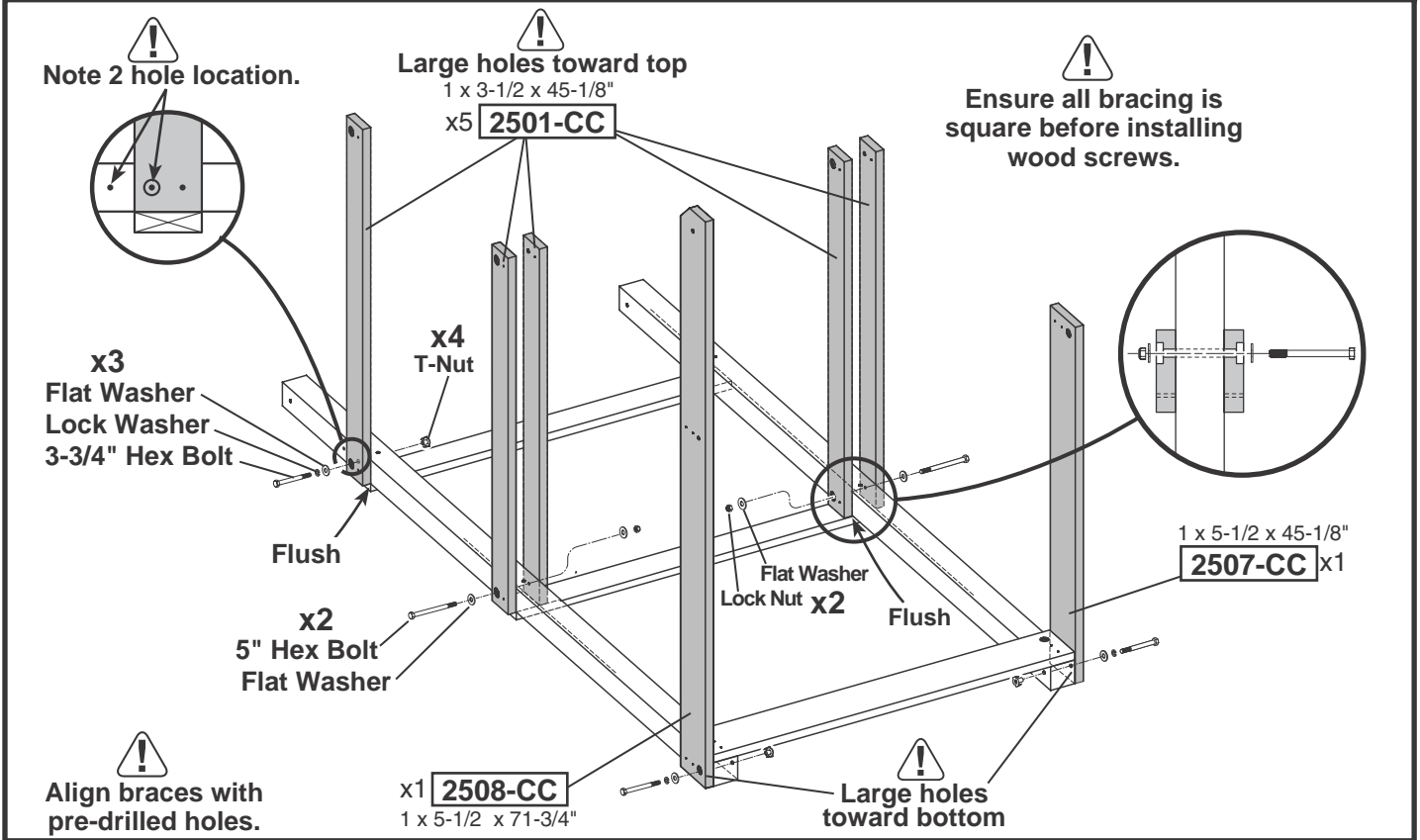
BASE

FLIP ASSEMBLY OVER TO INSTALL BOTTOM BRACE.



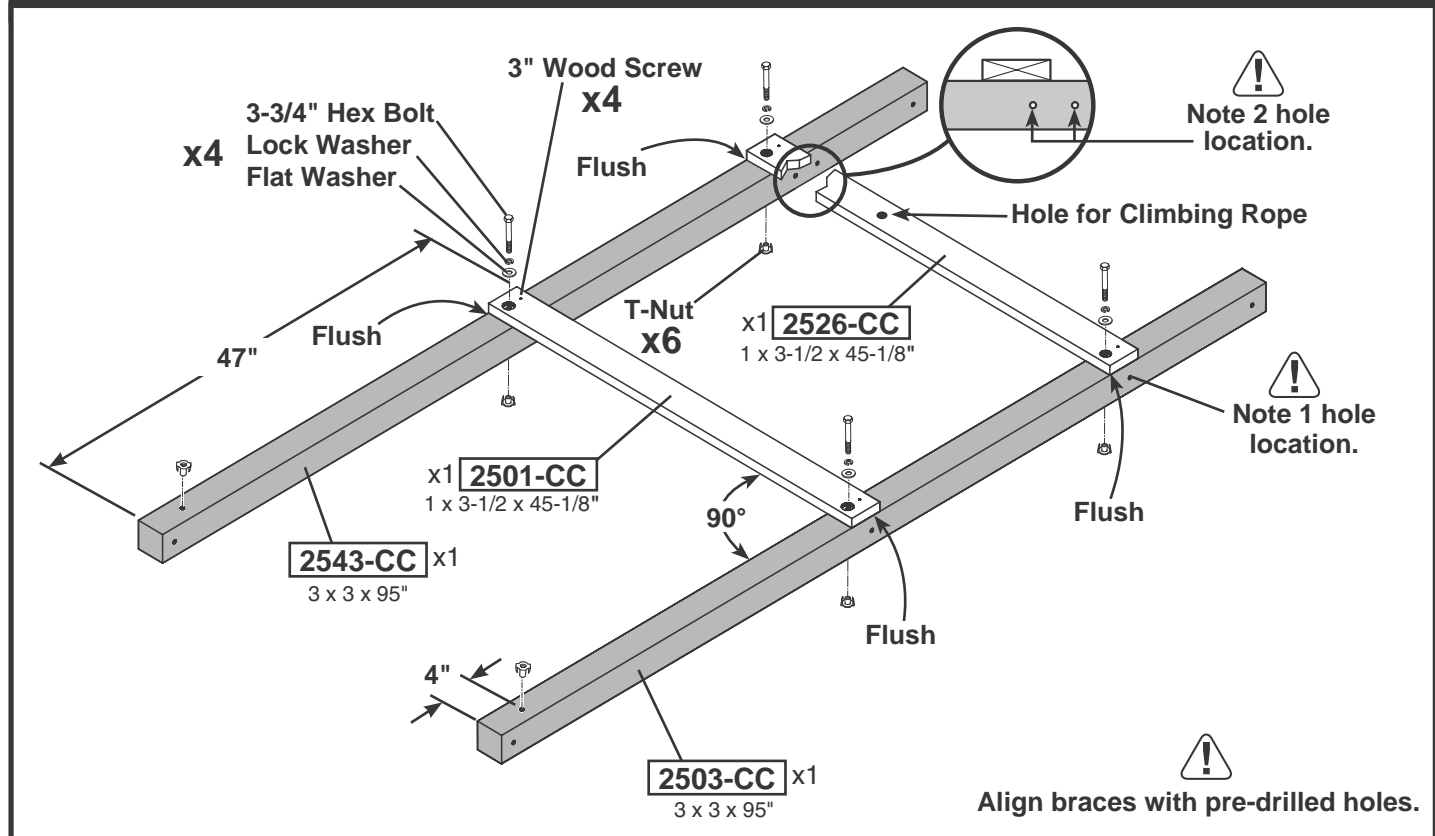
FORT

CORNER POSTS



FORT

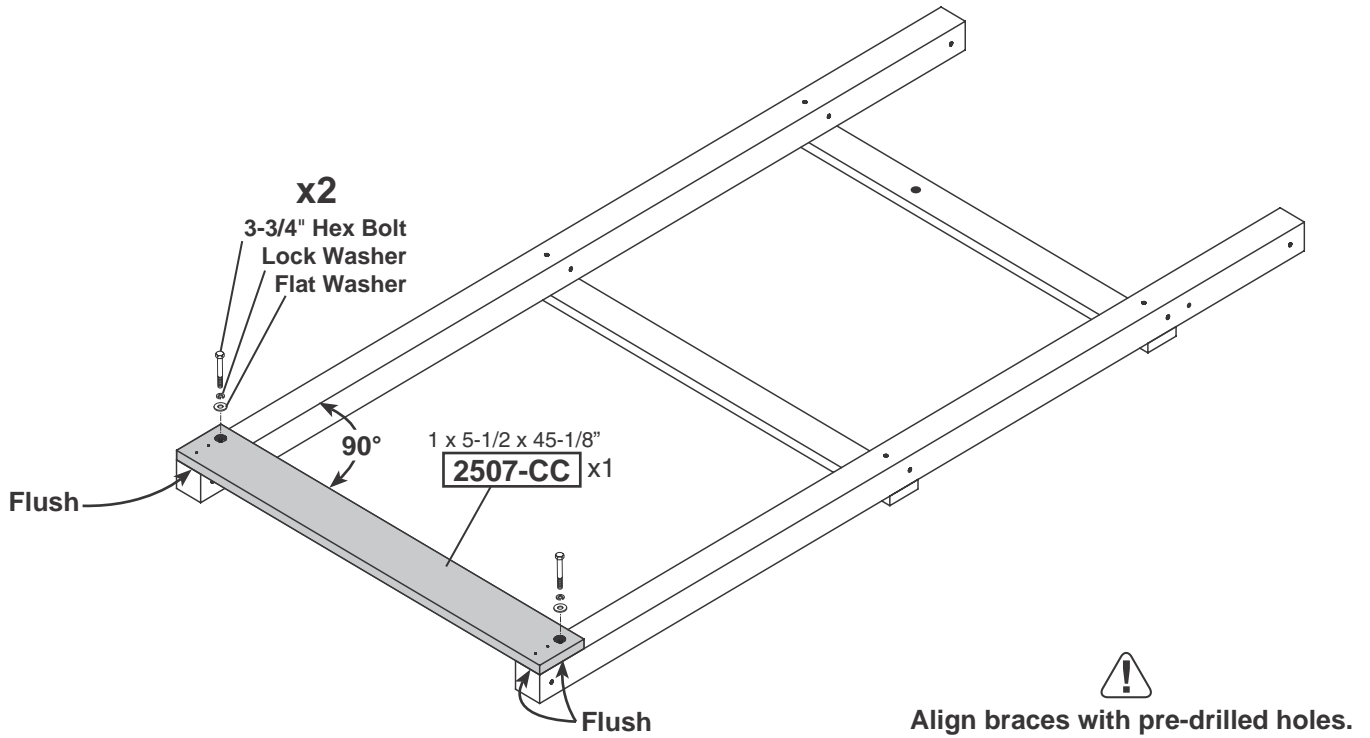
CORNER POSTS



FORT

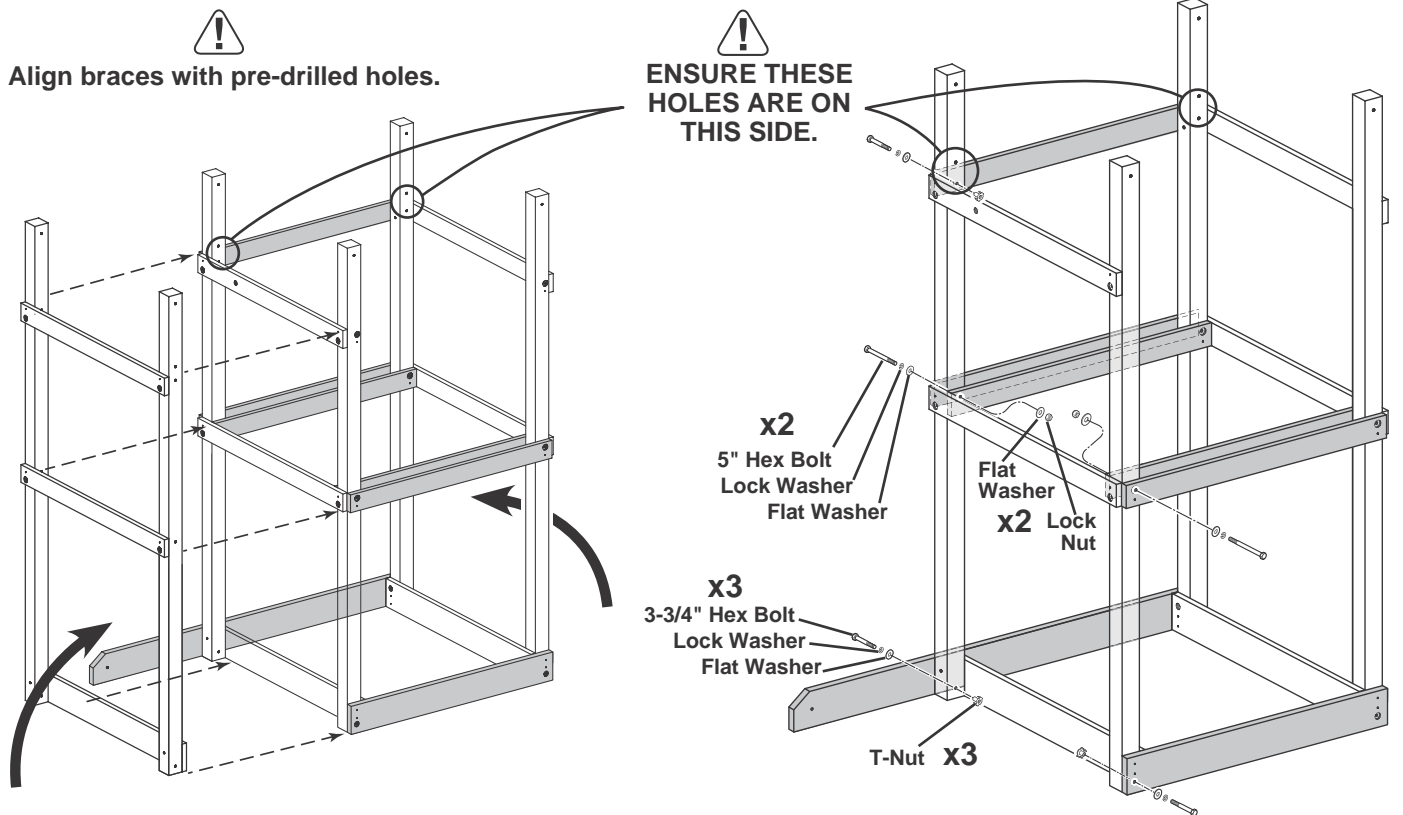
BASE

FLIP ASSEMBLY OVER TO INSTALL BOTTOM BRACE.



FORT

CONNECT FRAME SECTIONS



FORT

CONNECT FRAME SECTIONS

Ensure all parts are level and square before tightening bolts.



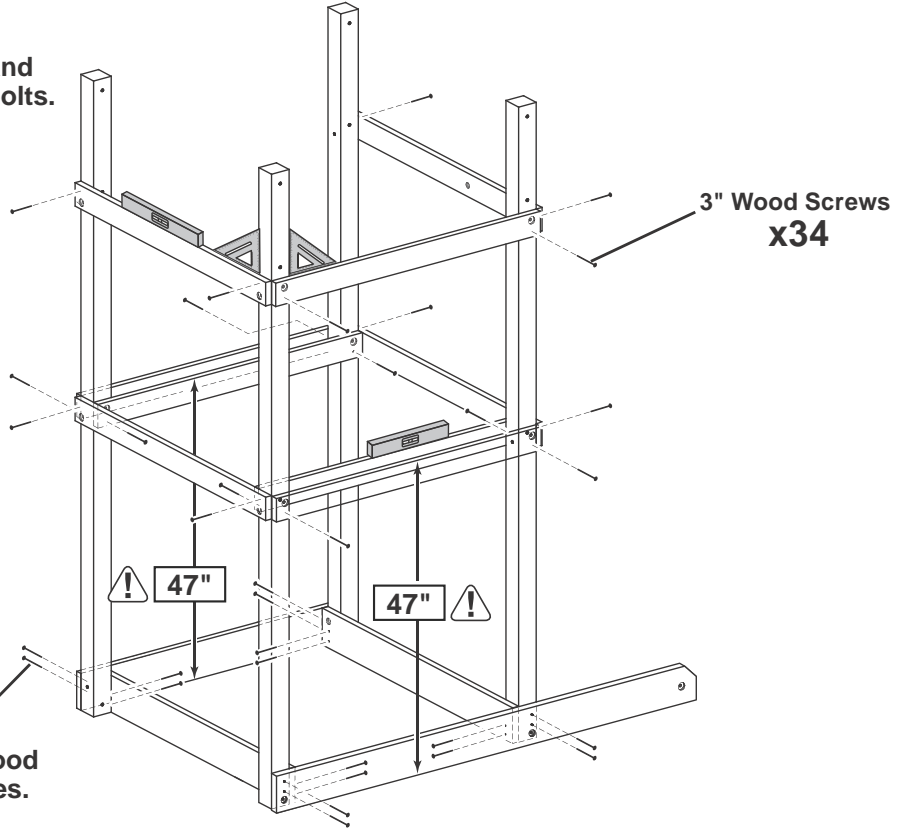
Add screws after tightening bolts.



Ensure 47" measurement from bottom of base to top of boards.

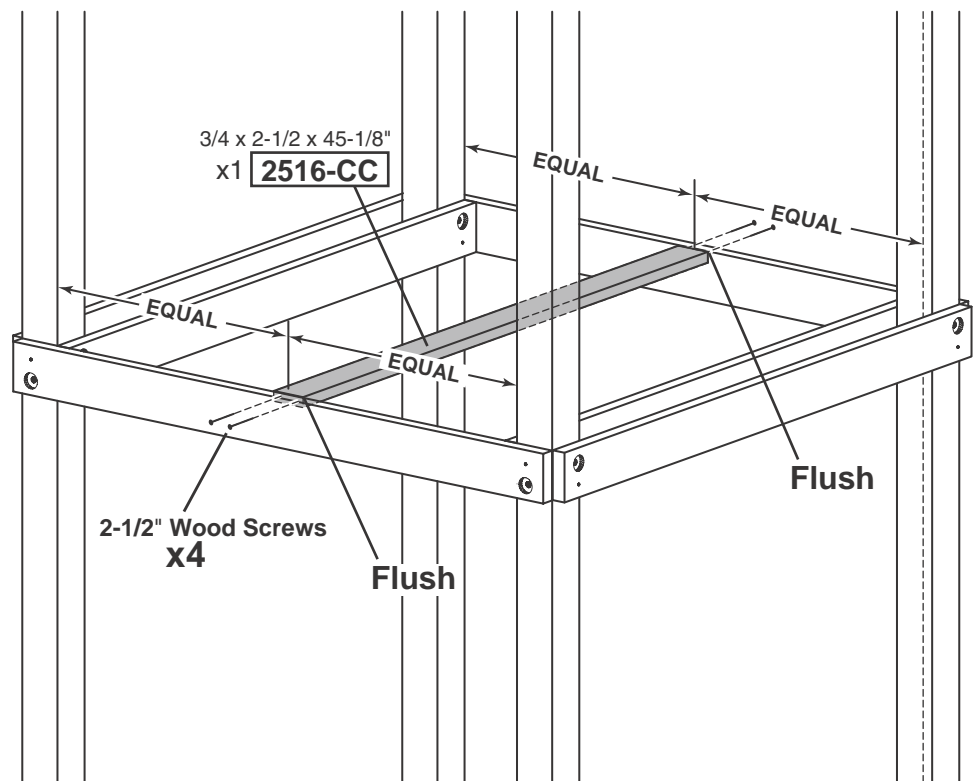
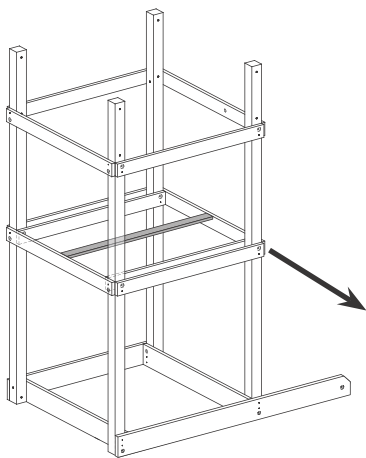


Reinforce bracing with 3" wood screws at all pre-drilled holes.



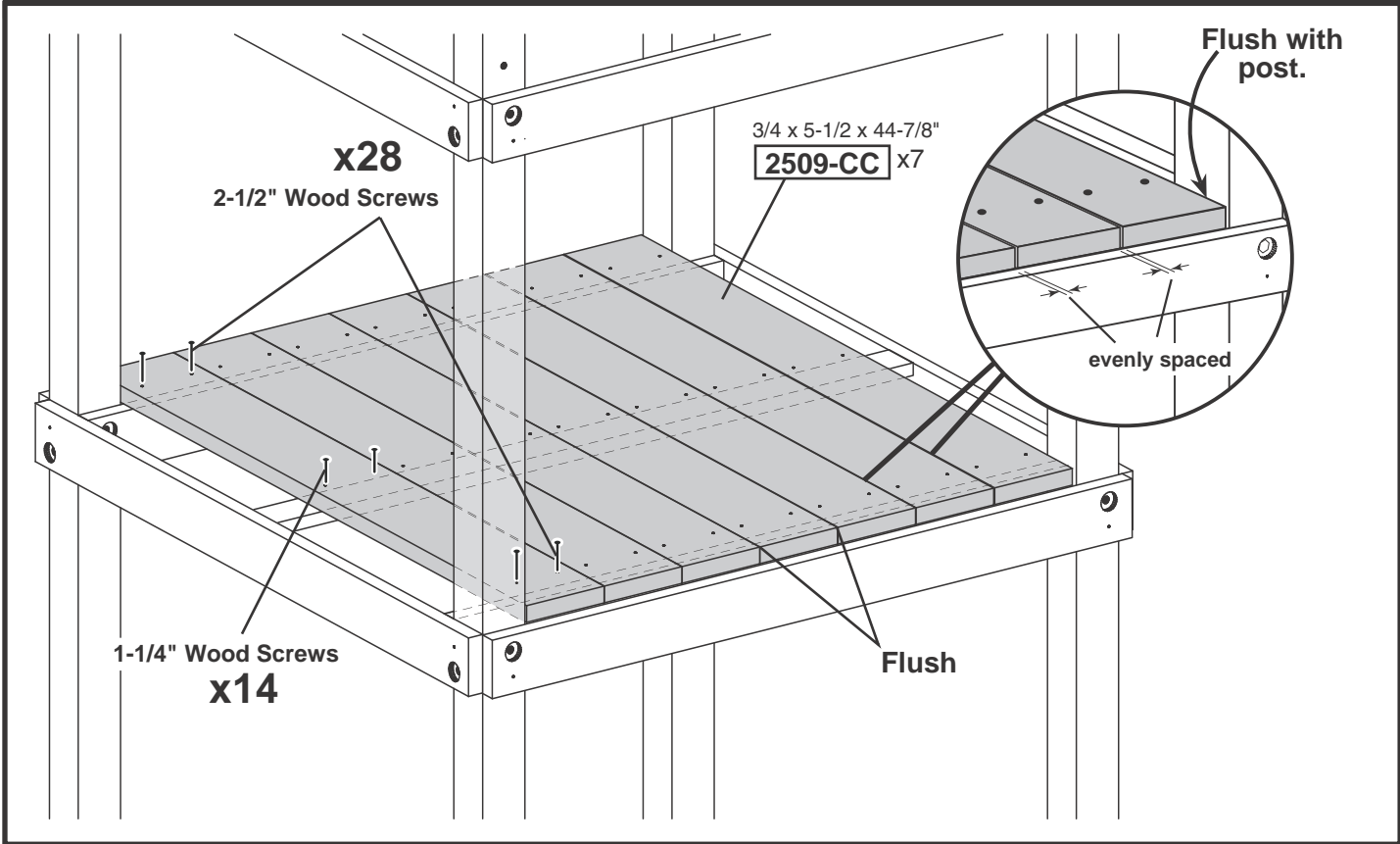
FORT

DECK CLEAT



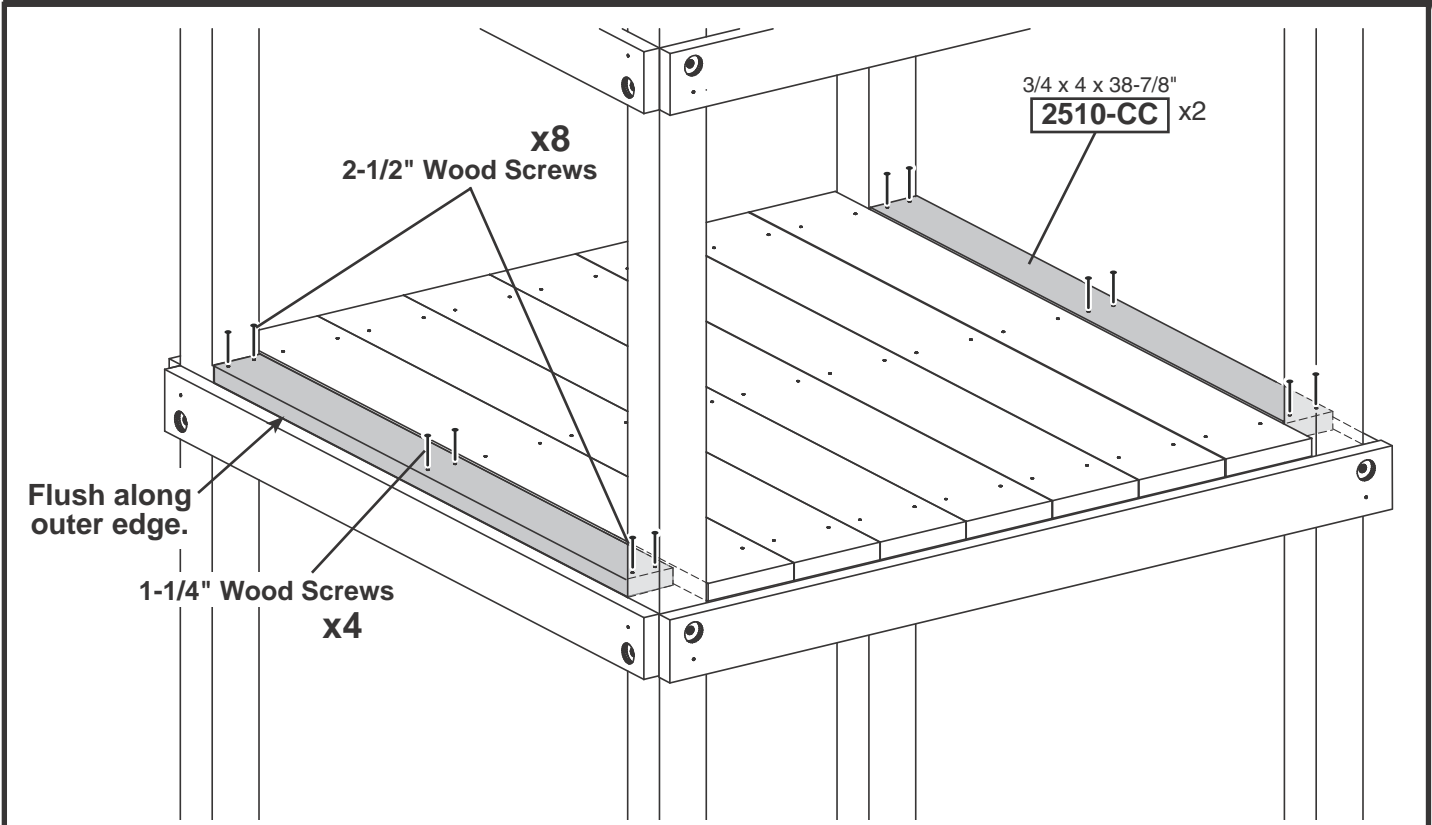
FORT

DECK PLANKS



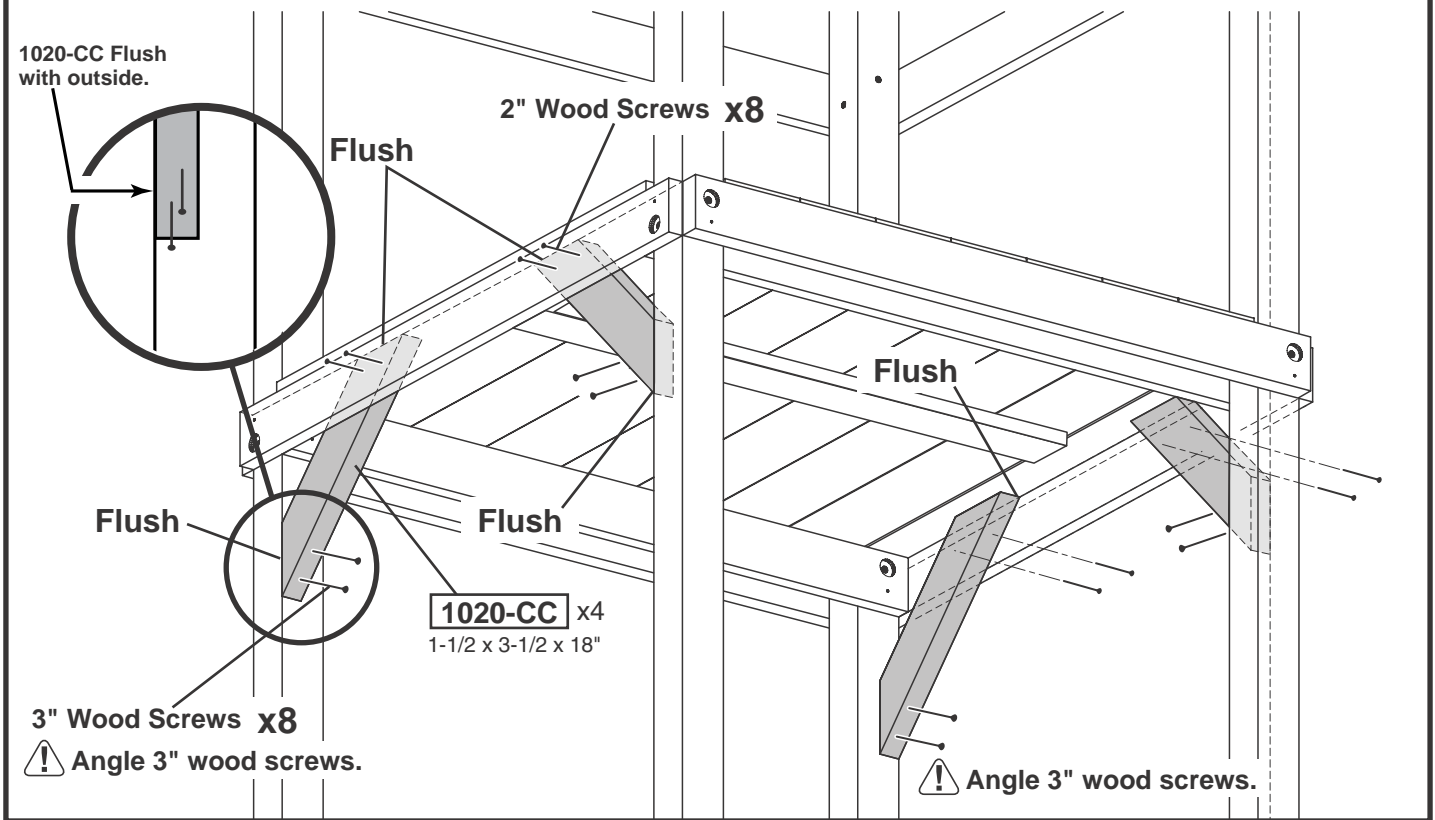
FORT

DECK PLANKS



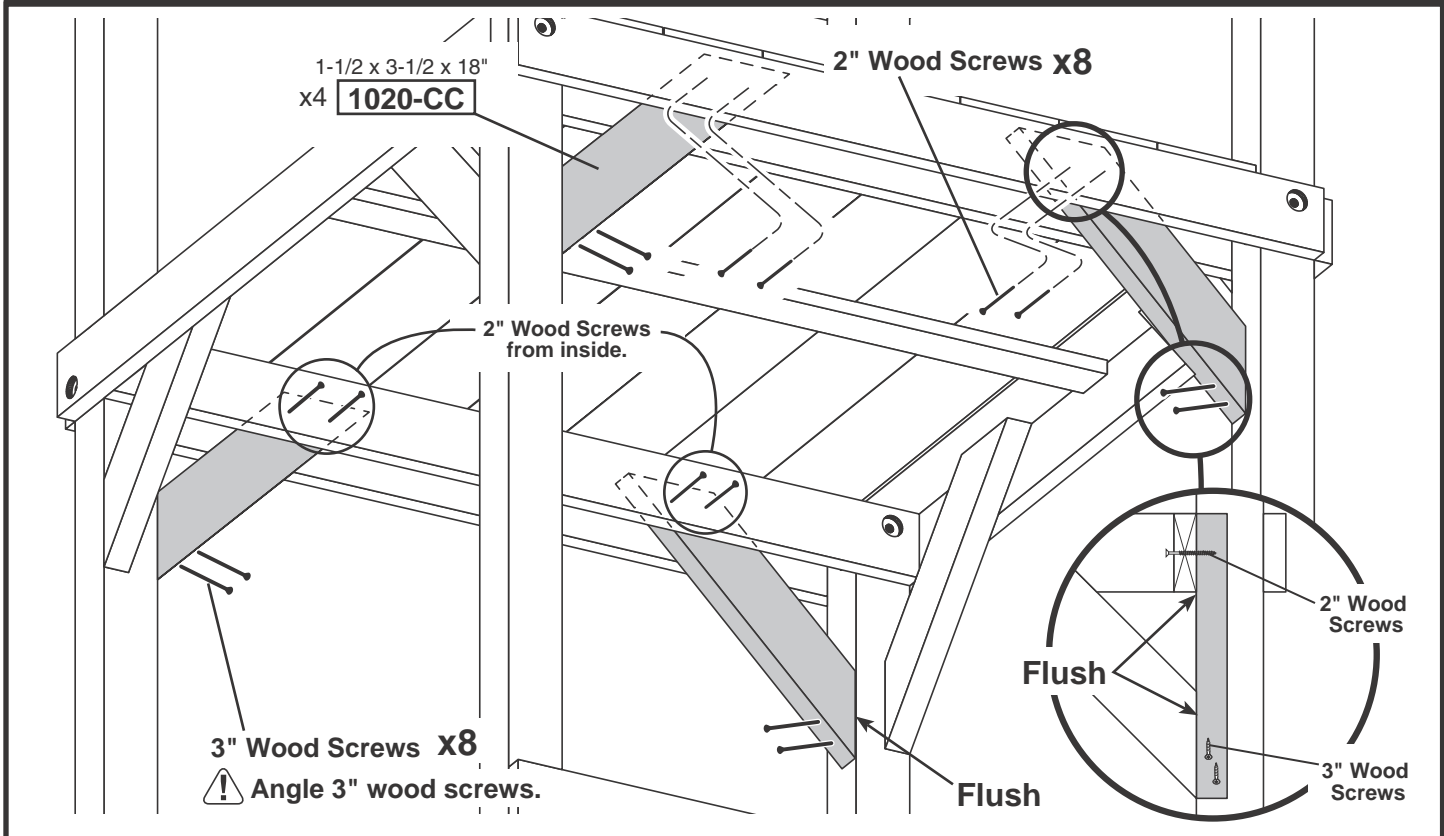
FORT

DECK SUPPORT



FORT

DECK SUPPORT

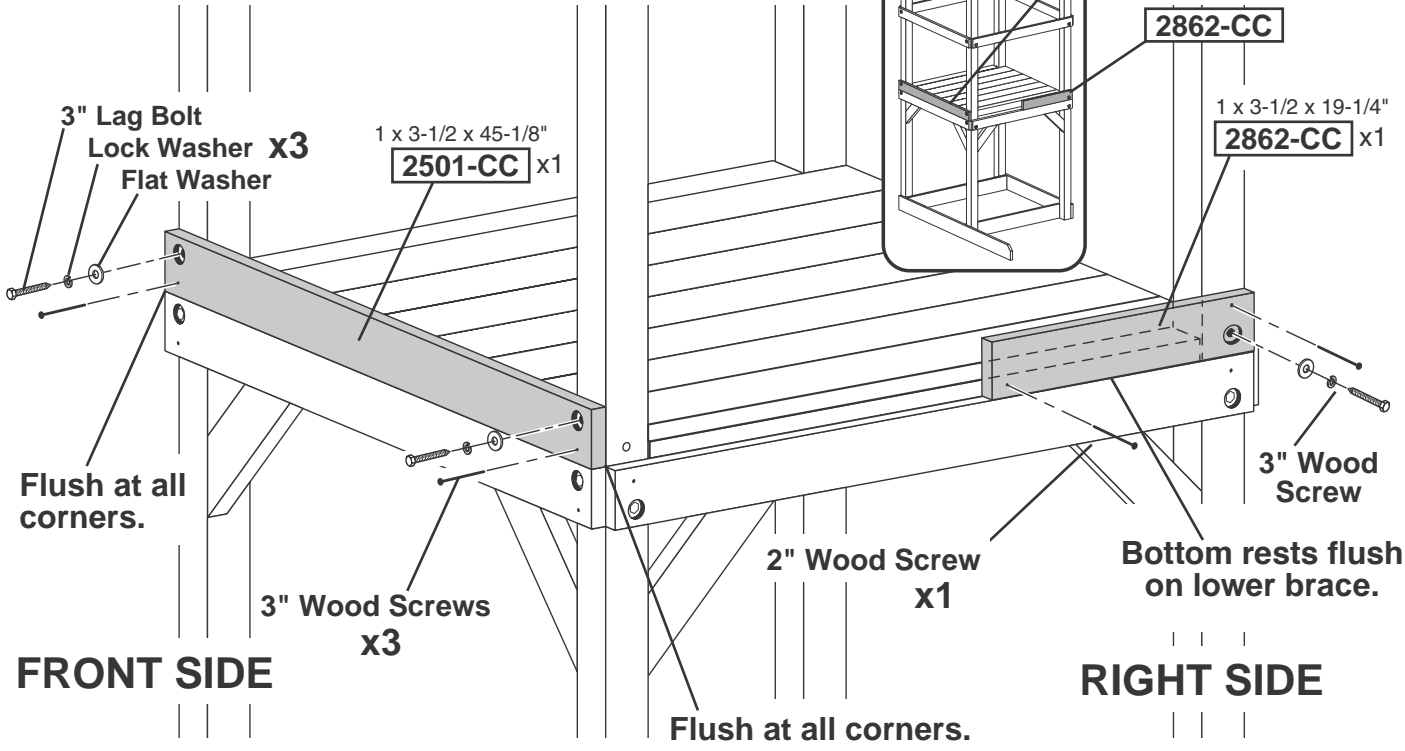
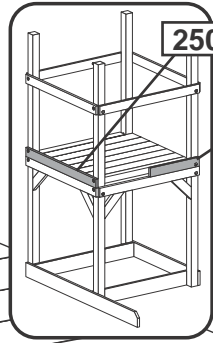


FORT

BALUSTER SUPPORT

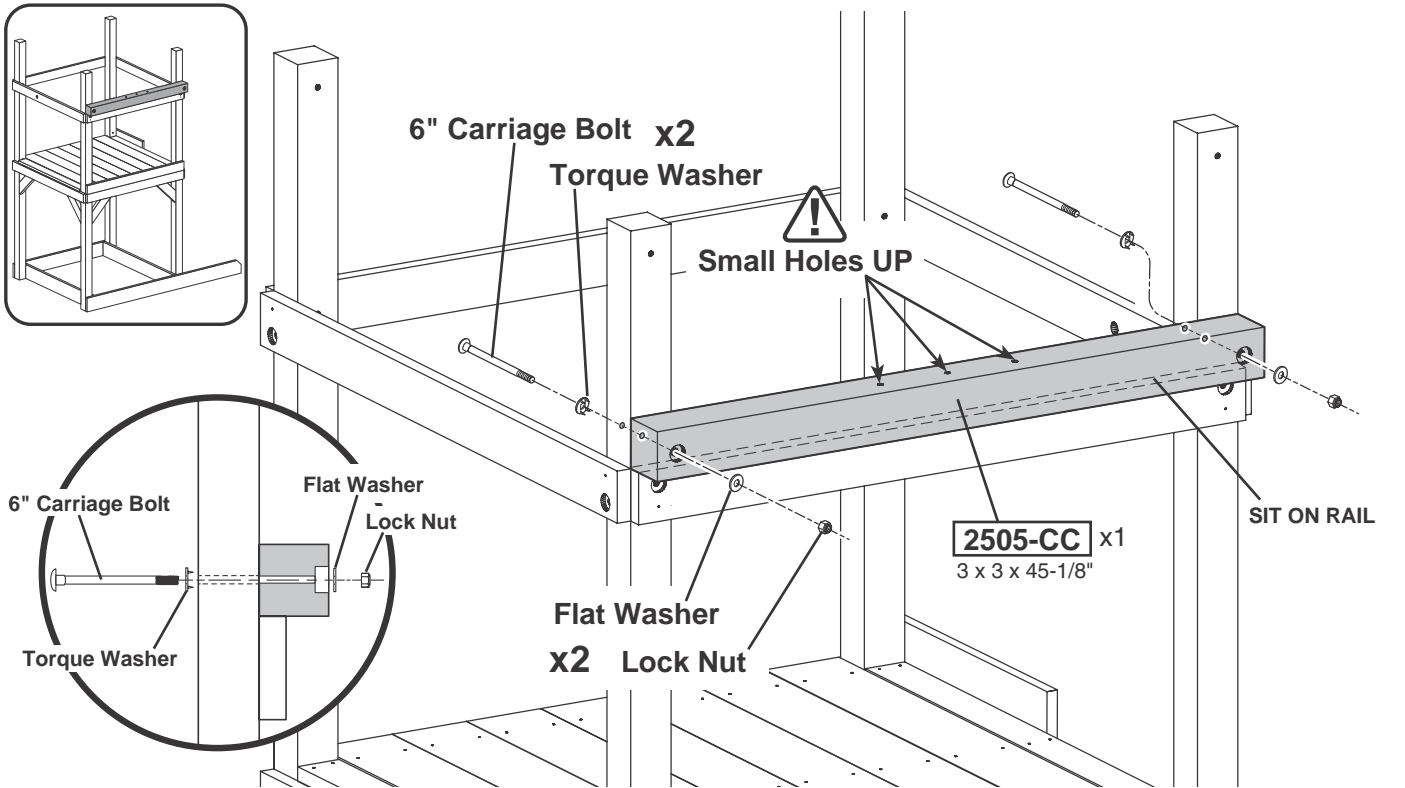
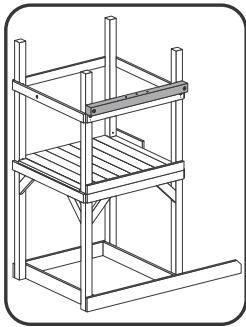


Mark and drill 1/4" x 2" DEEP pre-drill before installing lag bolts.



FORT

SWING BEAM SUPPORT

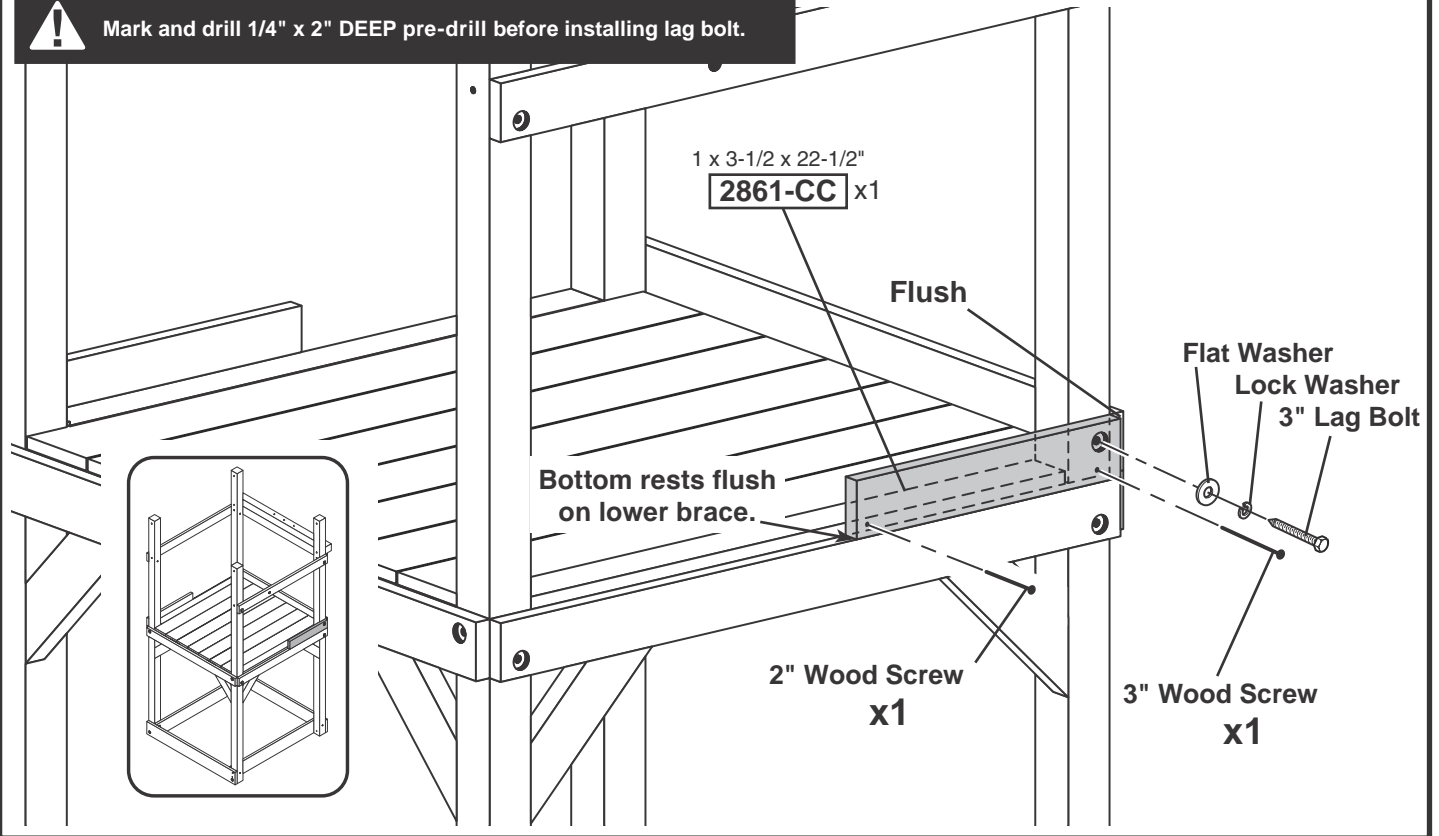


FORT

BALUSTER SUPPORT



Mark and drill 1/4" x 2" DEEP pre-drill before installing lag bolt.

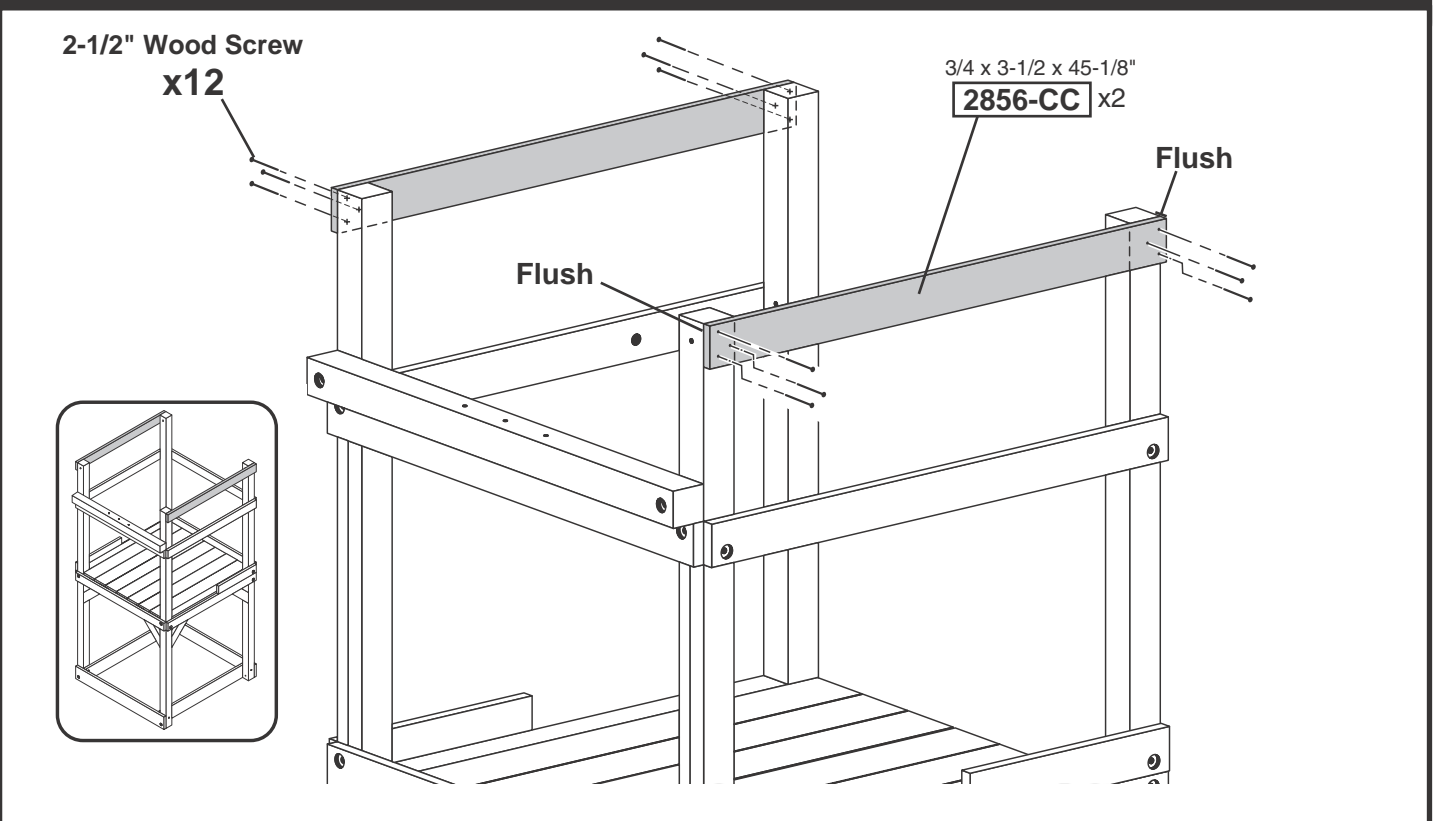


FORT

BALUSTER SUPPORT

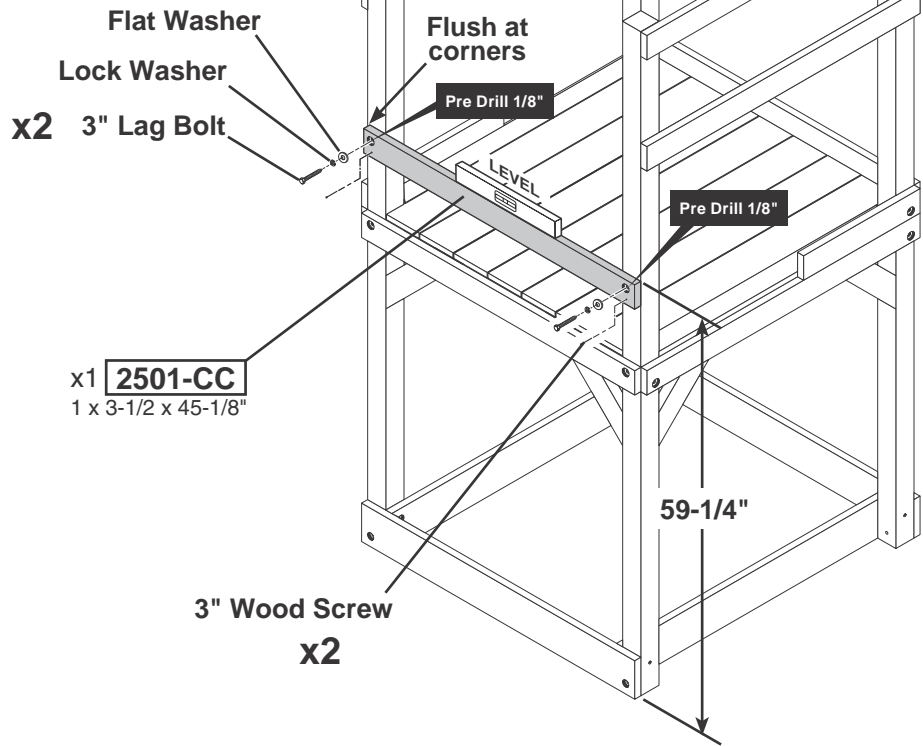
2-1/2" Wood Screw
x12

3/4 x 3-1/2 x 45-1/8"
2856-CC x2



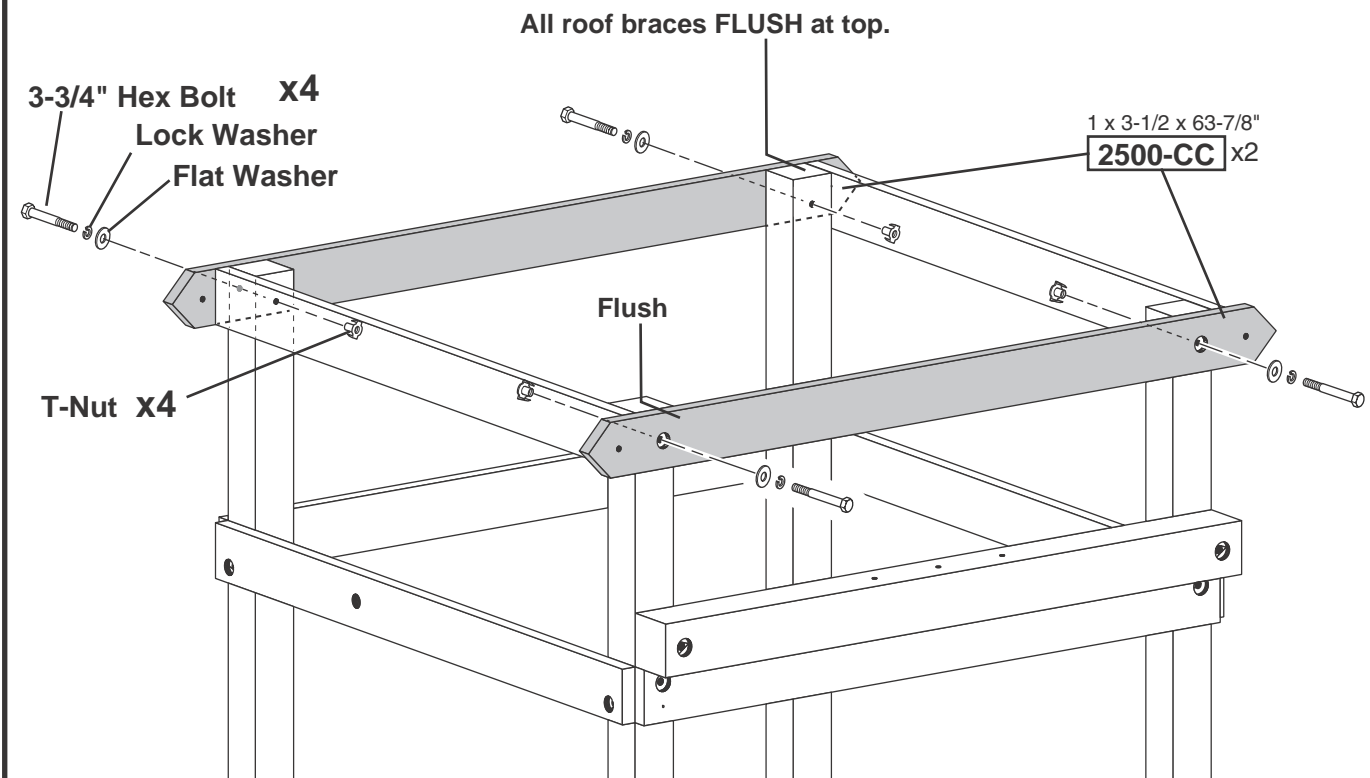
FORT

AUX. FLOOR SUPPORT



FORT

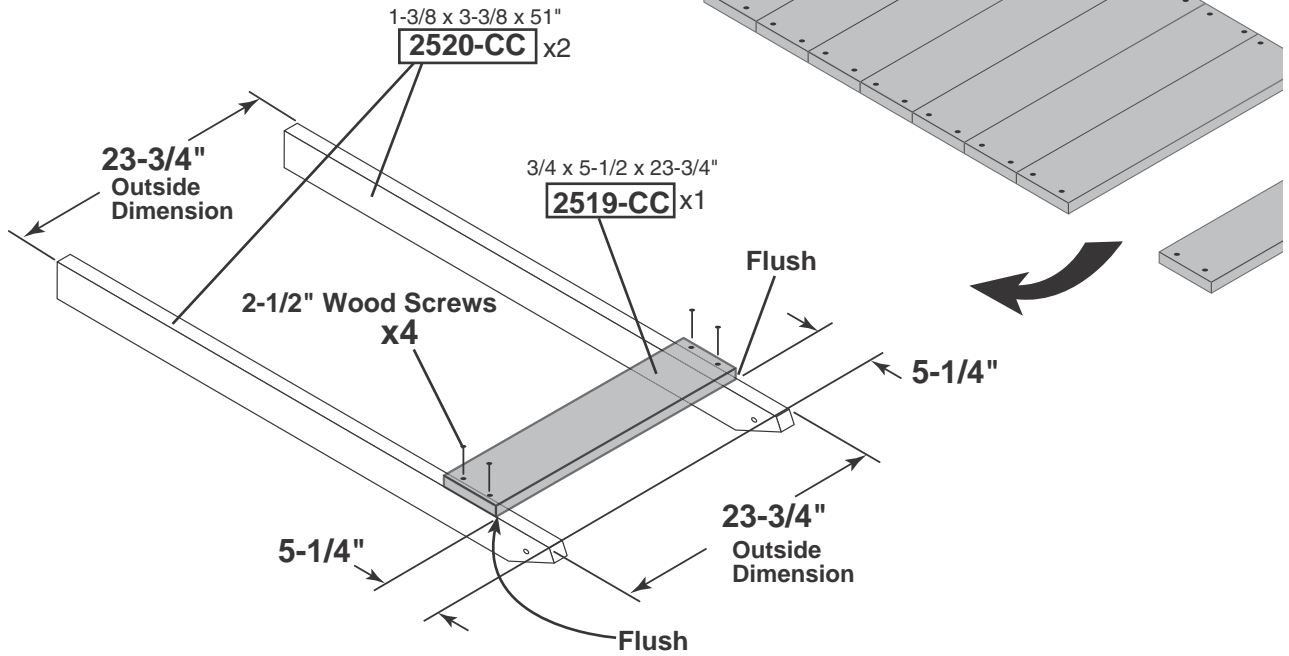
ROOF BRACE



ROCK WALL

ASSEMBLE

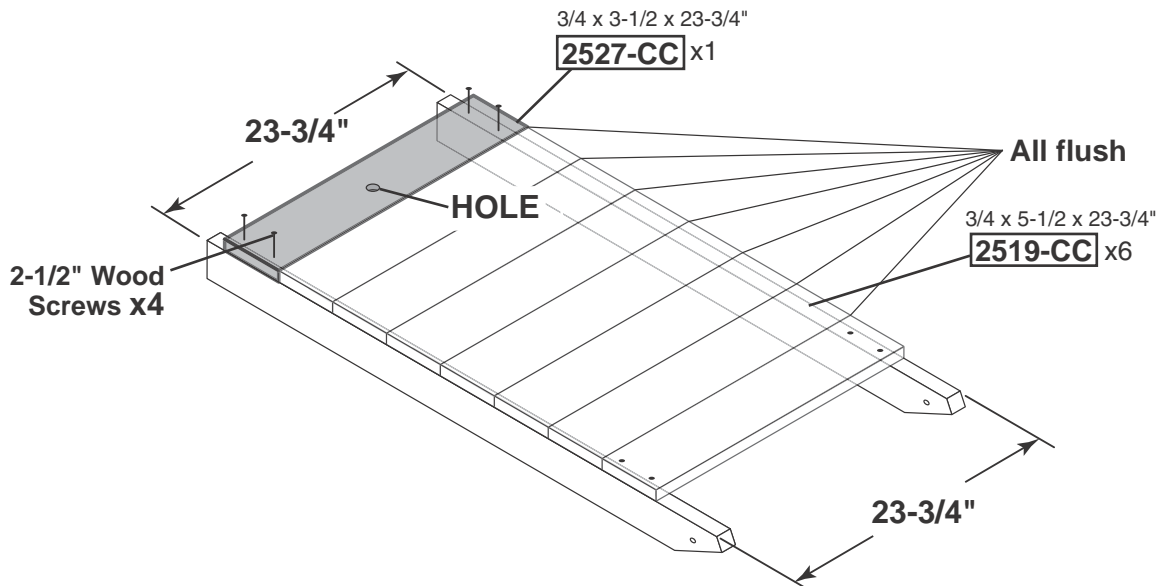
Align 2520-CC parallel with each other and maintain dimensions as shown.
Position plank 2519-CC as shown and attach to rails with screws.



ROCK WALL

ASSEMBLE

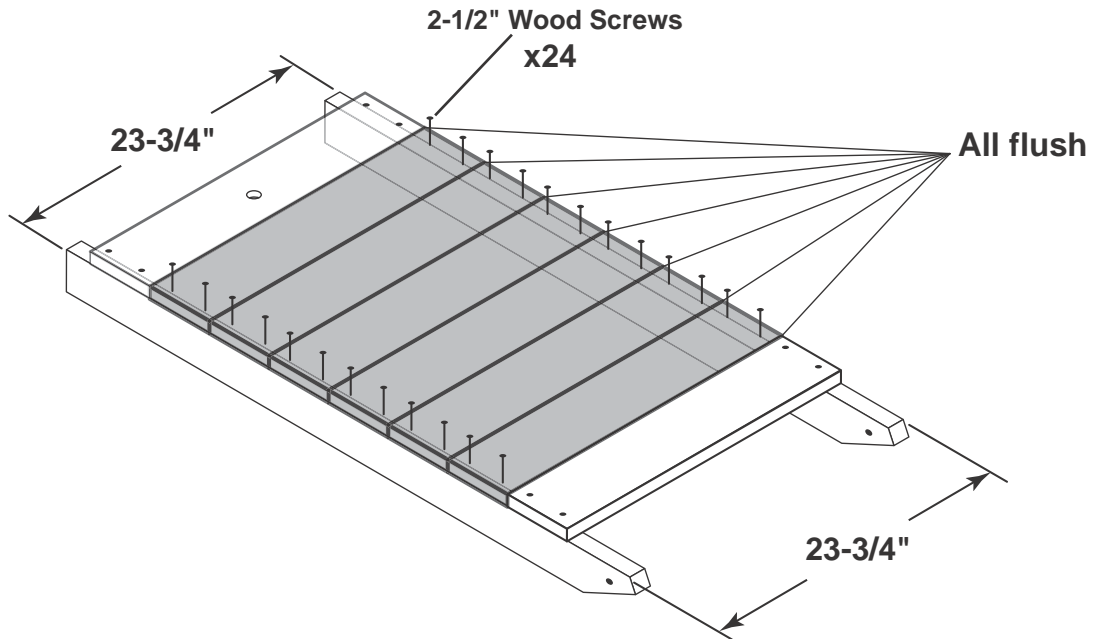
With all planks flush and snug, secure plank with hole using screws. Maintain dimension shown.



ROCK WALL

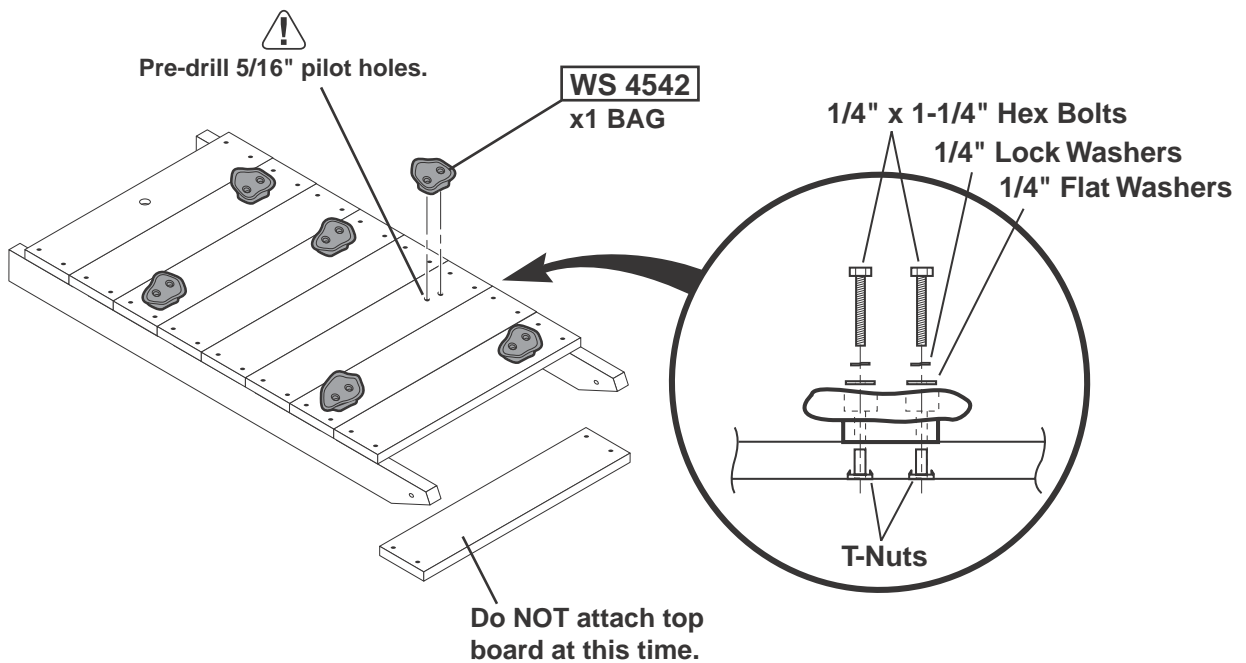
ASSEMBLE

Ensure all plank ends are flush, making sure screws install into rails.



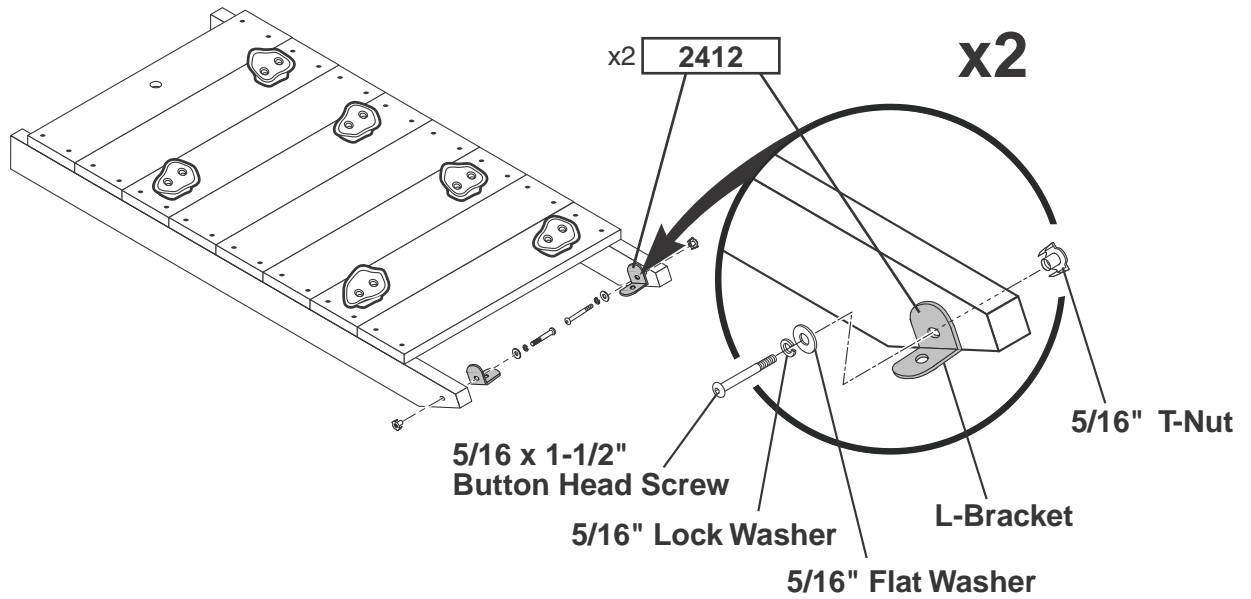
ROCK WALL

ASSEMBLE



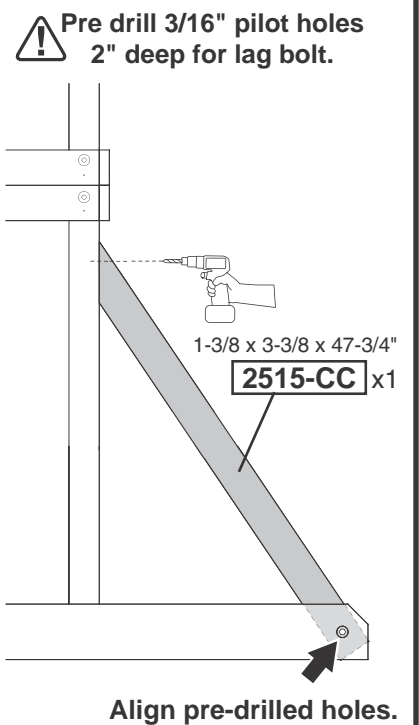
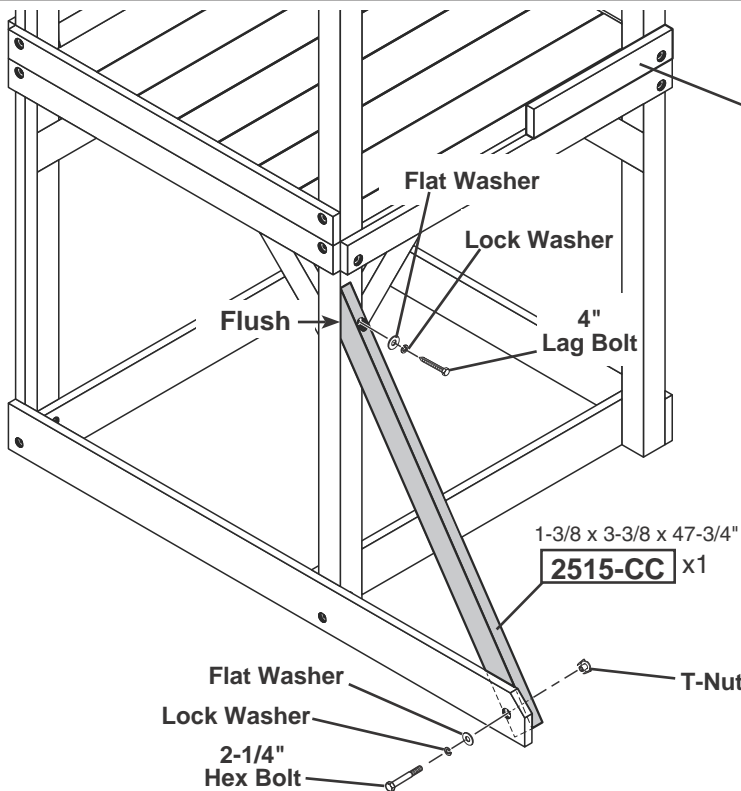
ROCK WALL

ASSEMBLE



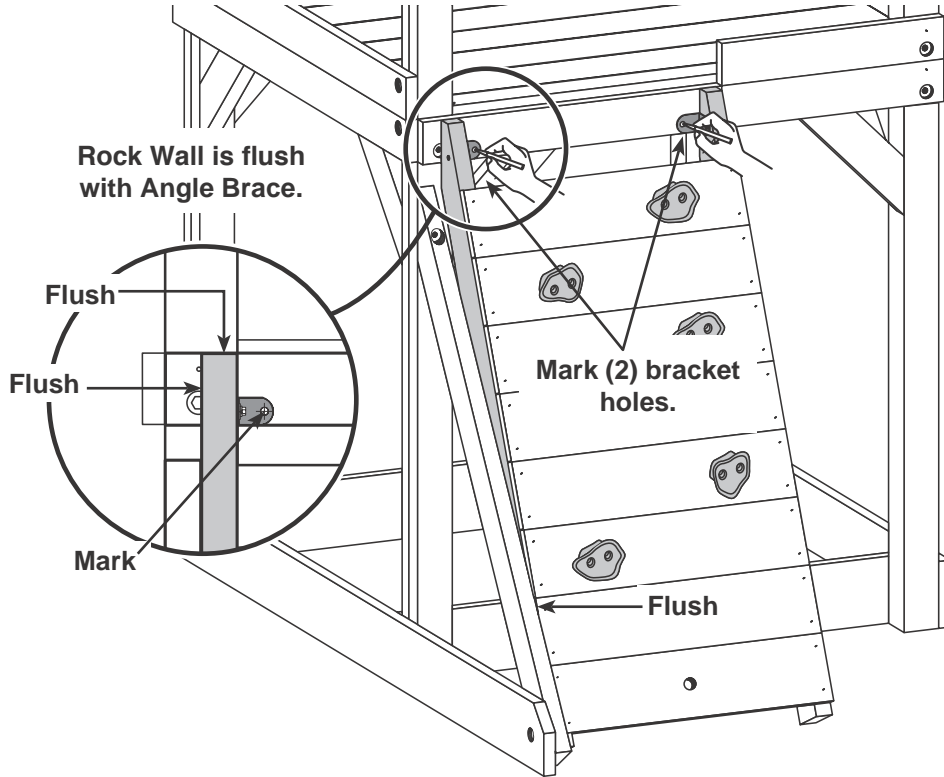
ANGLE BRACE

INSTALL



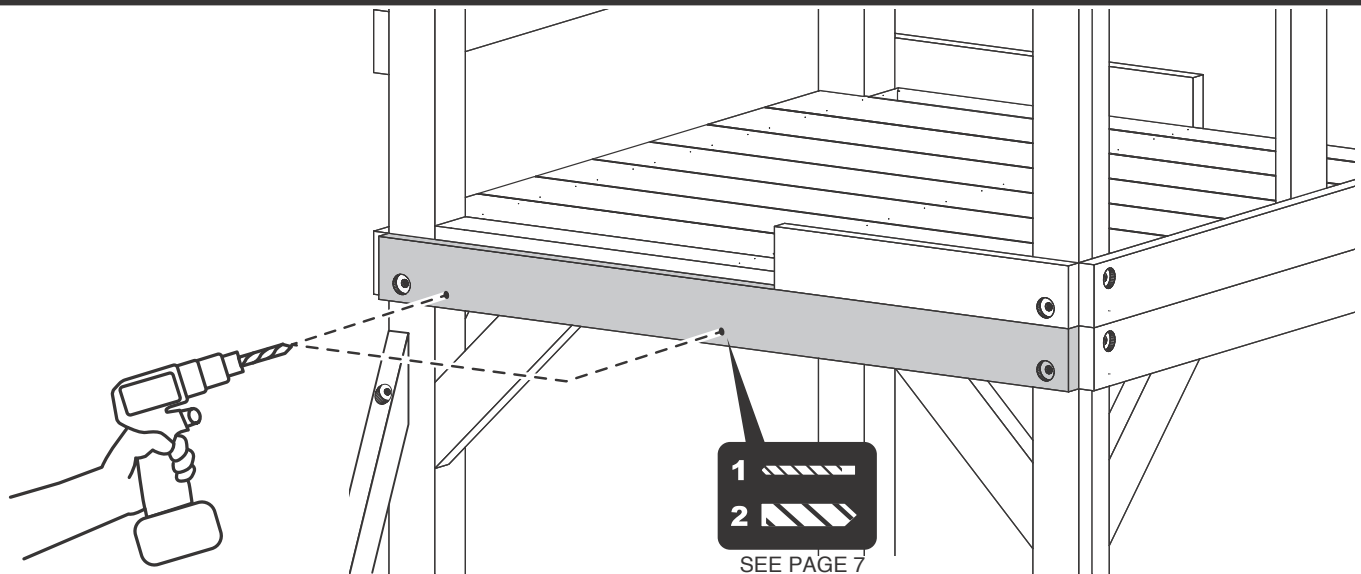
ROCK WALL

INSTALL



ROCK WALL

INSTALL

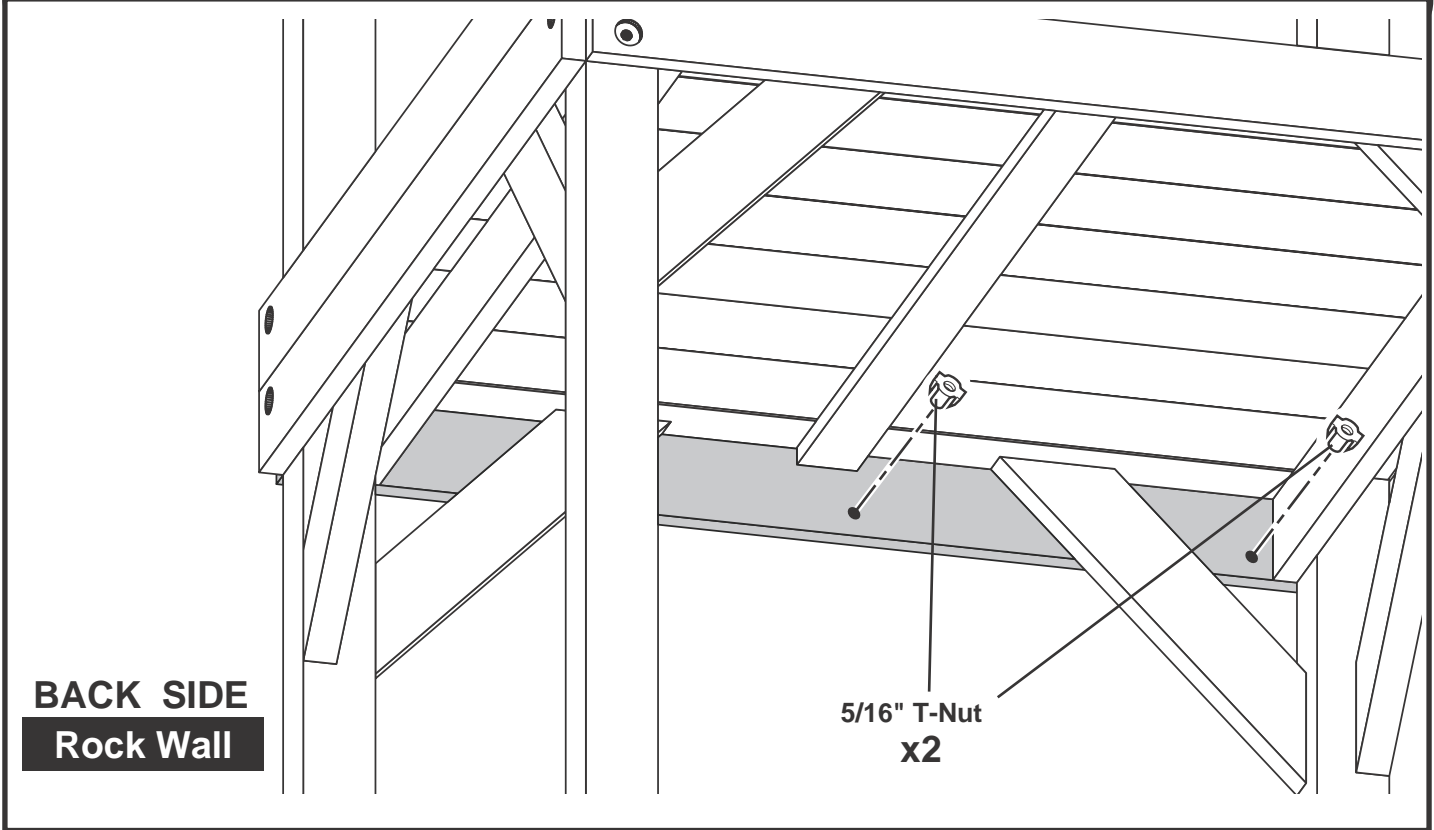


Pre-drill two 1/4" pilot holes at marked locations.
Re-drill holes from opposite side using 3/8" bit.

FRONT SIDE
Rock Wall

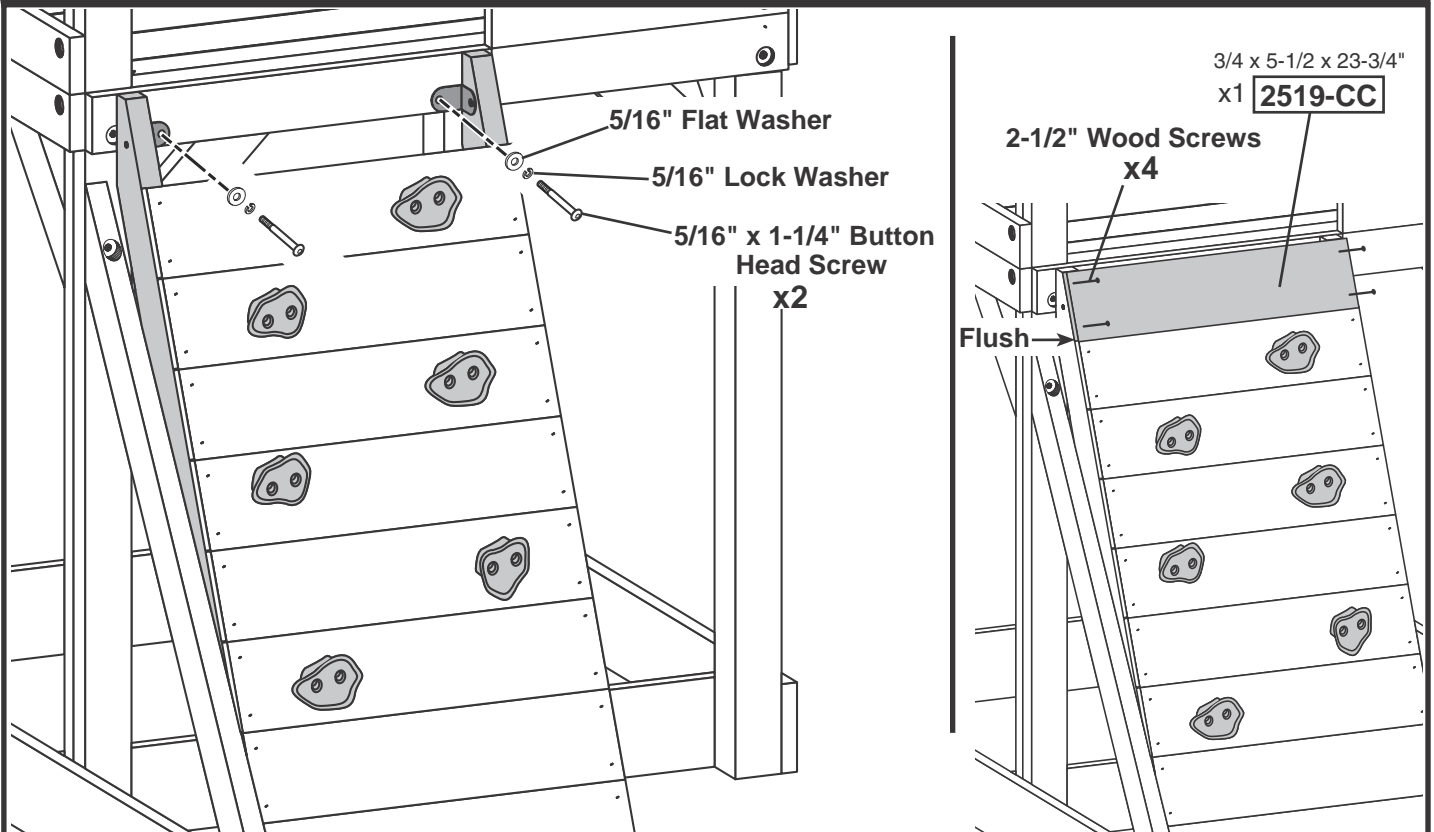
ROCK WALL

INSTALL



ROCK WALL

INSTALL

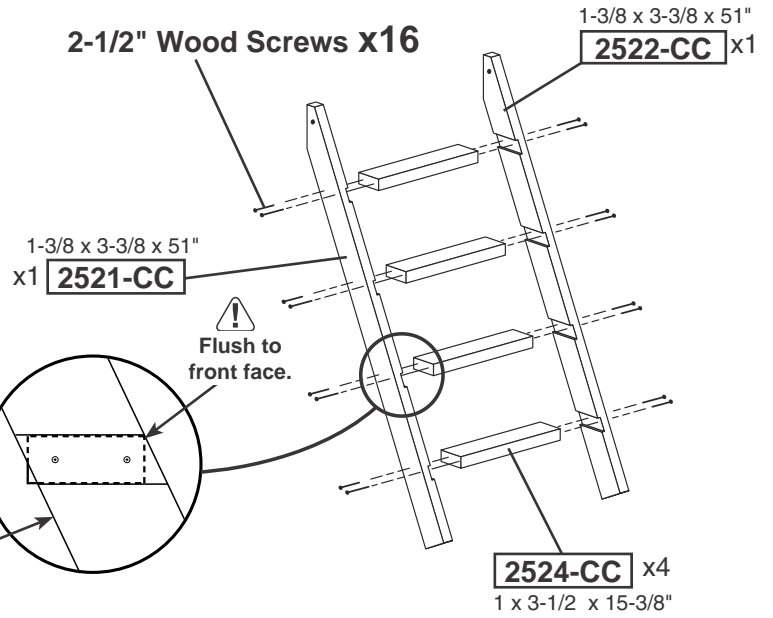
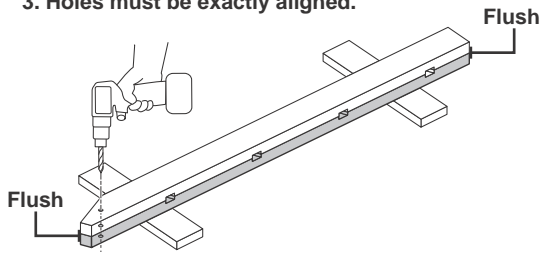


STEP LADDER

ASSEMBLE

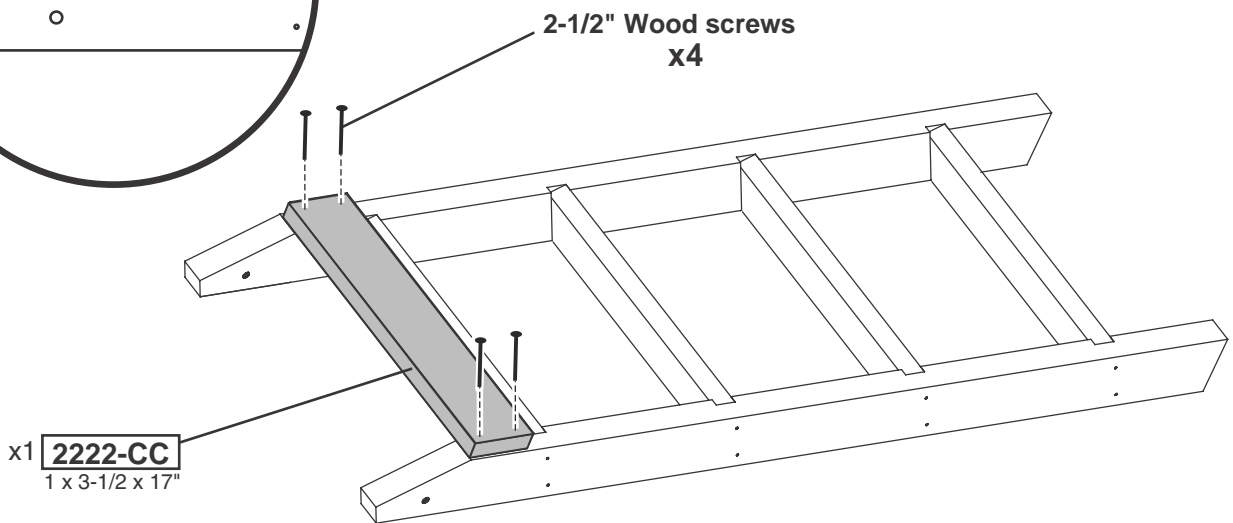
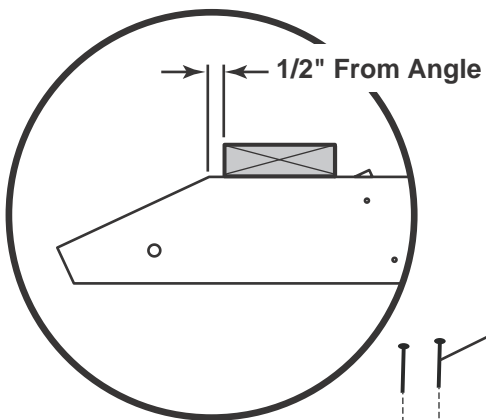
Before Assembling Step Ladder:

1. Stack and align parts as shown with 2522-CC on top.
2. Hold parts and drill 3/8" hole through 2521-CC using 2522-CC as a guide.
3. Holes must be exactly aligned.



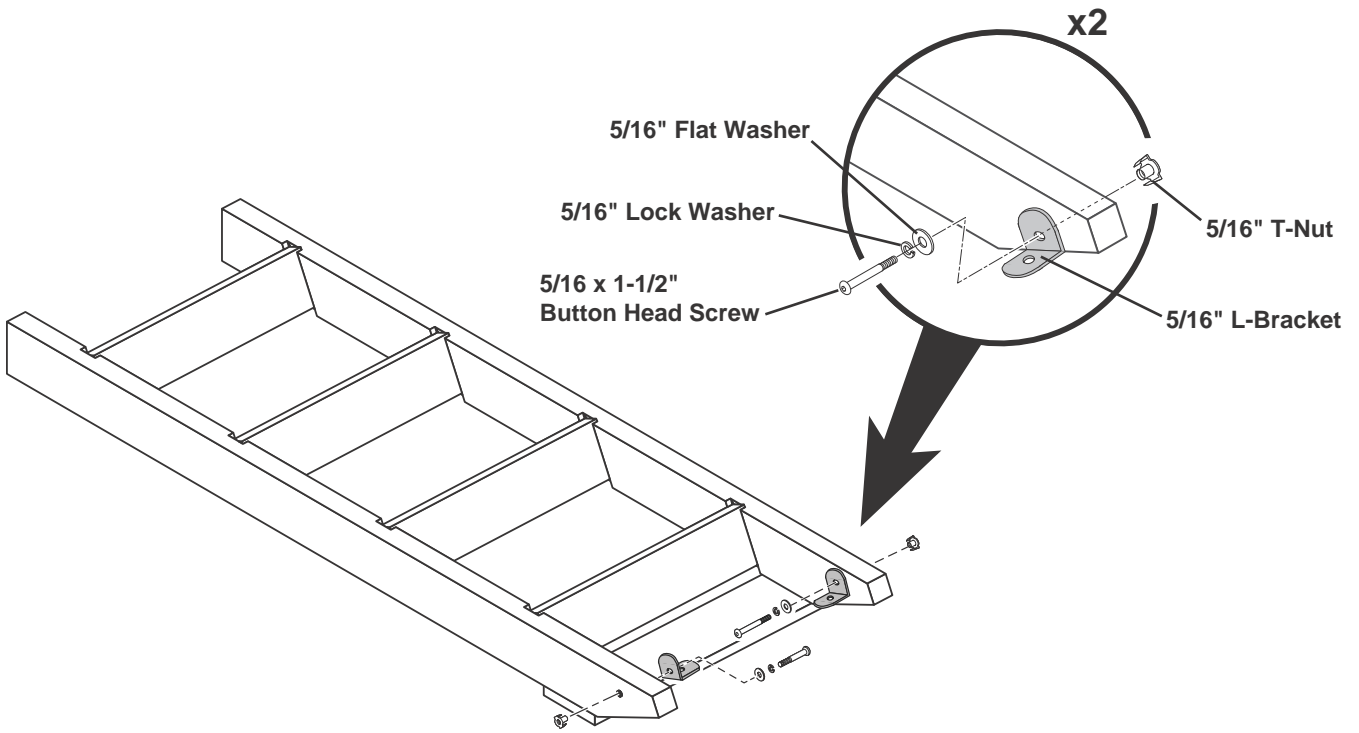
STEP LADDER

ASSEMBLE



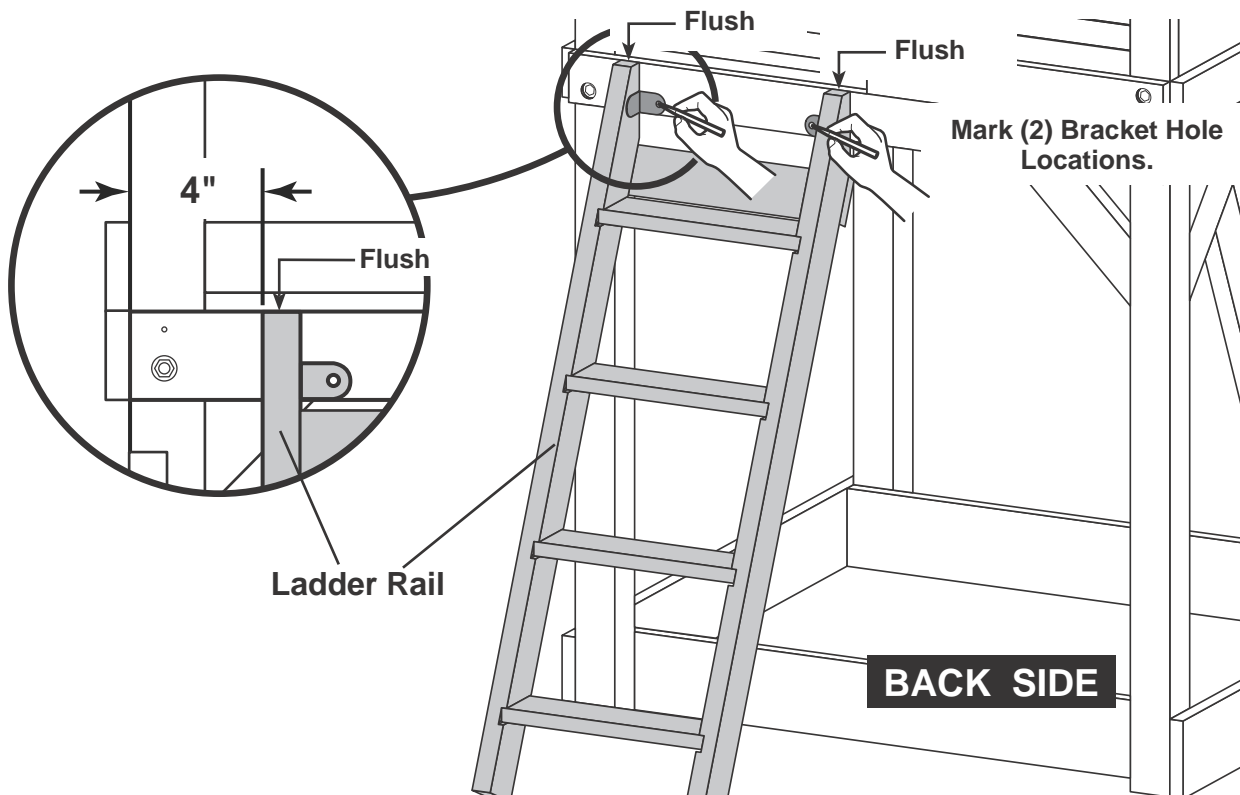
STEP LADDER

ASSEMBLE



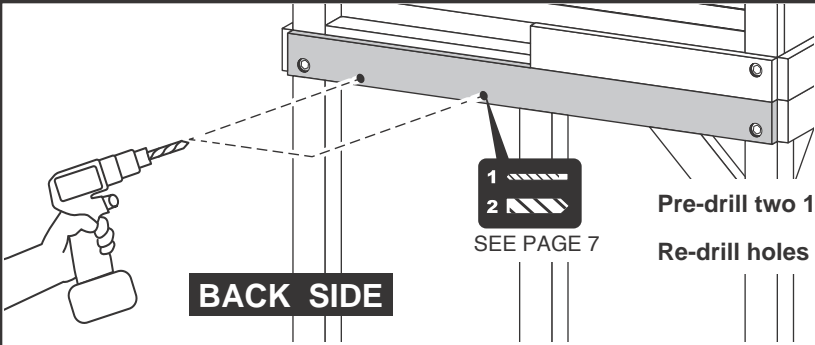
STEP LADDER

INSTALL



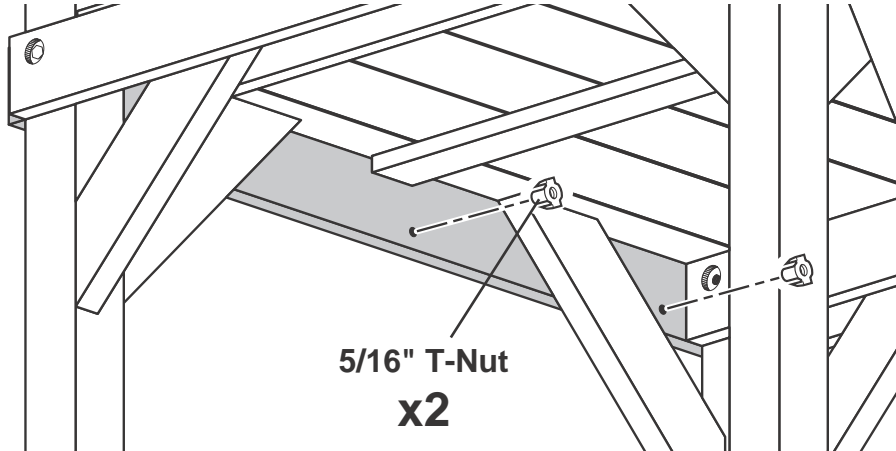
STEP LADDER

INSTALL



BACK SIDE

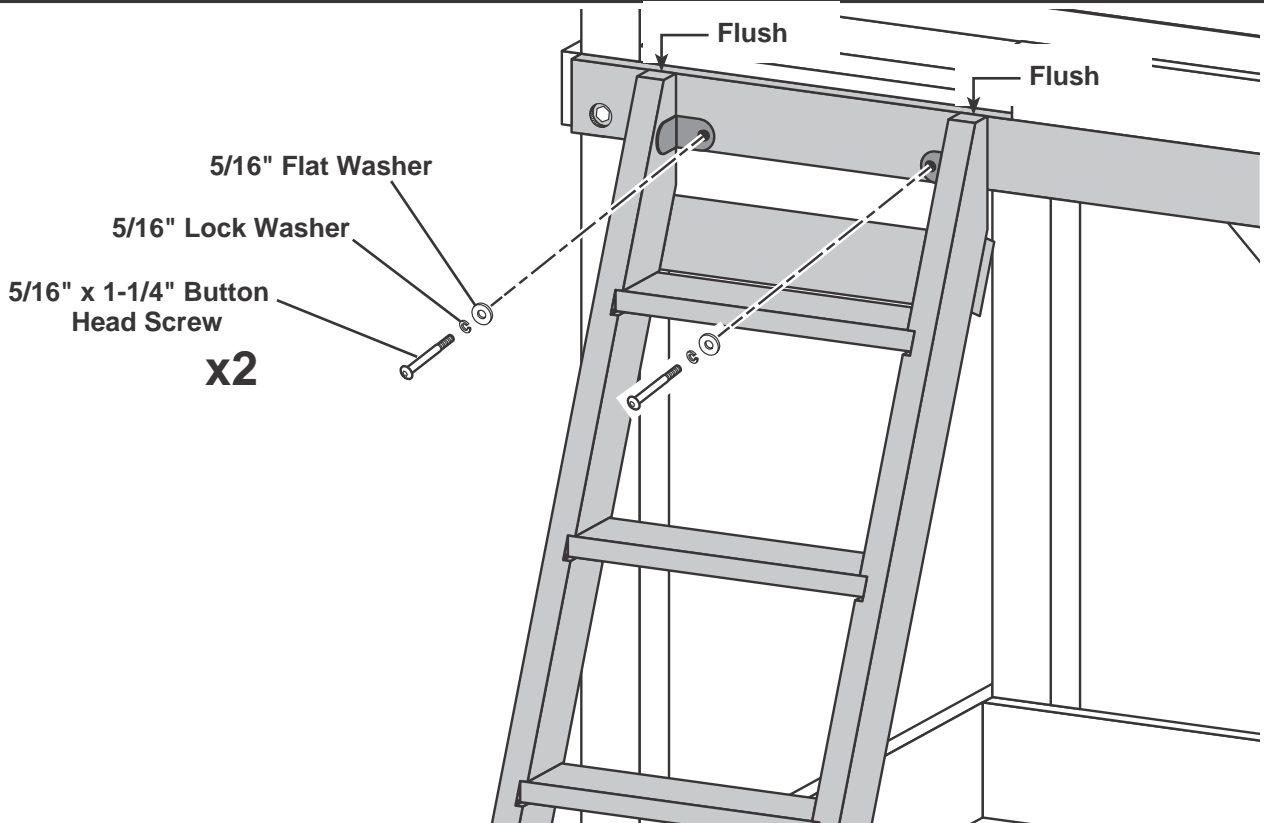
Pre-drill two 1/4" pilot holes at marked locations.
Re-drill holes from opposite side using 3/8" bit.



5/16" T-Nut
x2

STEP LADDER

INSTALL



5/16" Flat Washer

5/16" Lock Washer

5/16" x 1-1/4" Button
Head Screw

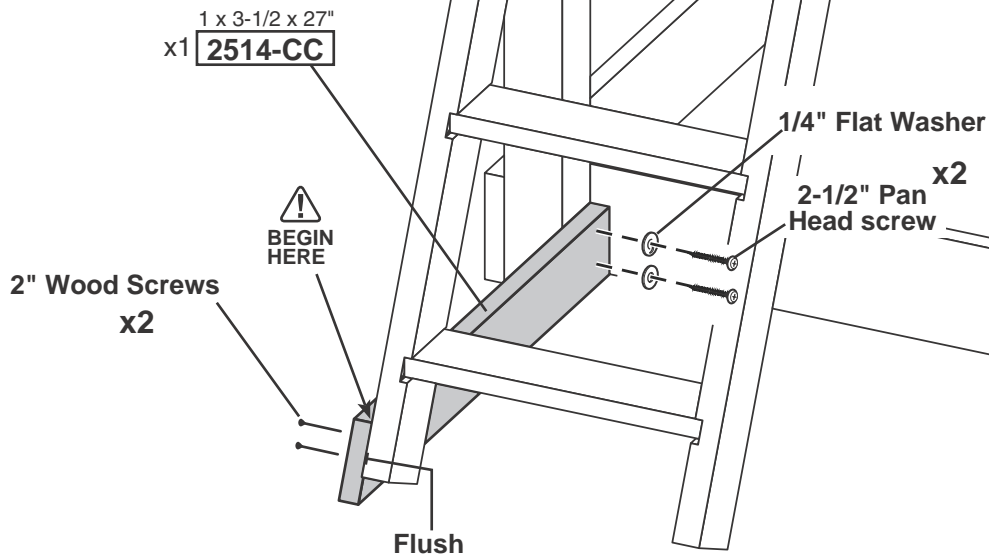
x2

Flush

Flush

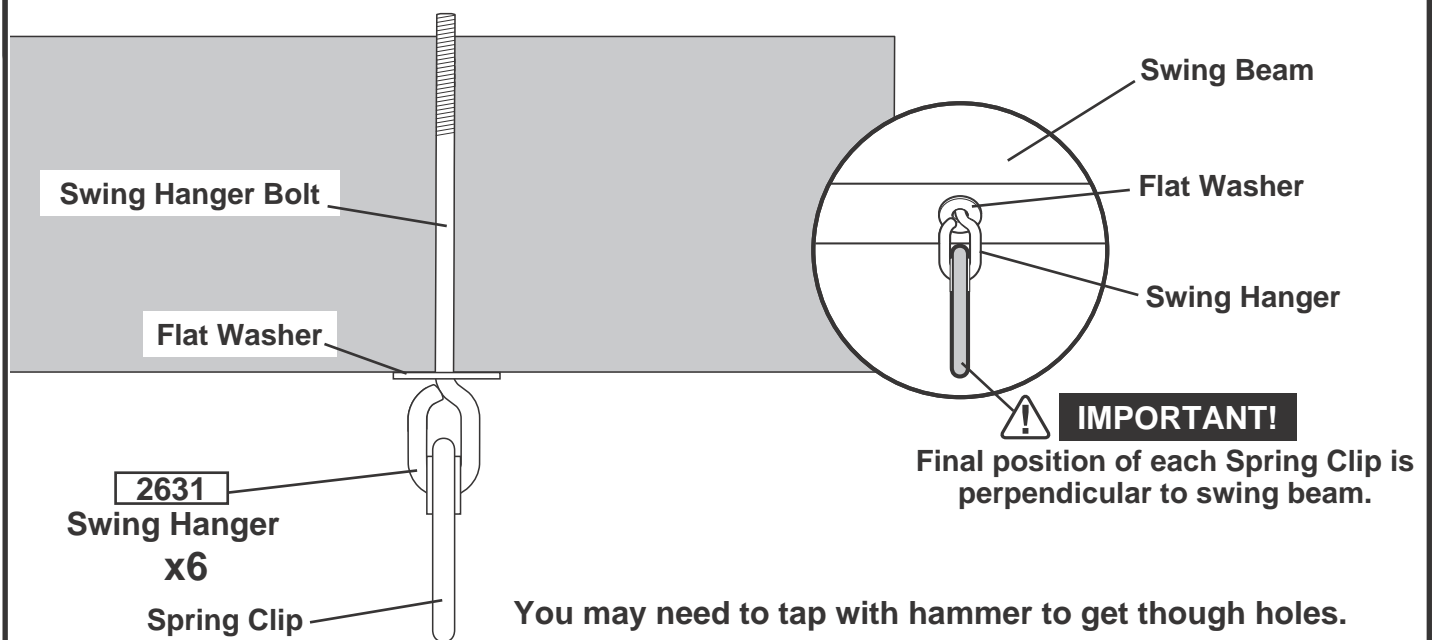
STEP LADDER

INSTALL



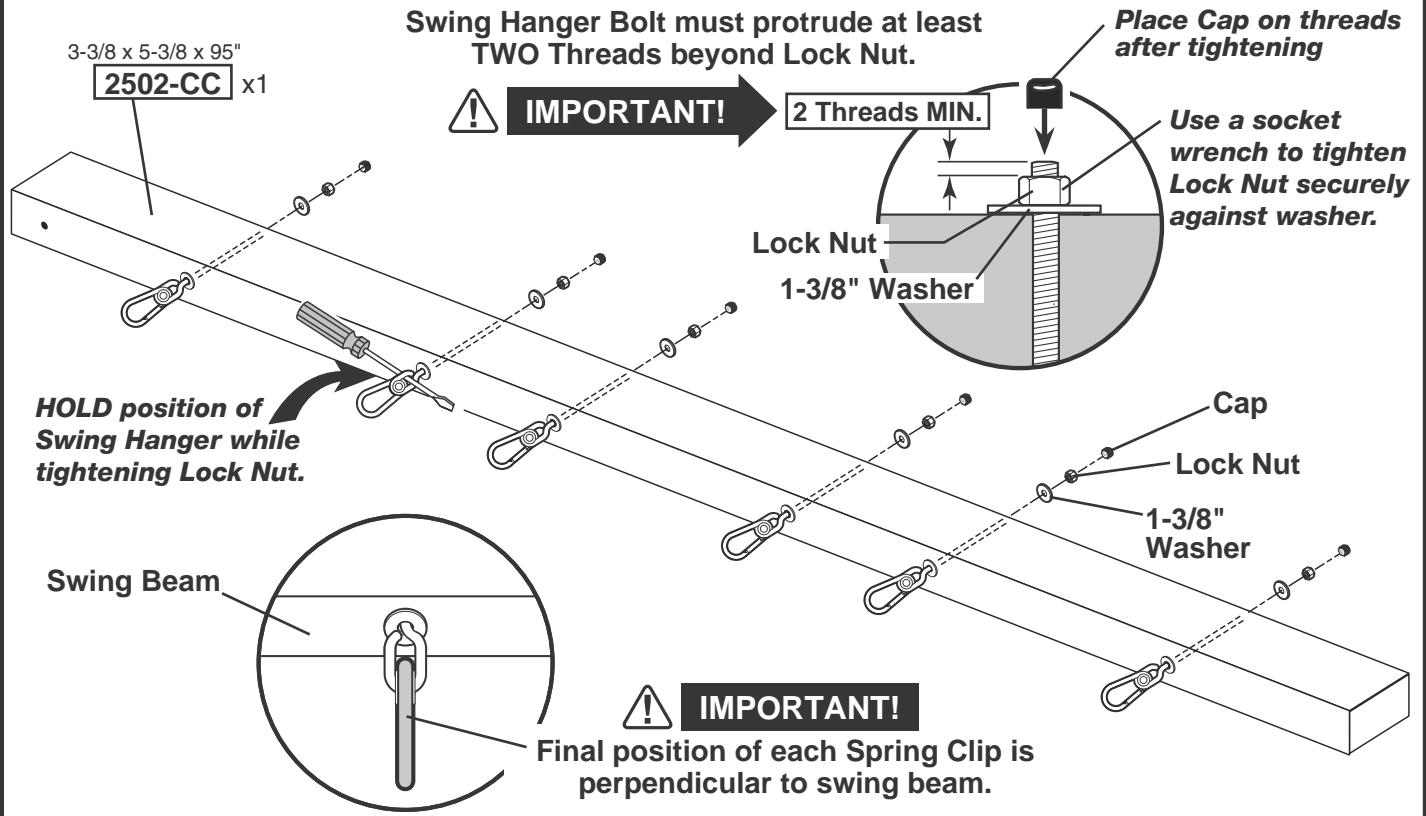
SWING BEAM

SWING HANGERS - INSTALL



SWING BEAM

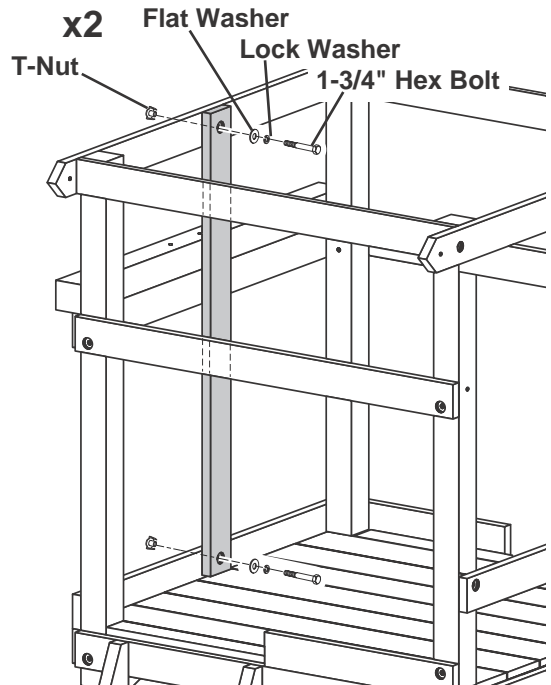
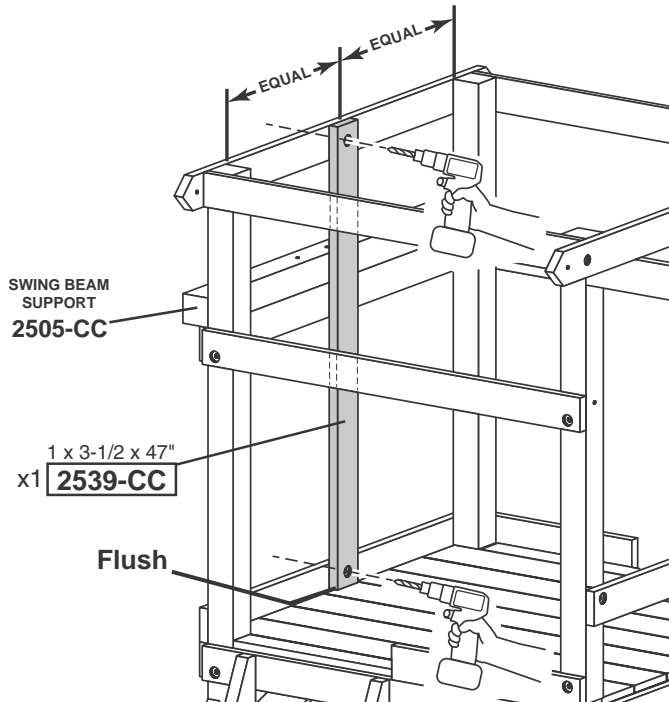
SWING HANGERS



UPRIGHT

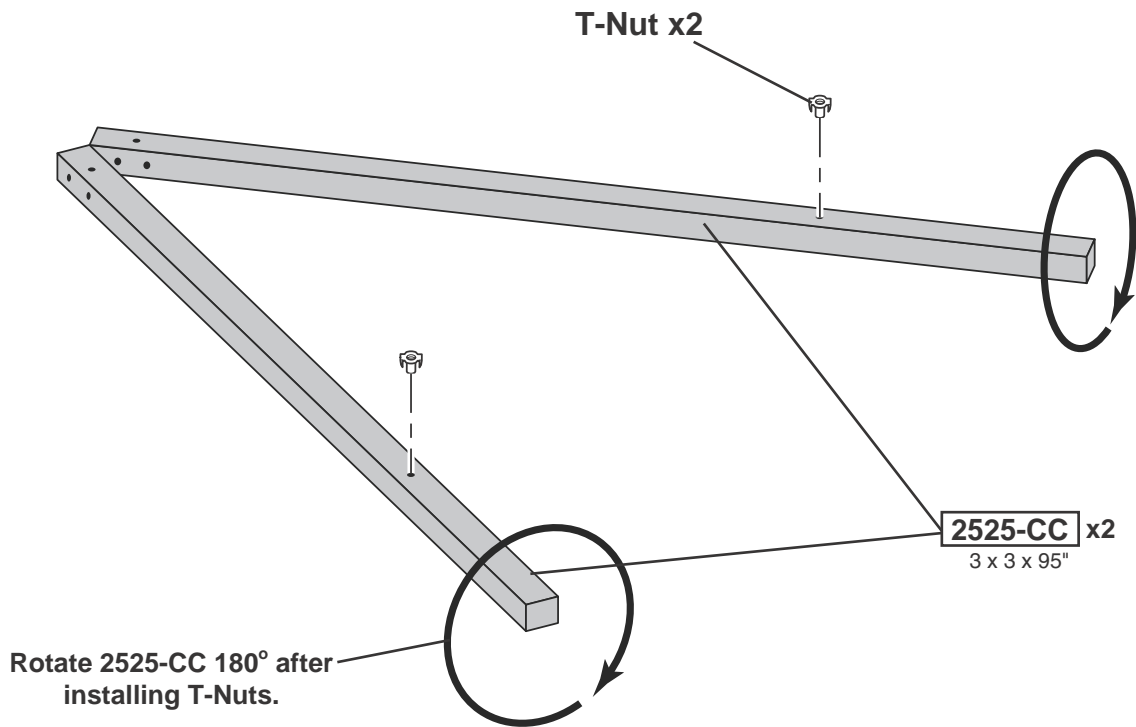
INSTALL

Center 2539-CC. Mark and Pre drill 7/16" through holes for hex bolt.



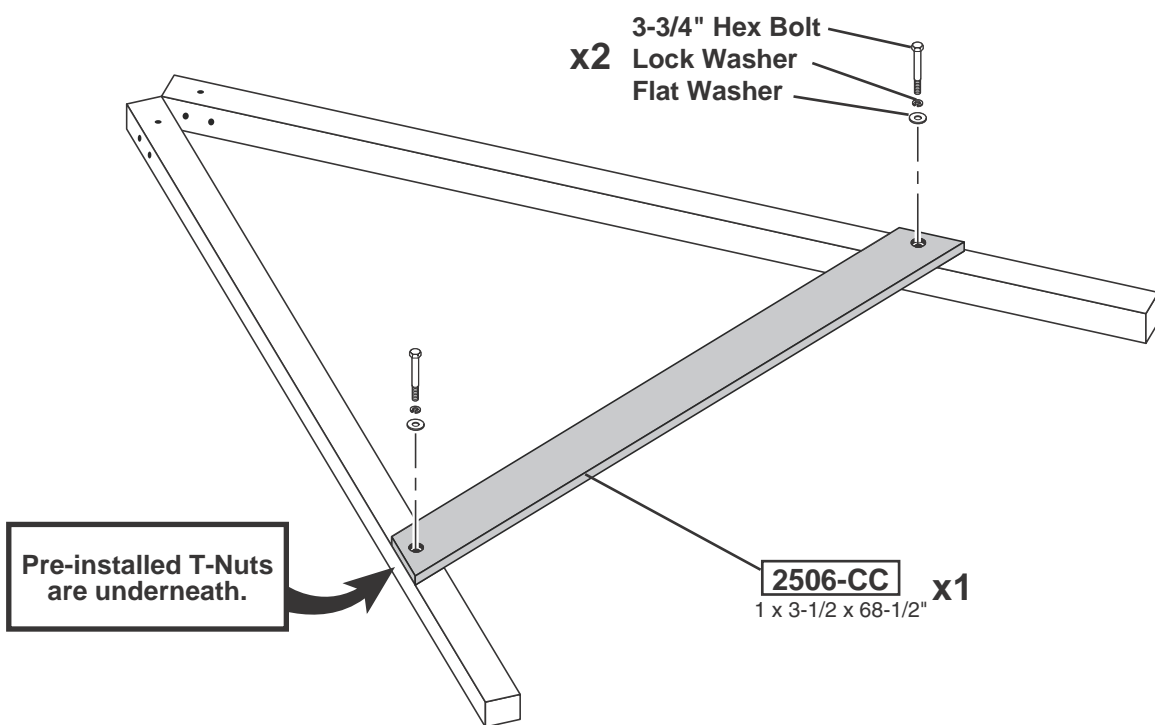
A - FRAME

ASSEMBLE



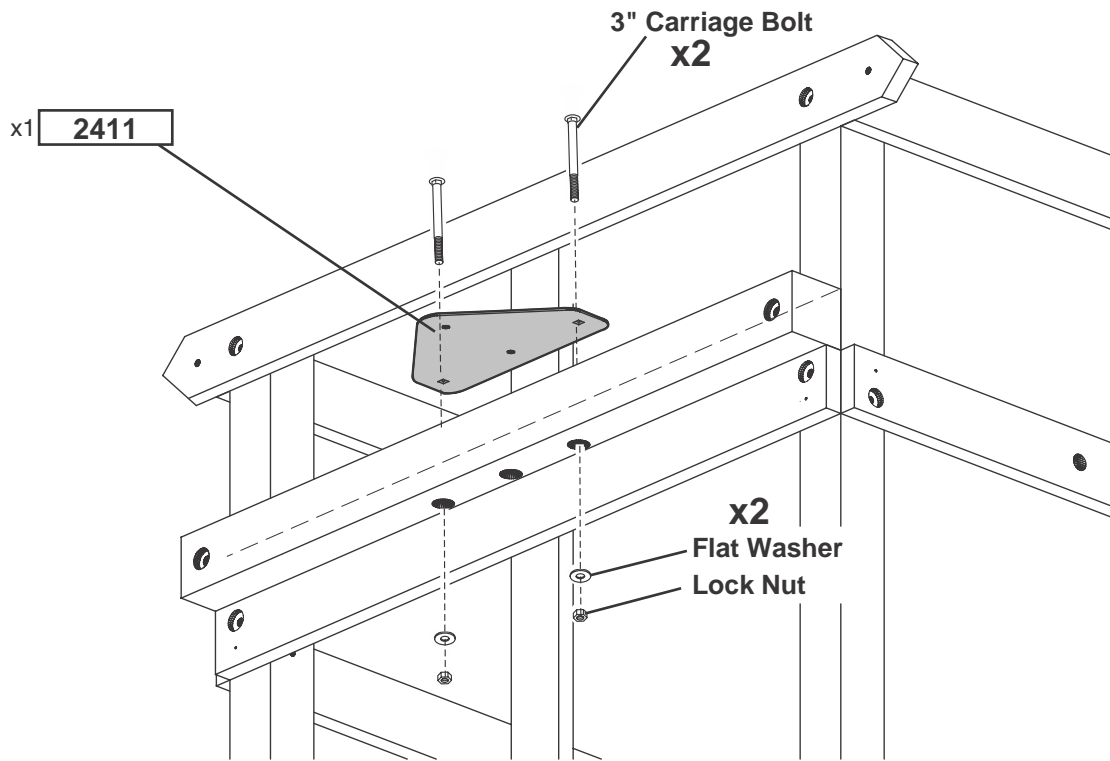
A - FRAME

ASSEMBLE



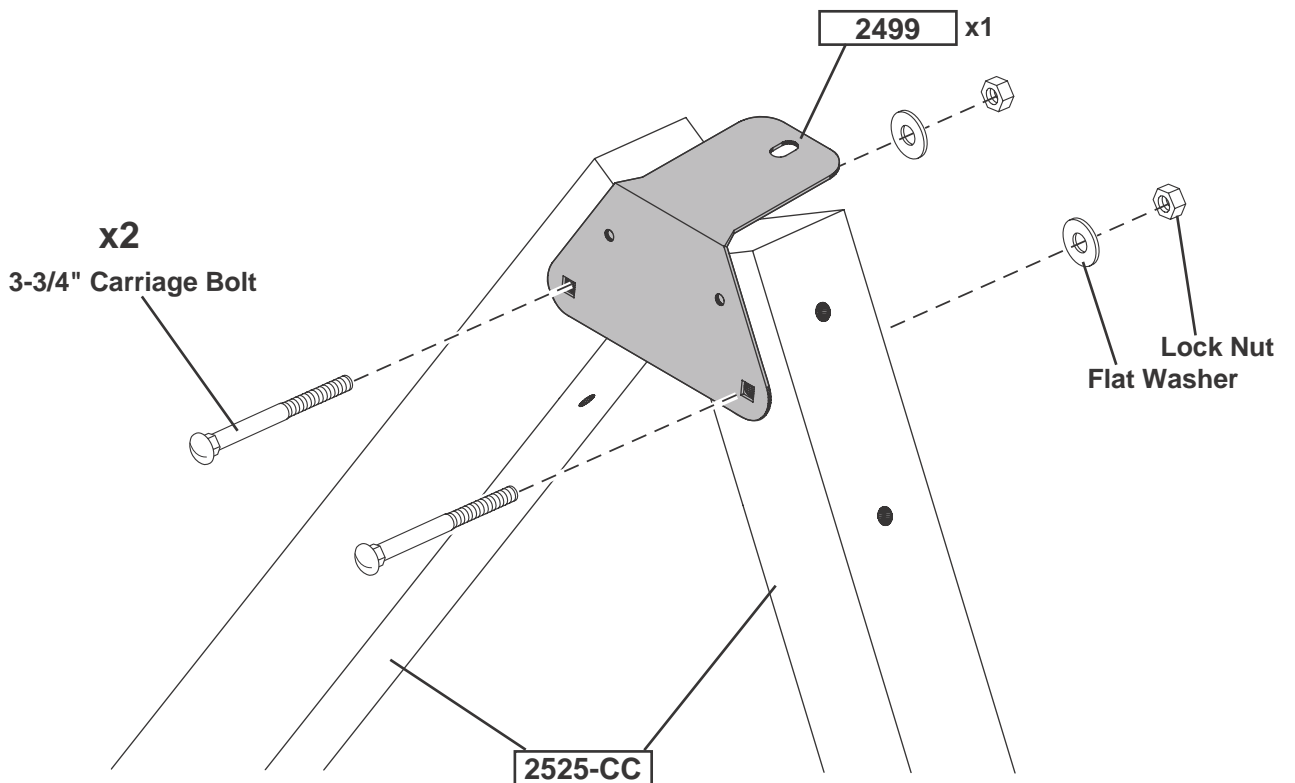
SWING BEAM

FLAT PLATE



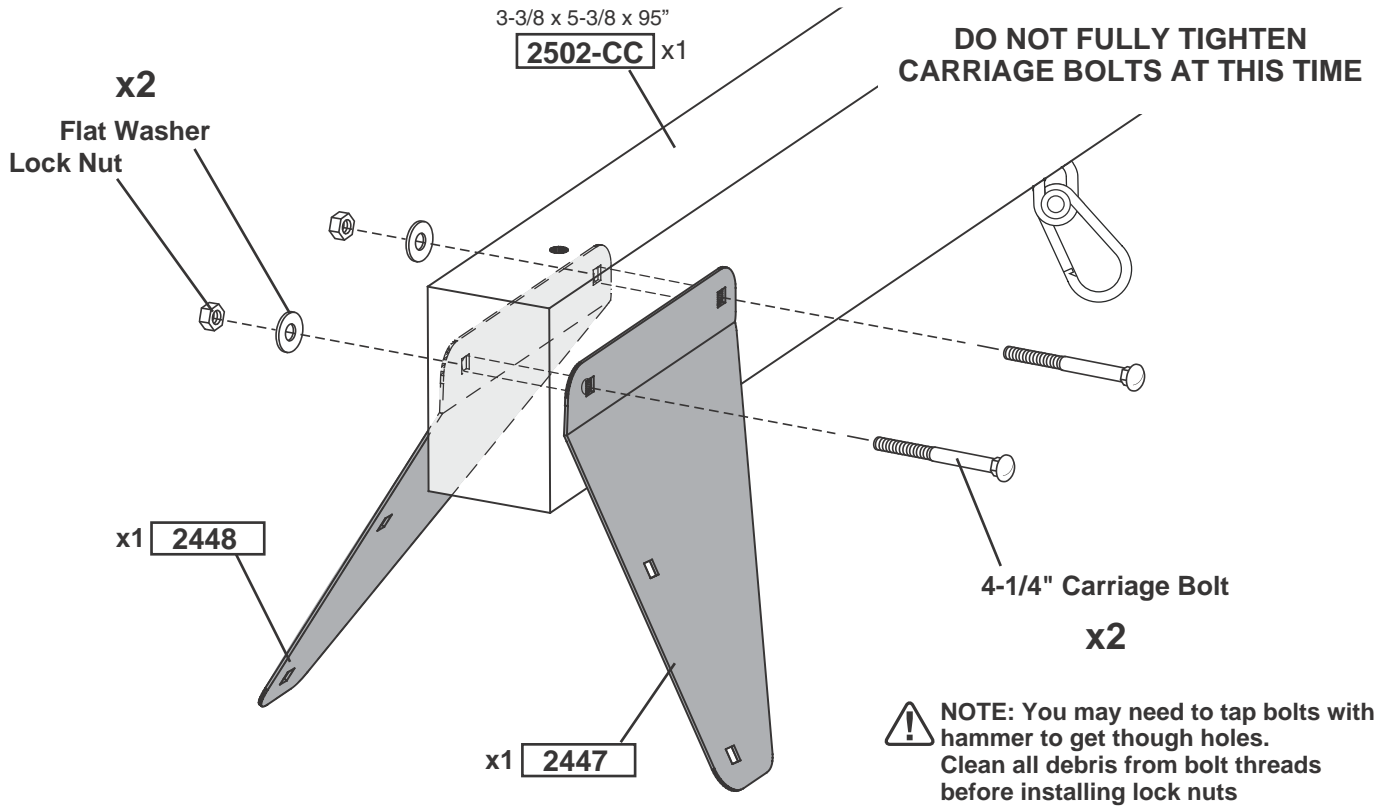
A - FRAME

90° PLATE



SWING BEAM

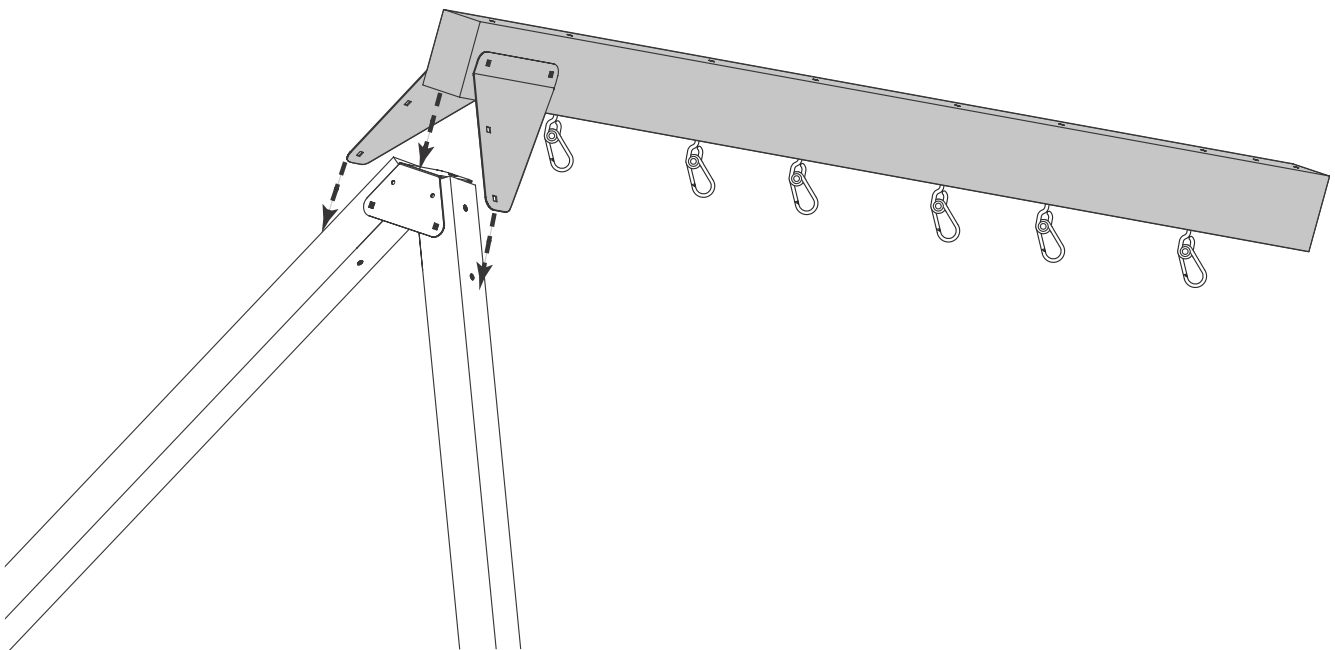
ANGLED PLATES



SWING BEAM

ASSEMBLE

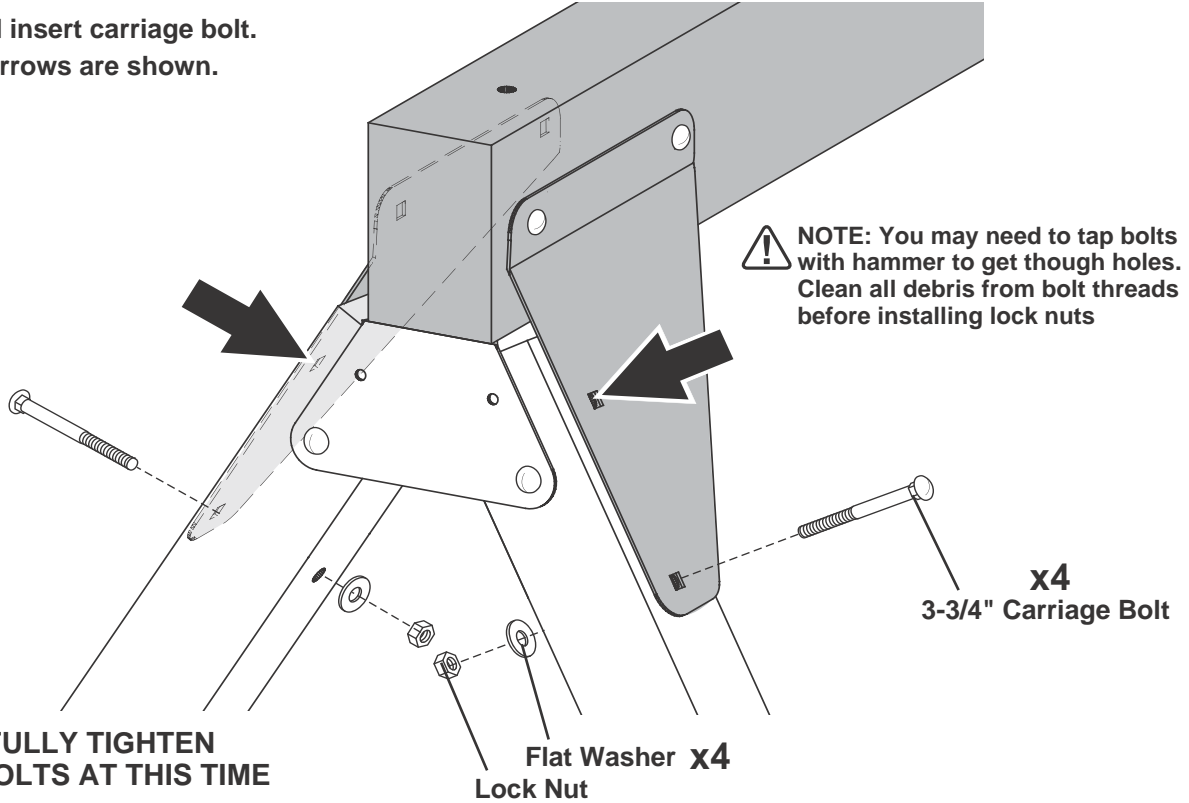
Position swing beam assembly resting upon A-frame.



SWING BEAM

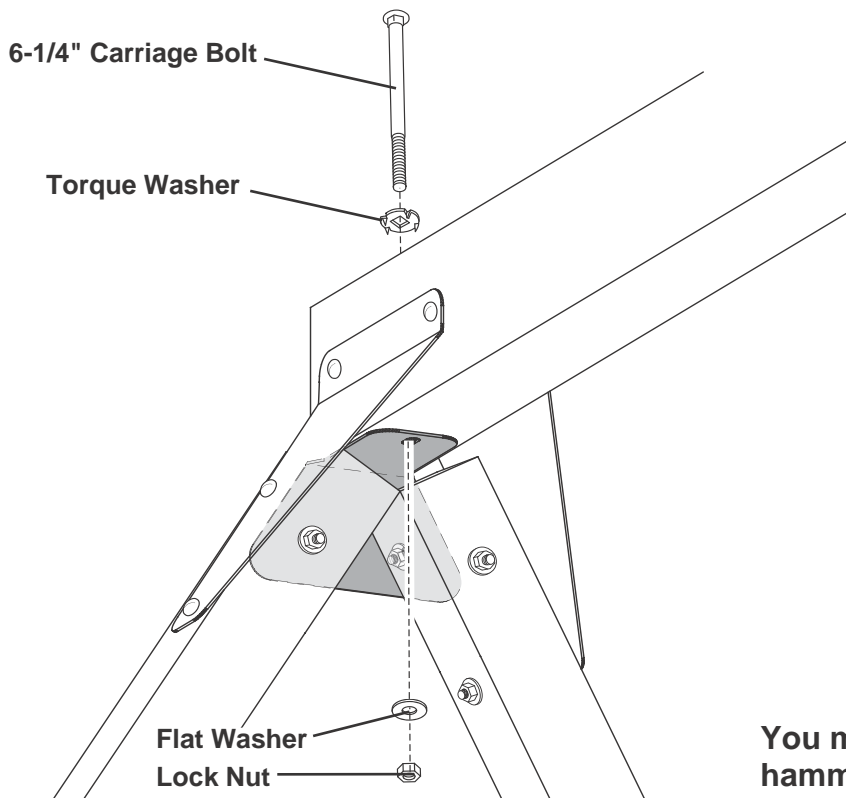
ASSEMBLE

Align holes and insert carriage bolt.
Repeat where arrows are shown.



SWING BEAM

ASSEMBLE

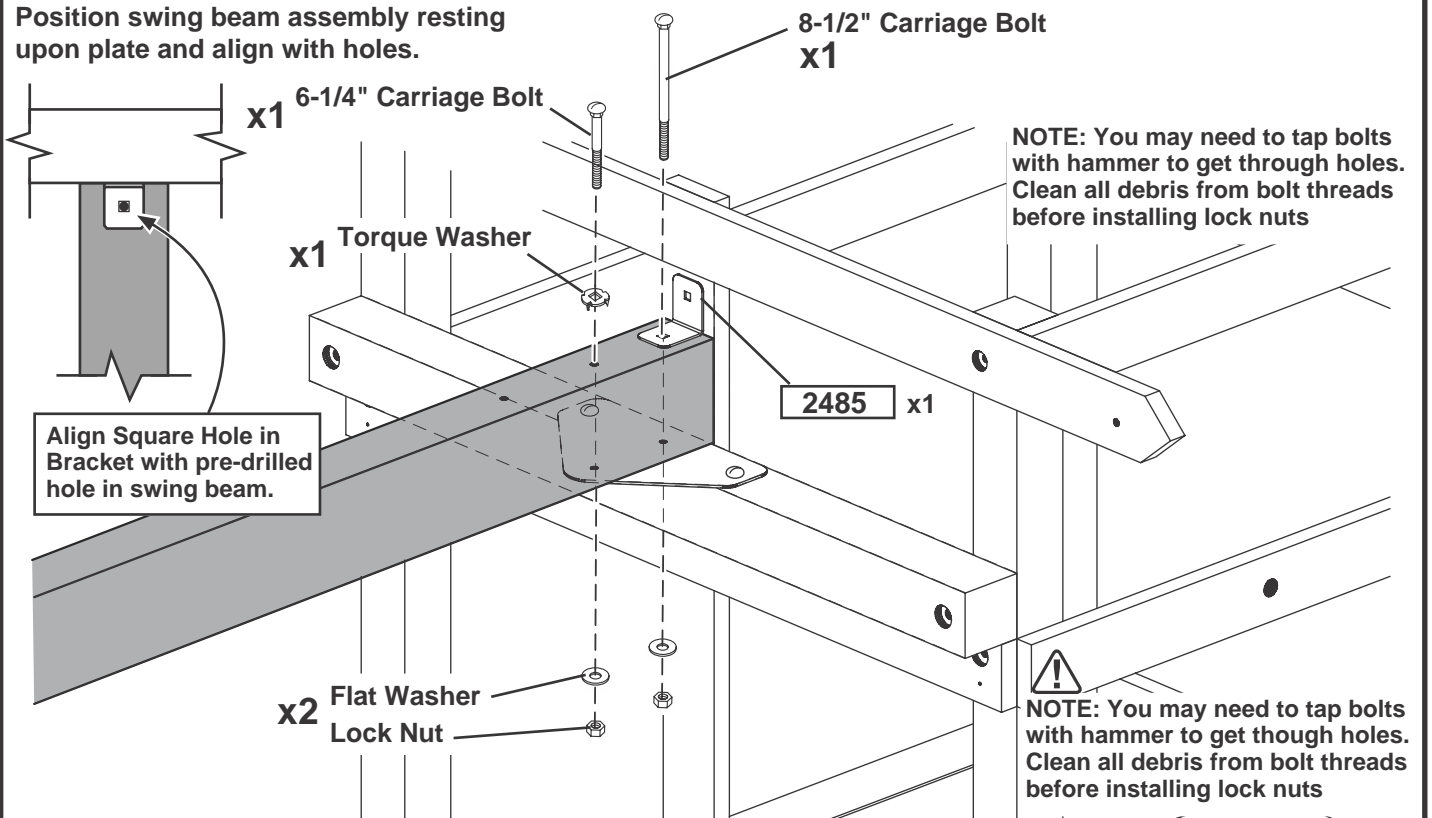


You may need to tap with hammer to get through holes.

SWING BEAM

INSTALL

Position swing beam assembly resting upon plate and align with holes.

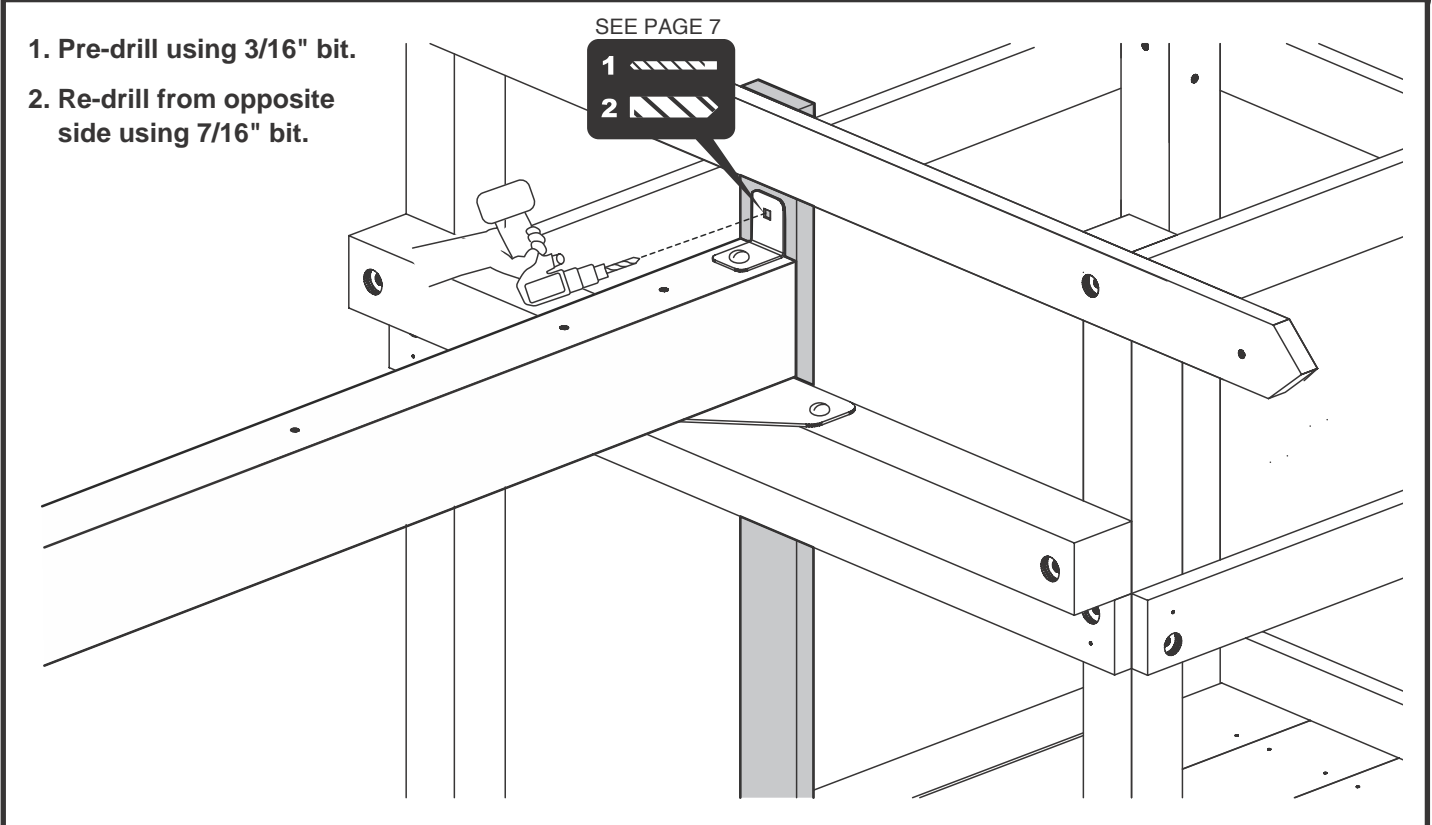


SWING BEAM

INSTALL

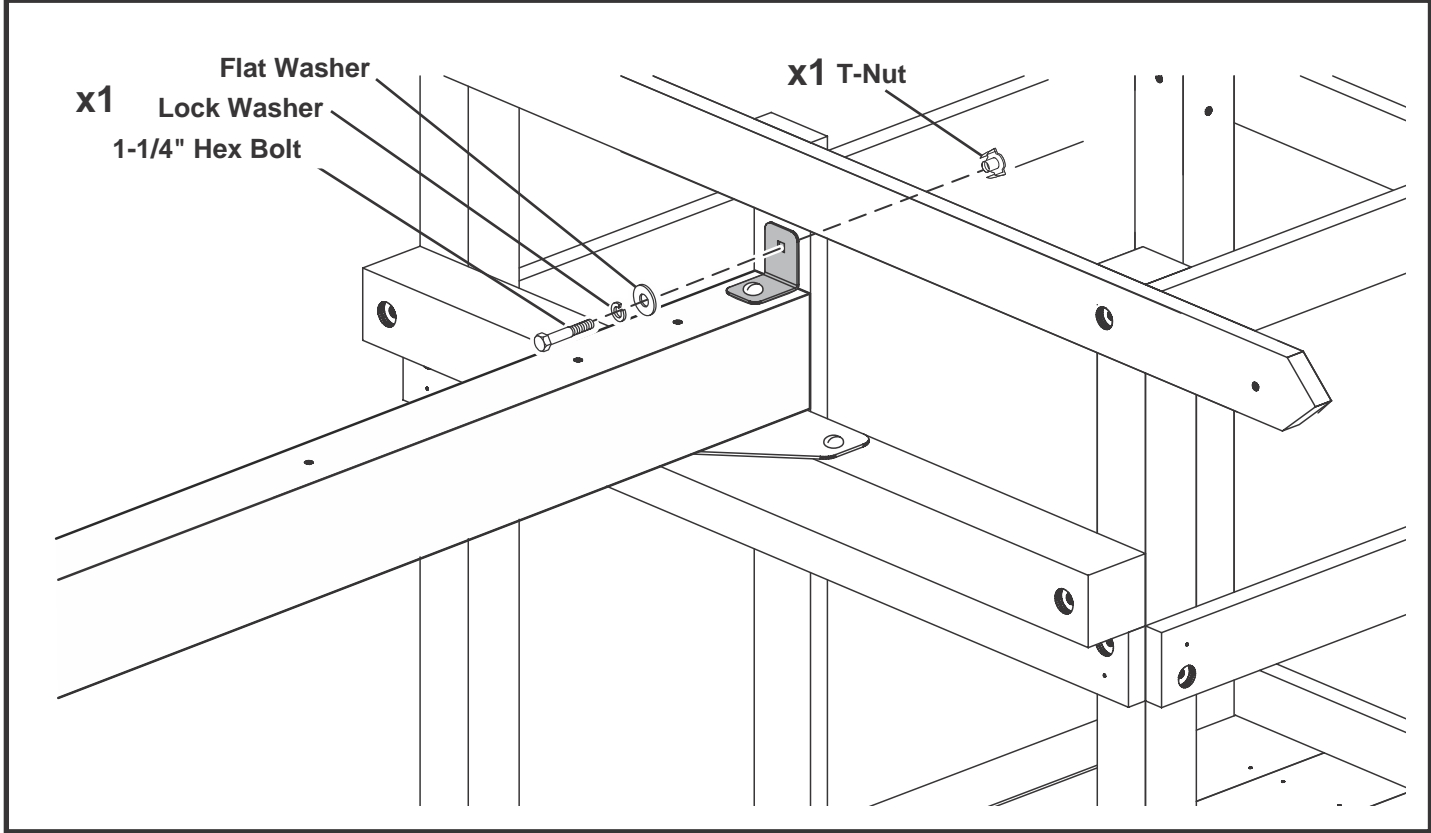
1. Pre-drill using 3/16" bit.
2. Re-drill from opposite side using 7/16" bit.

SEE PAGE 7



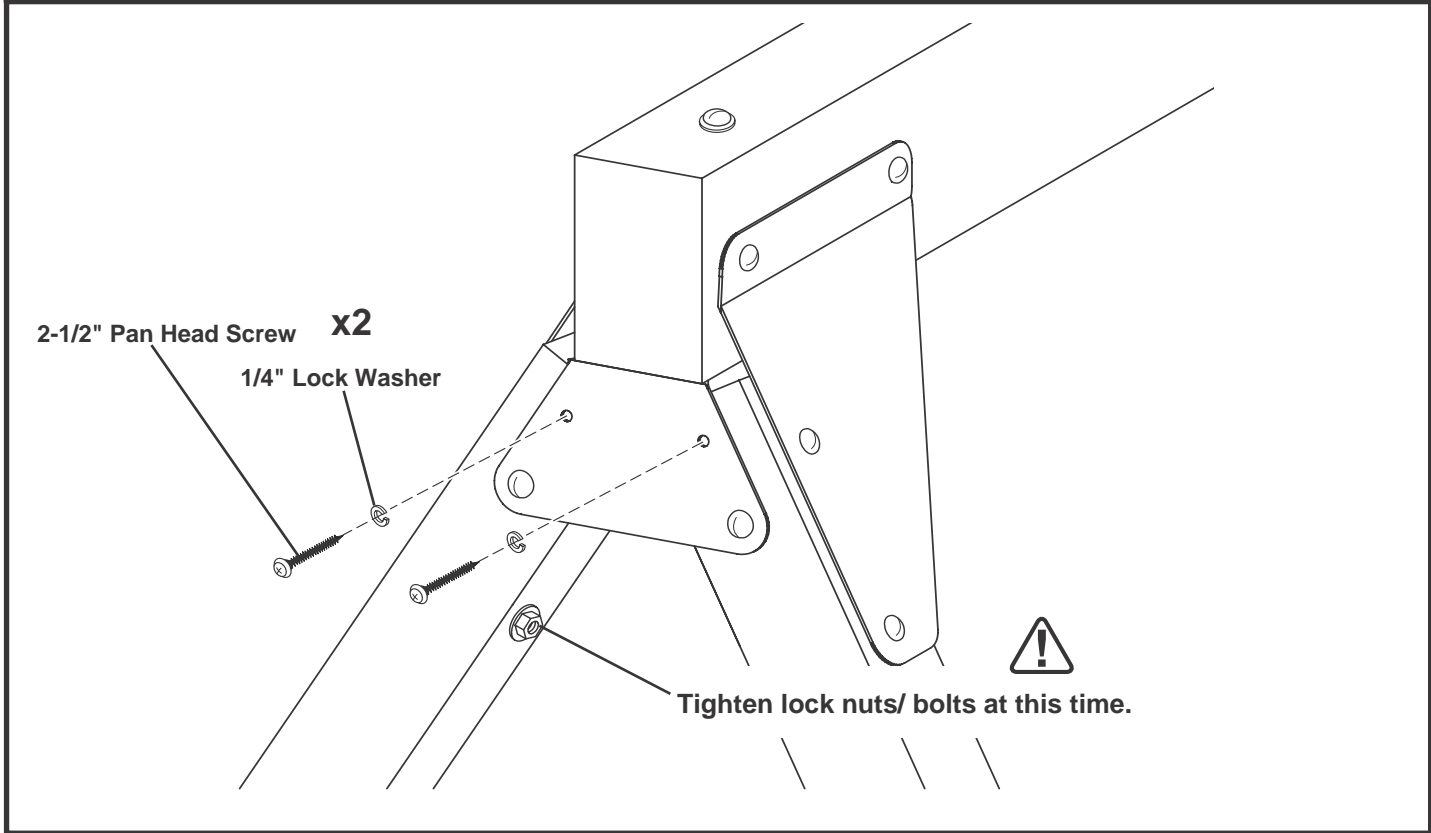
SWING BEAM

INSTALL



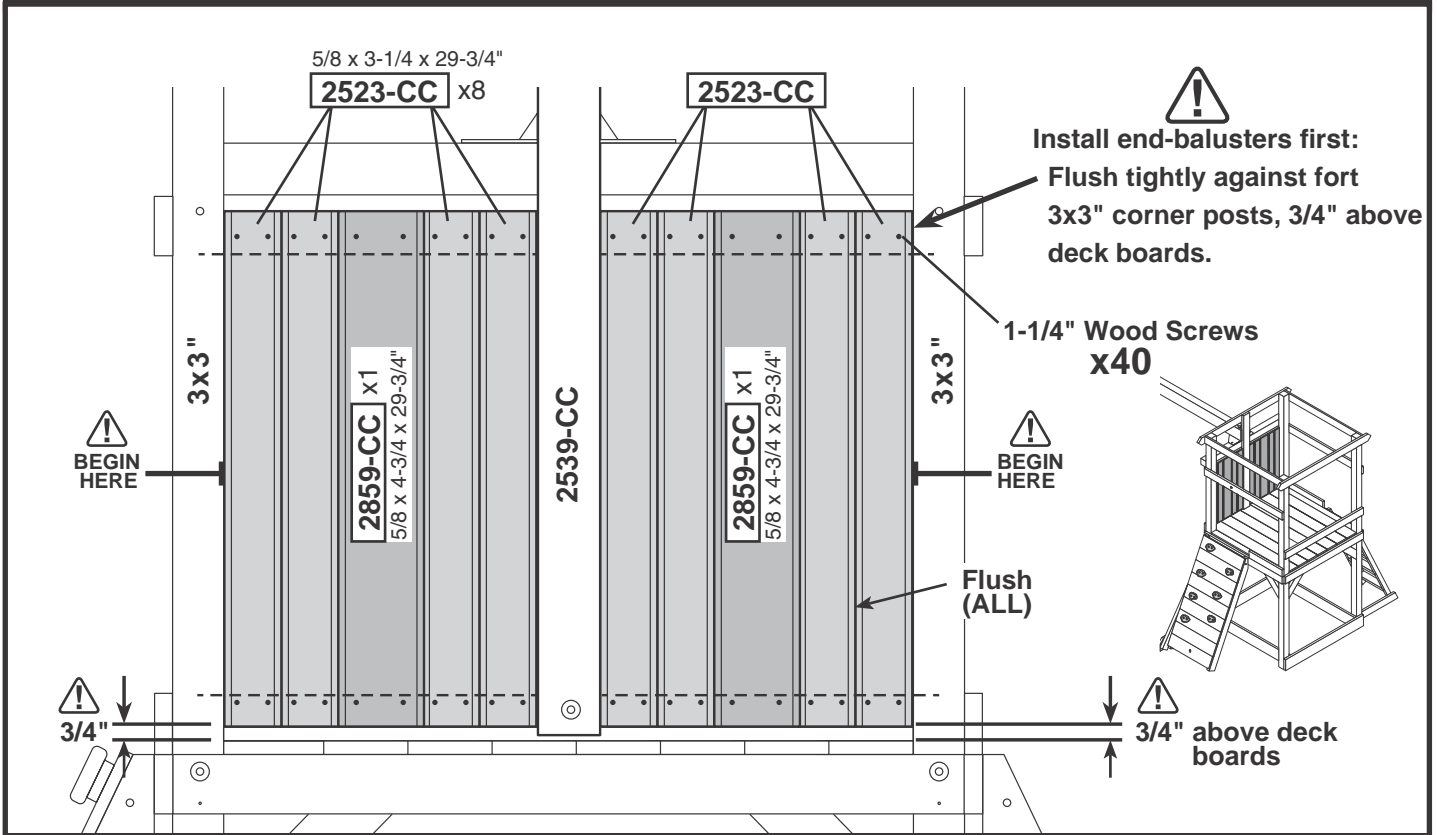
SWING BEAM

ASSEMBLE



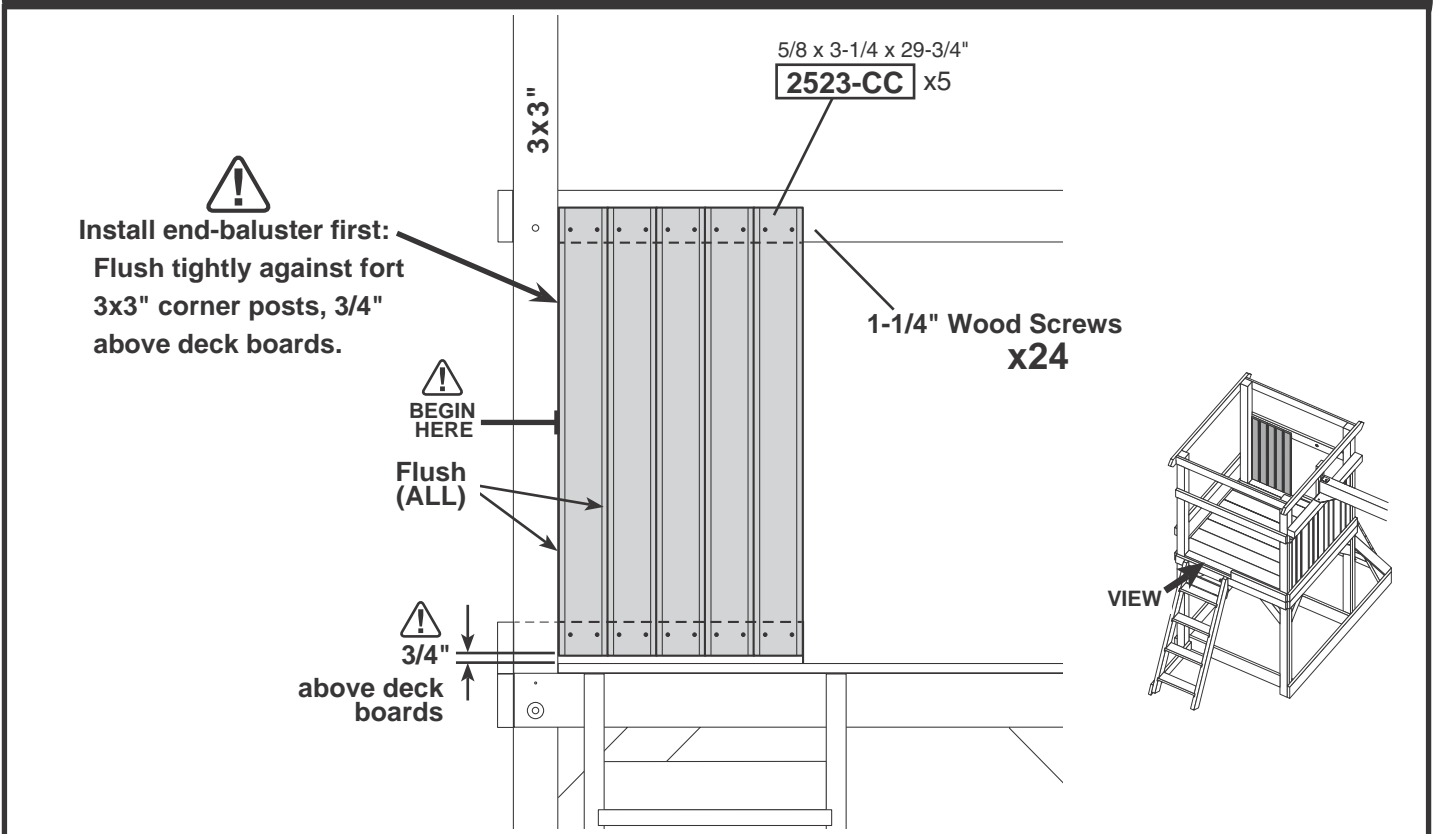
FORT

SWING-SIDE BALUSTERS



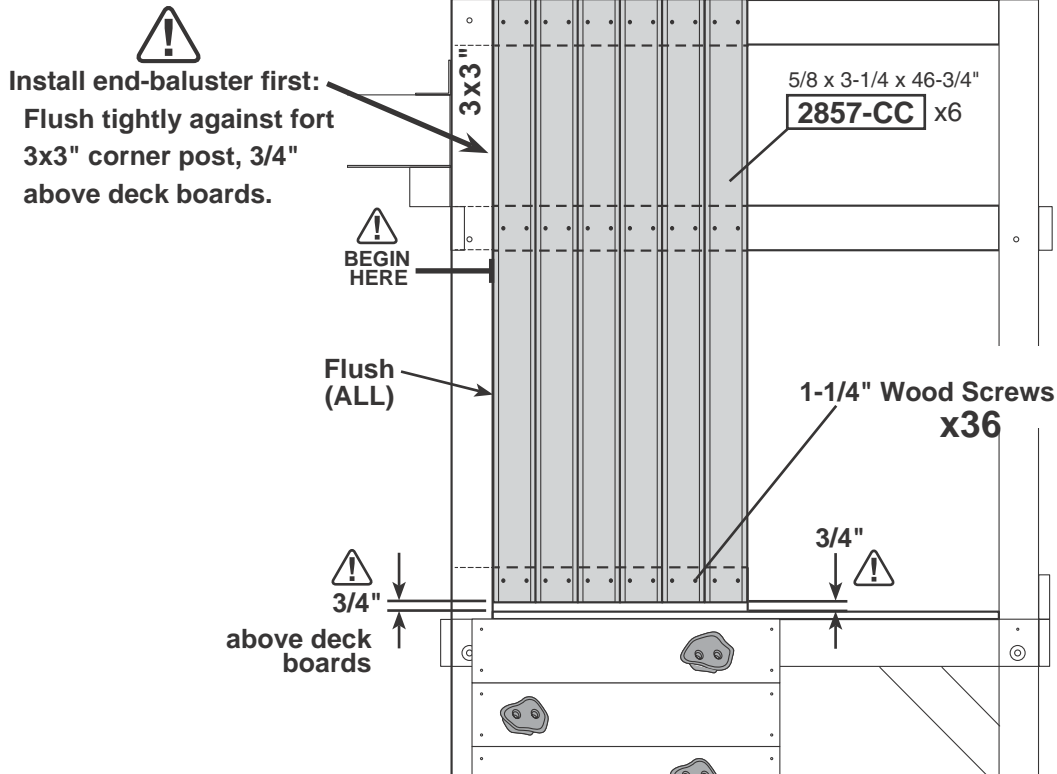
FORT

ROCK WALL-SIDE BALUSTERS

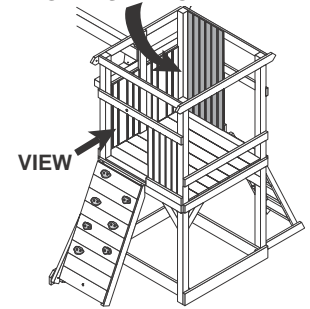


FORT

LADDER-SIDE BALUSTERS 1

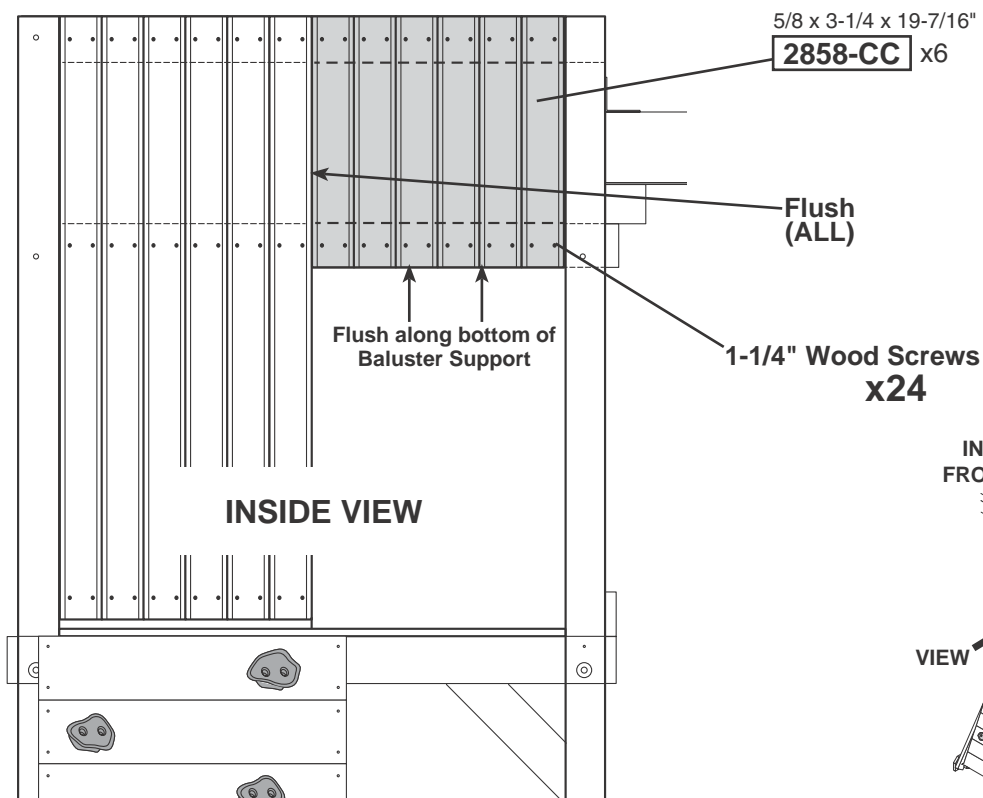


INSTALLATION:
FROM INSIDE FORT

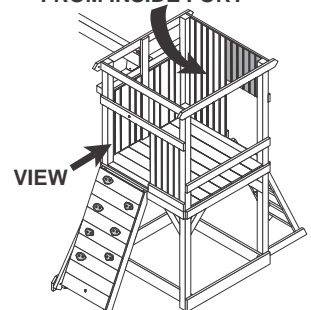


FORT

LADDER-SIDE BALUSTERS 2

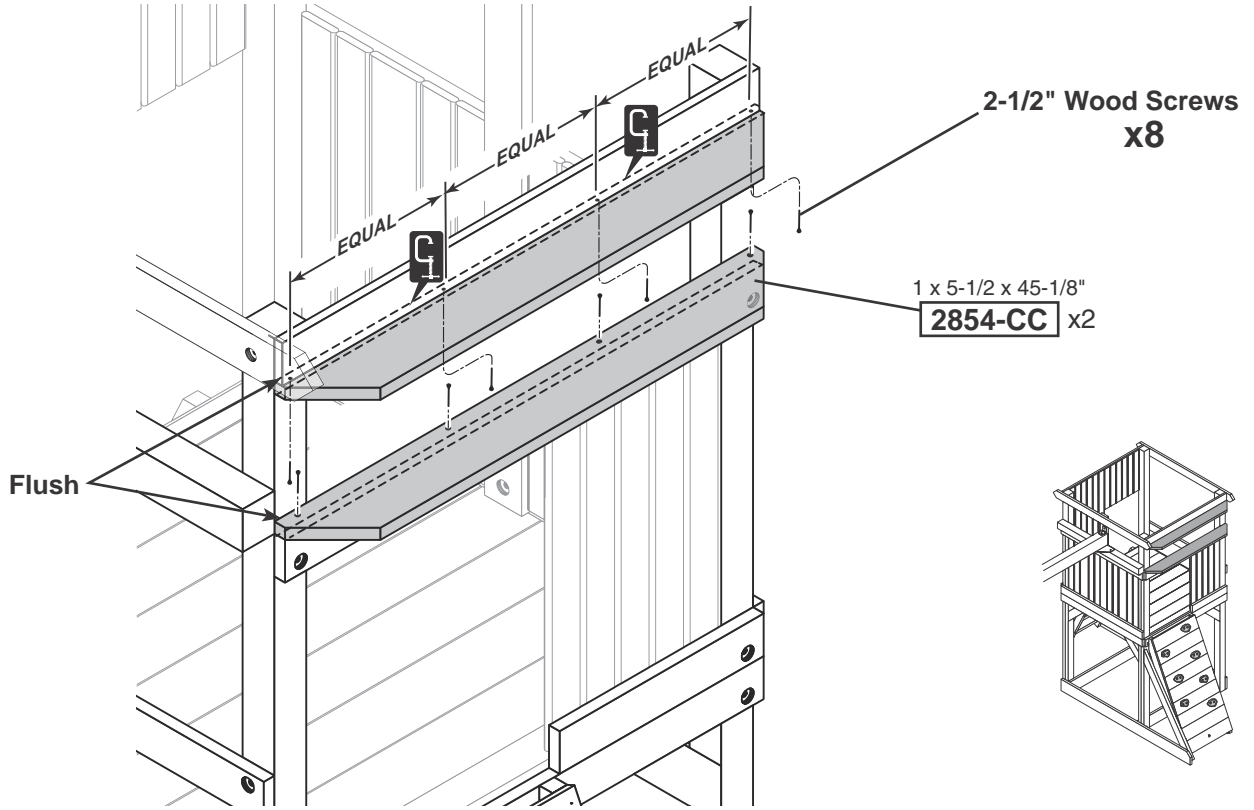


INSTALLATION:
FROM INSIDE FORT



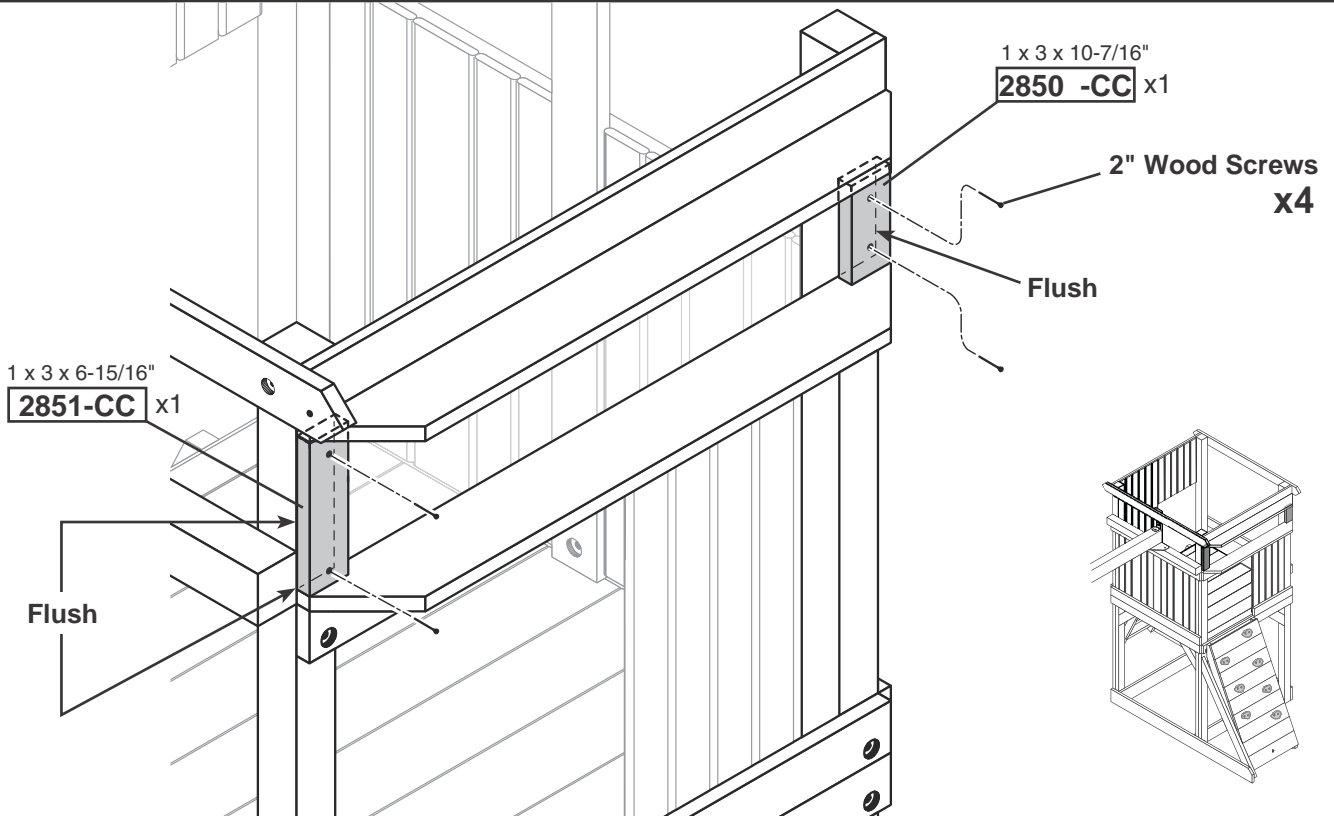
FORT

BAY WINDOW



FORT

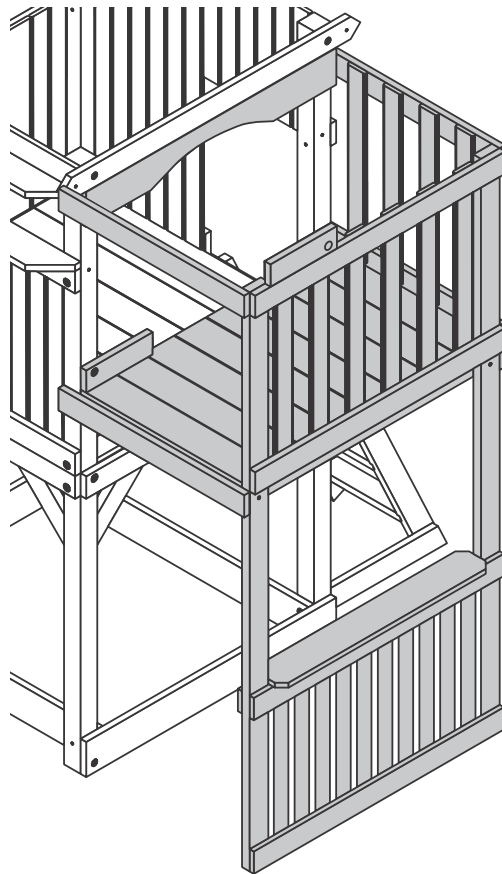
BAY WINDOW





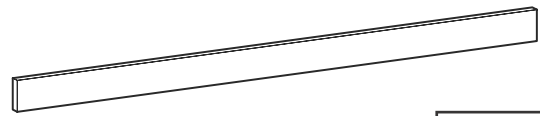
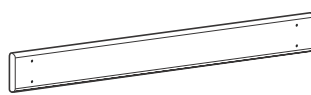
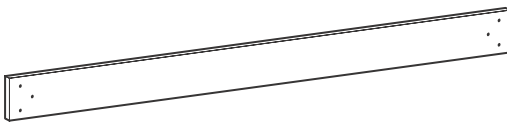
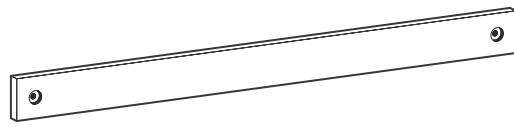
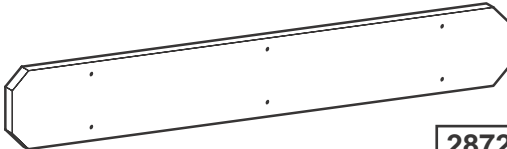
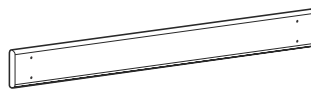
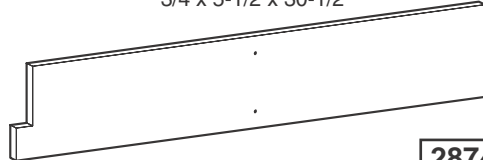
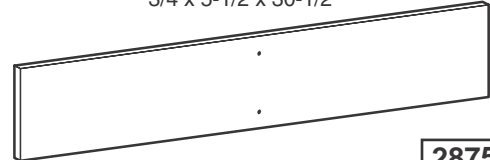
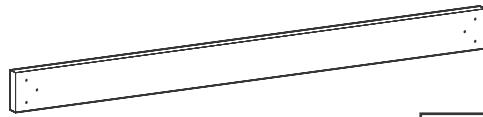
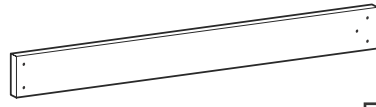



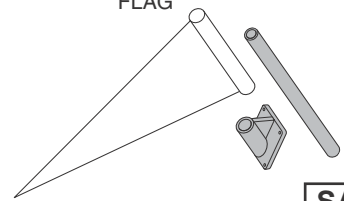
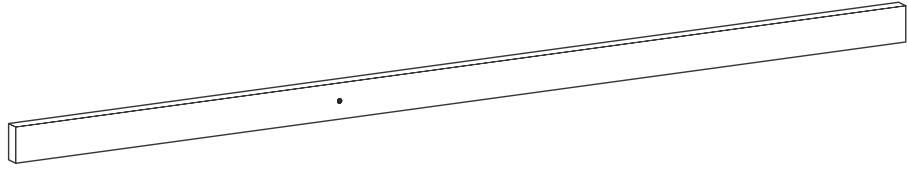
YOU WILL BUILD YOUR TERRACE AT THIS TIME.

BEGIN ON NEXT PAGE.



TERRACE PARTS LIST

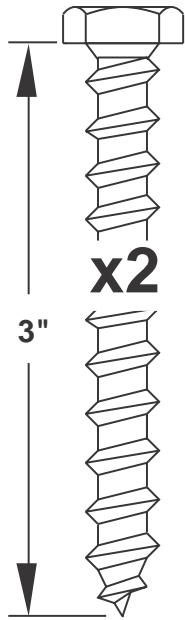
TERRACE PARTS

| | |
|--|---|
| <p>3/4 x 2-1/2 x 45-1/8"</p>  <p>2516-CC x1</p> | <p>5/8 x 3-1/4 x 29-3/4"</p>  <p>2523-CC x10</p> |
| <p>3/4 x 3-1/2 x 45-1/8"</p>  <p>2870-CC x3</p> | <p>1 x 3-1/2 x 45-1/8"</p>  <p>2871-CC x1</p> |
| <p>3/4 x 5-1/2 x 38"</p>  <p>2872-CC x1</p> | <p>5/8 x 3-1/4 x 27-1/2"</p>  <p>2873-CC x10</p> |
| <p>3/4 x 5-1/2 x 30-1/2"</p>  <p>2874-CC x2</p> | <p>3/4 x 5-1/2 x 30-1/2"</p>  <p>2875-CC x6</p> |
| <p>1 x 3-1/2 x 45-1/2"</p>  <p>2876-CC x2</p> | <p>1 x 3-1/2 x 33-1/2"</p>  <p>2877-CC x5</p> |
| <p>5/8 x 3-1/4 x 32-3/4"</p>  <p>2879-CC x2</p> | <p>1 x 5-1/2 x 45-1/8"</p>  <p>2880-CC x1</p> |
| | <p>1 x 1-3/8 x 17"</p>  <p>1015-CC x1</p> |
| | <p>FLAG</p>  <p>SA 4211 x2</p> |
| <p>1-3/8 x 3-3/8 x 90-1/2"</p>  <p>2881-CC x2</p> | |

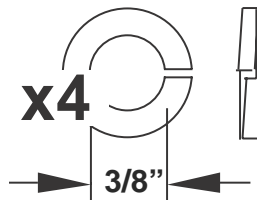
HARDWARE PARTS LIST

F A S T E N E R S

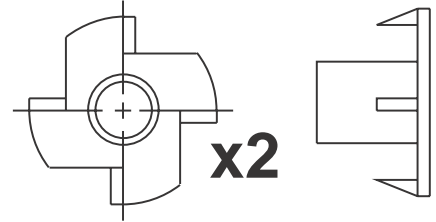
3/8" LAG BOLT



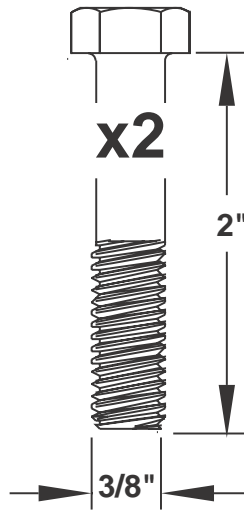
3/8" LOCK WASHER



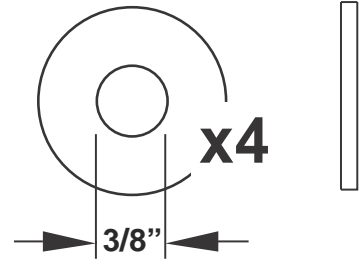
3/8" T - NUT



3/8" HEX BOLT

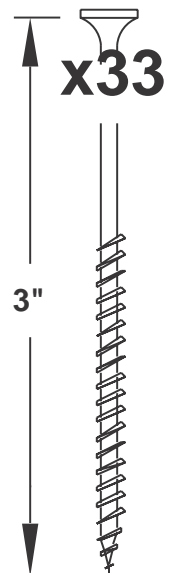
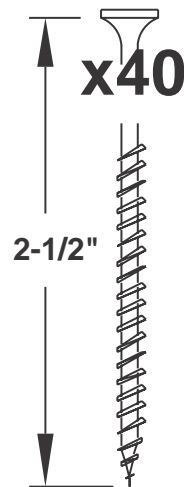
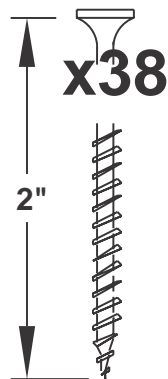
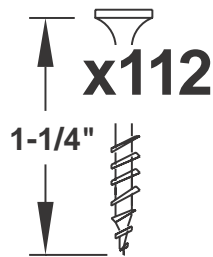


3/8" FLAT WASHER



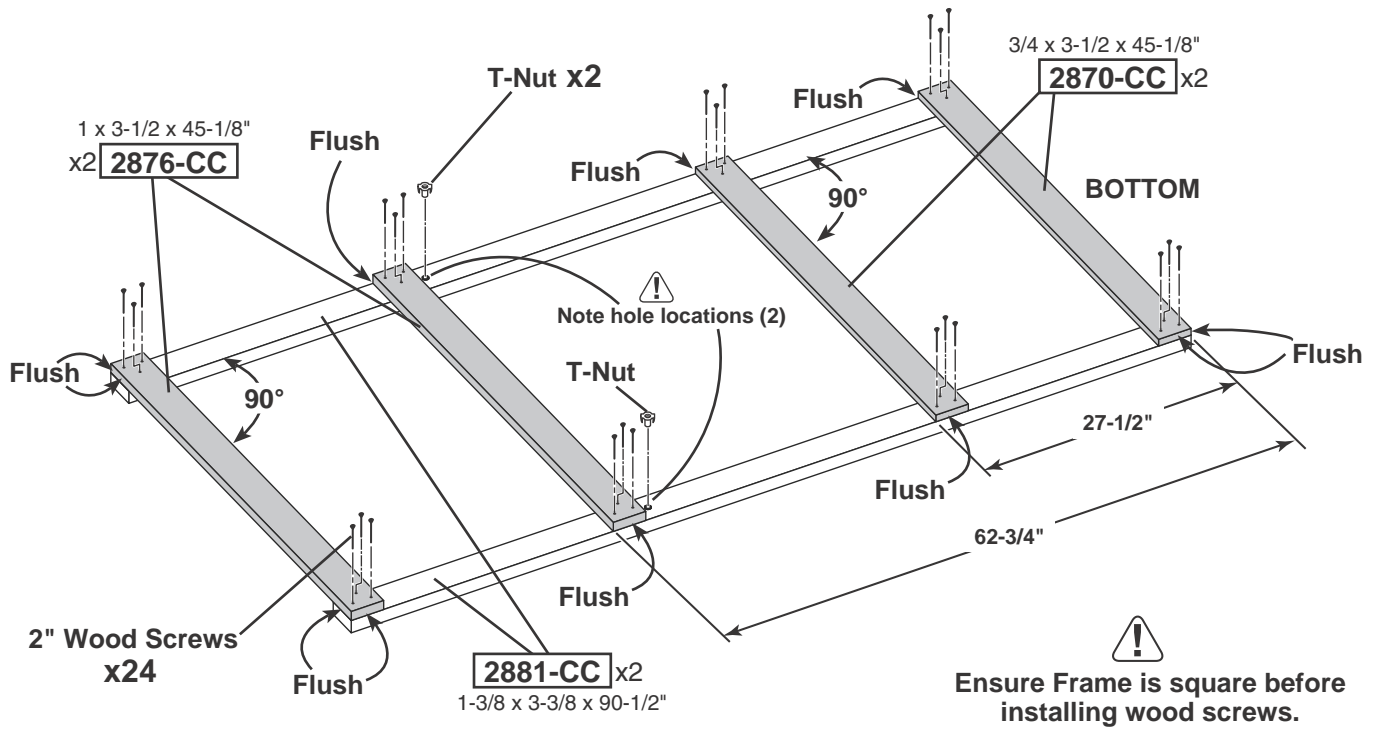
A C T U A L
S I Z E

WOOD SCREWS



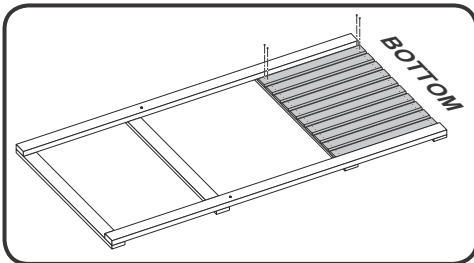
FRAME

ASSEMBLE



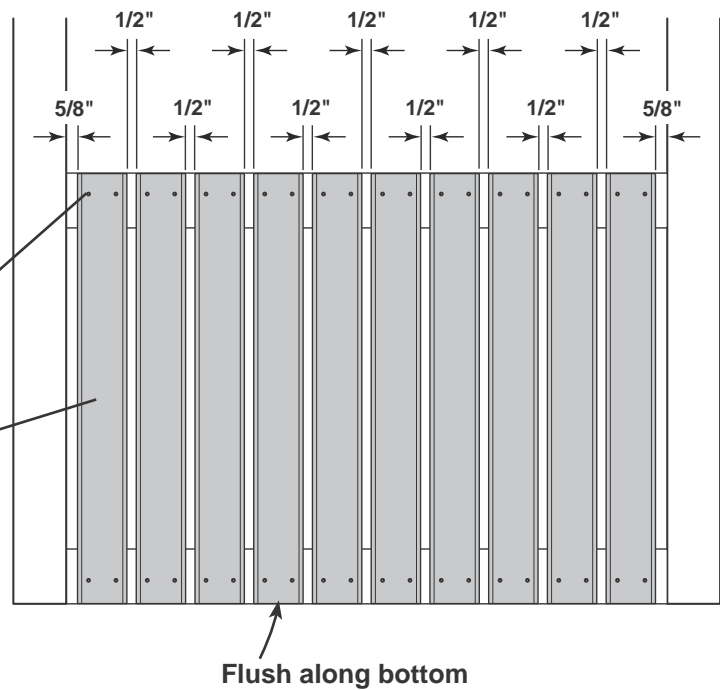
BALUSTERS

INSTALL



FLIP FRAME OVER TO INSTALL BALUSTERS

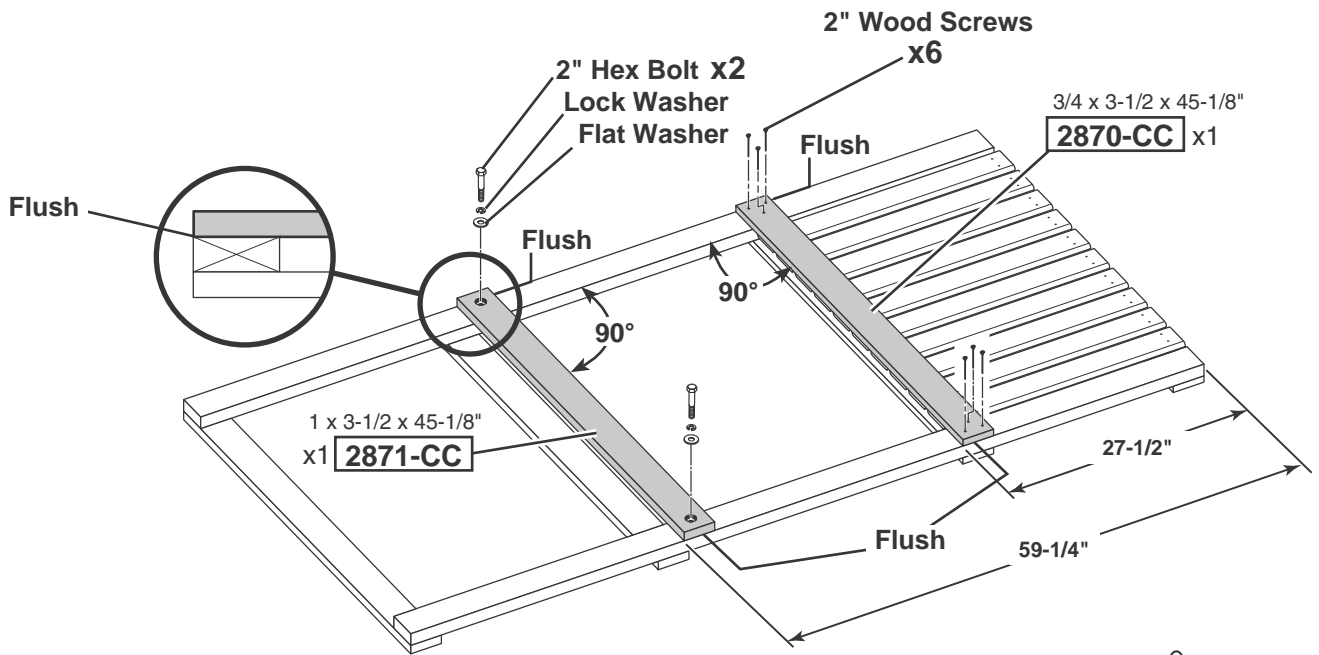
Space all Balusters 1/2" apart.
End balusters 5/8" from frame uprights.



Ensure Balusters are evenly spaced installing wood screws.

SIDE RAILS

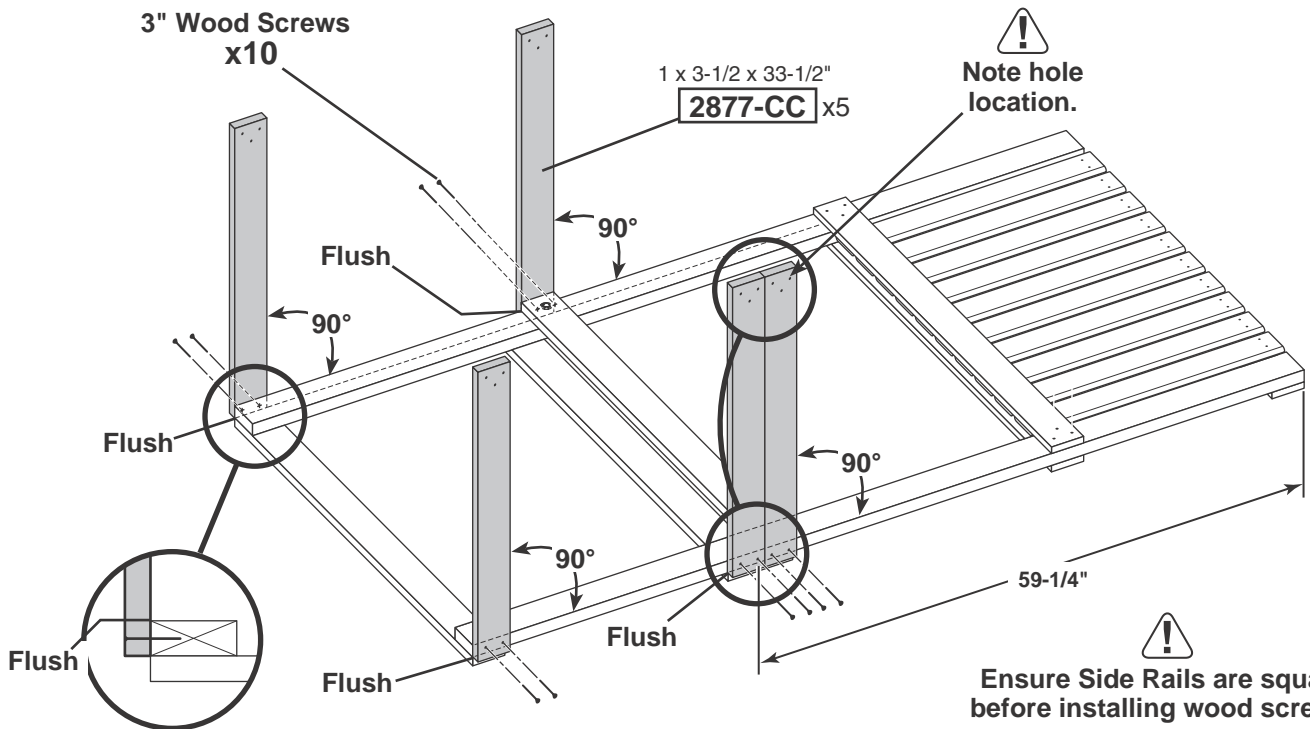
INSTALL



Ensure Side Rails are square before installing fasteners.

SIDE RAILS

INSTALL



Ensure Side Rails are square before installing wood screws.

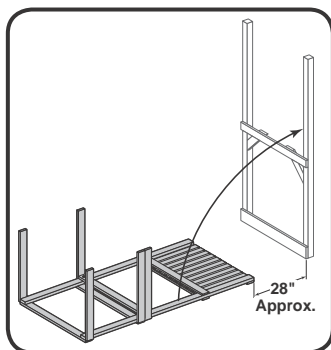
SIDE RAILS

INSTALL

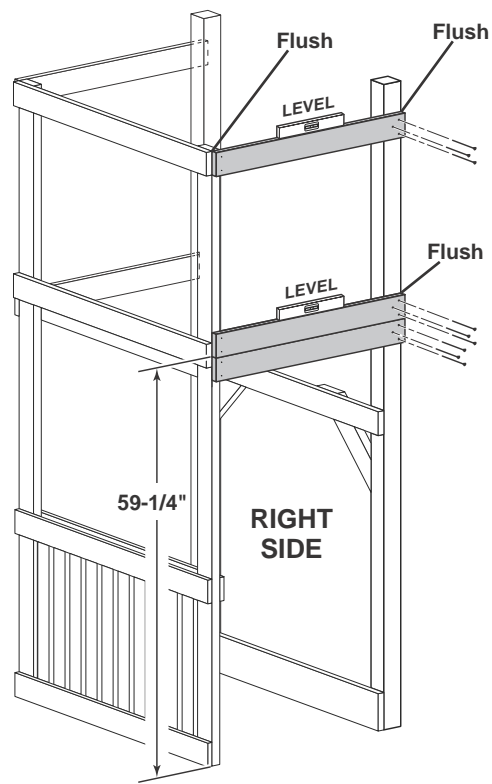
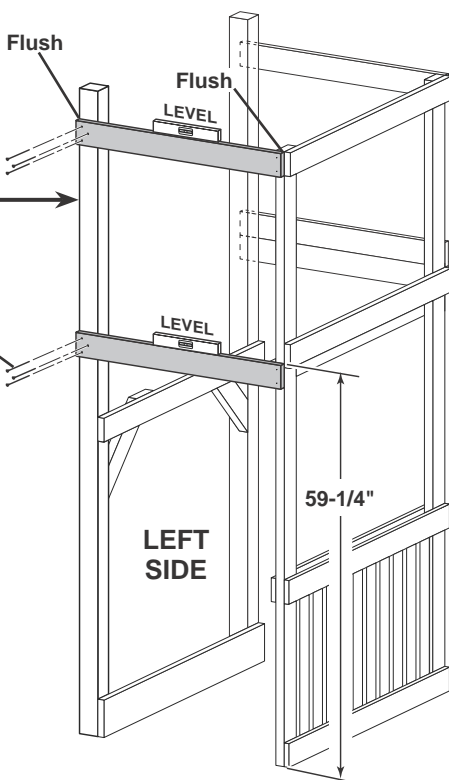
 Ensure side rails are level before installing wood screws.

Attach Terrace to playset tower frame.

3" Wood Screws
x15



TILT FRAME UP TO INSTALL TERRACE



DECK SUPPORT & BAR TOP

INSTALL

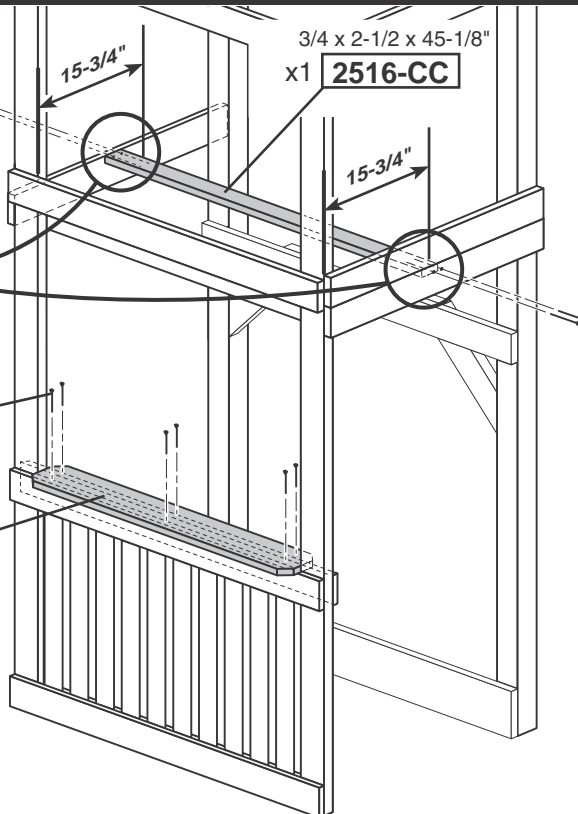
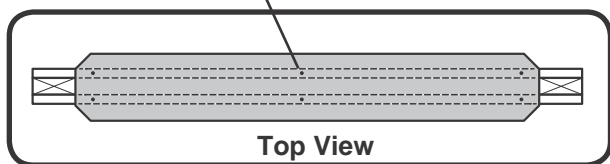
2-1/2" Wood Screws
x4

Flush to top of 2877-CC

2" Wood Screws
x6

3/4 x 5-1/2 x 33"
x1 2872-CC

Screws into baluster top rails.



DECK PLANKS

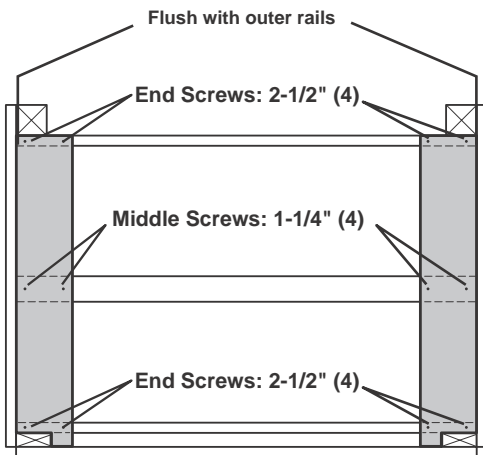
INSTALL

1-1/4" Wood Screws
x4

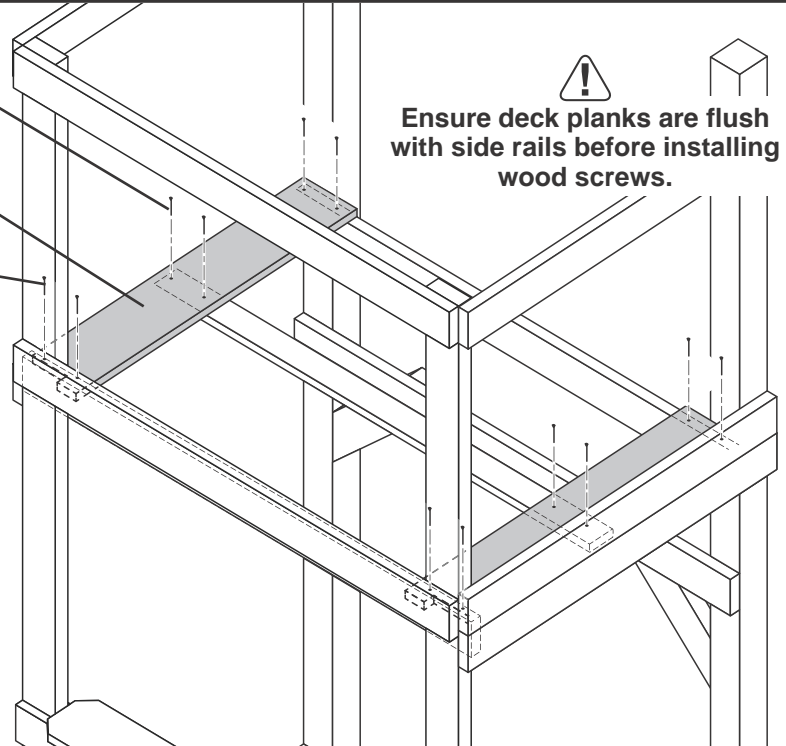
3/4 x 5-1/2 x 30-1/2"
x2 **2874-CC**

2-1/2" Wood Screws
x8

Ensure deck planks are flush with side rails before installing wood screws.



Top View



DECK PLANKS

INSTALL

1-1/4" Wood Screws
x12

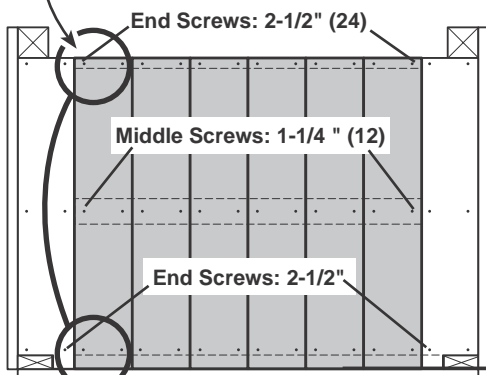
3/4 x 5-1/2 x 30-1/2"
x6 **2875-CC**

2-1/2" Wood Screws
x24

Note hole location.

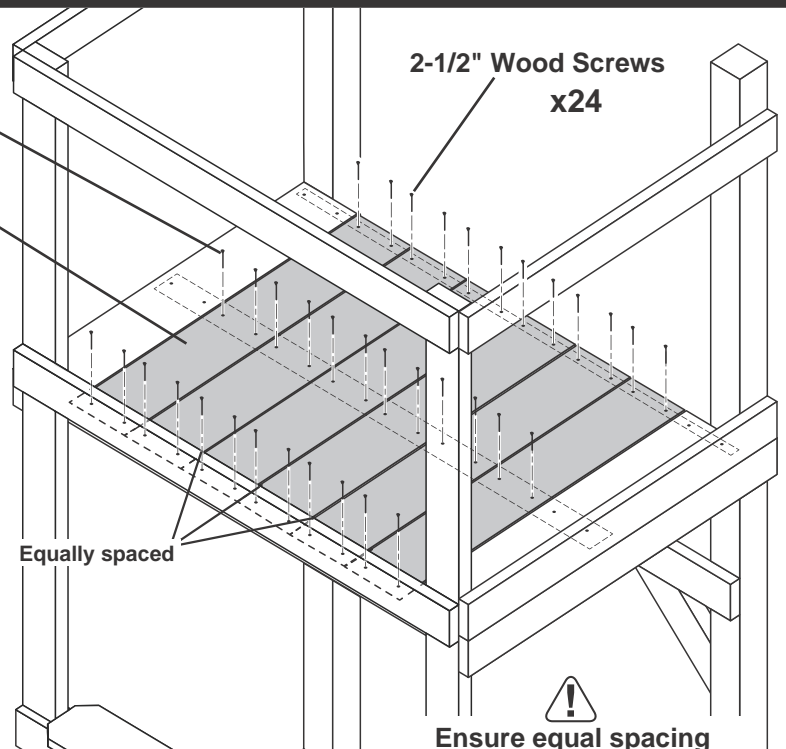
Equally spaced

Ensure equal spacing of deck planks before installing wood screws.



Top View

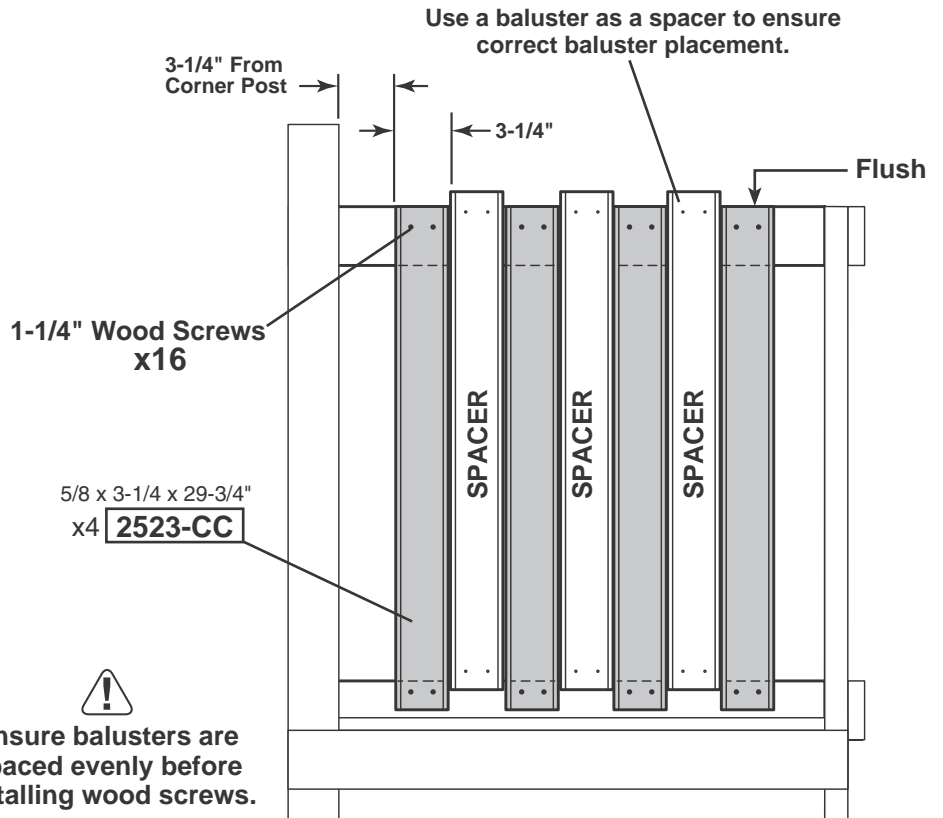
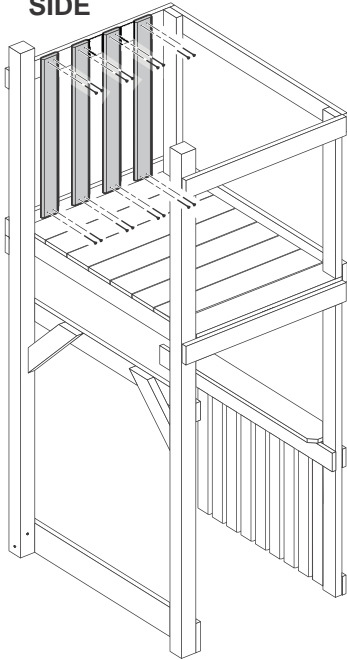
Flush



BALUSTERS

INSTALL

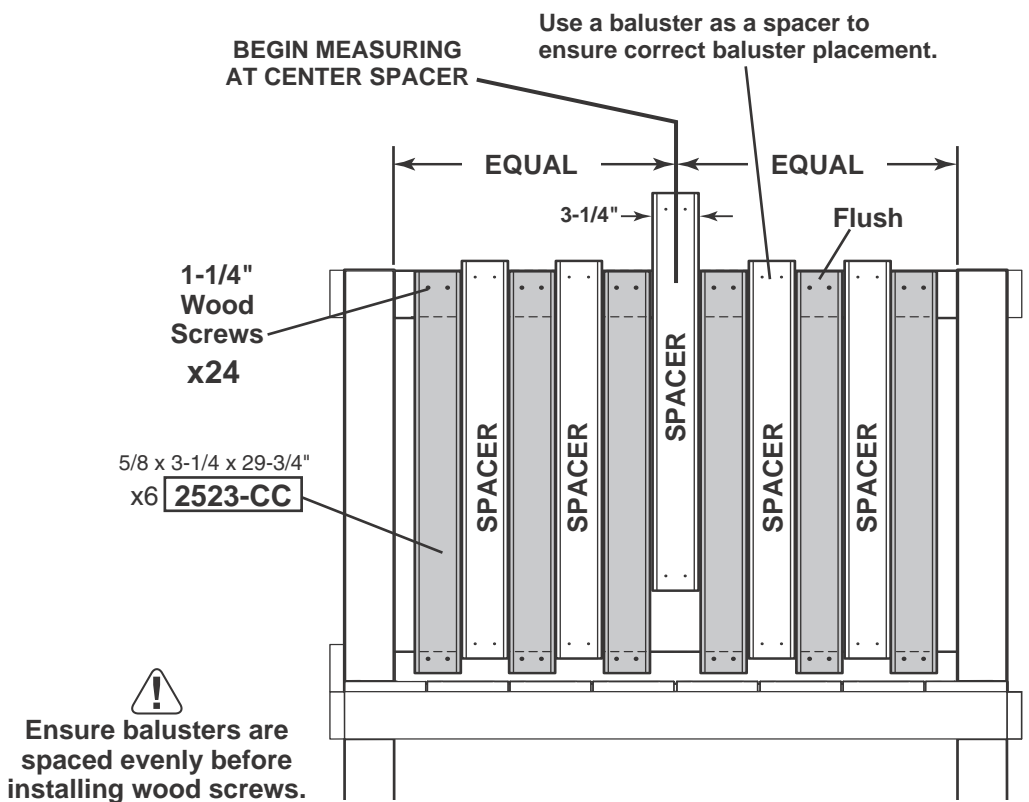
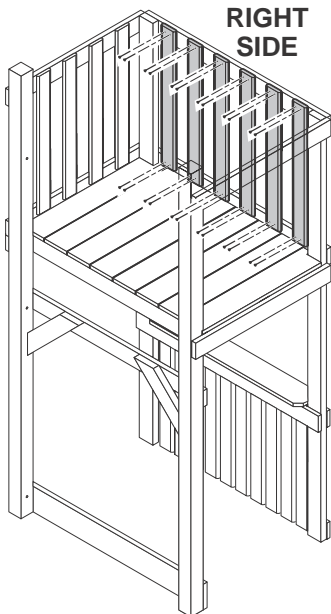
BACK
SIDE



BALUSTERS

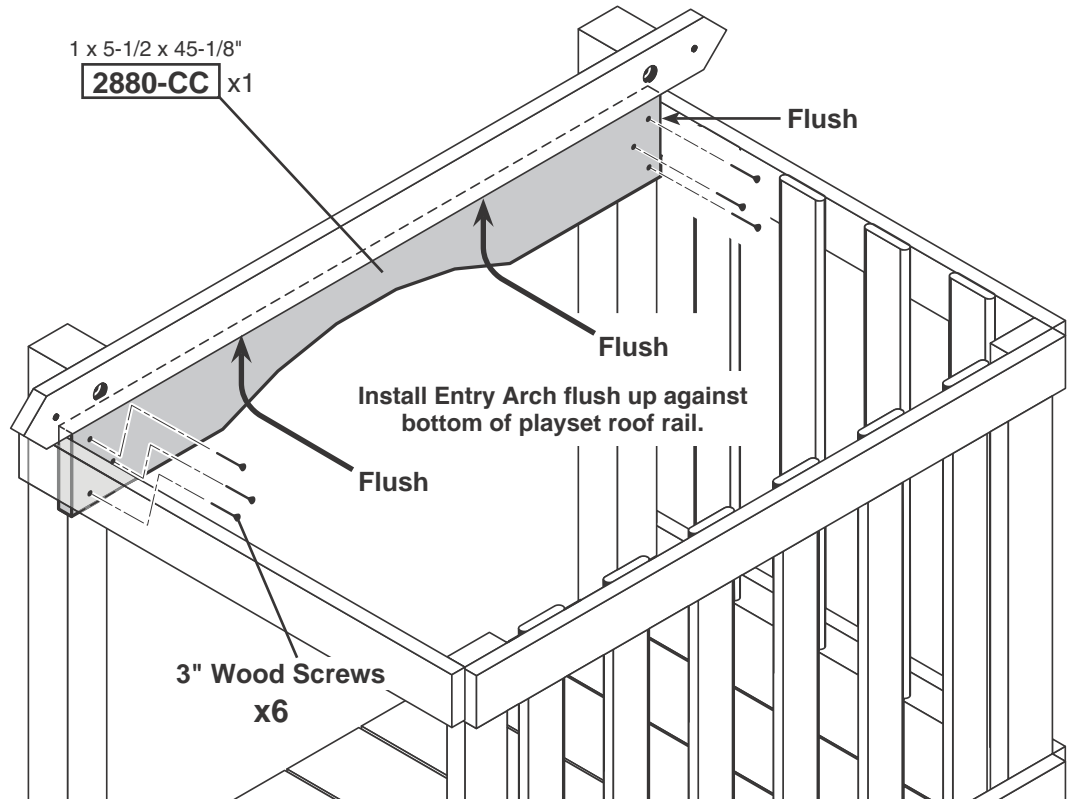
INSTALL

RIGHT
SIDE



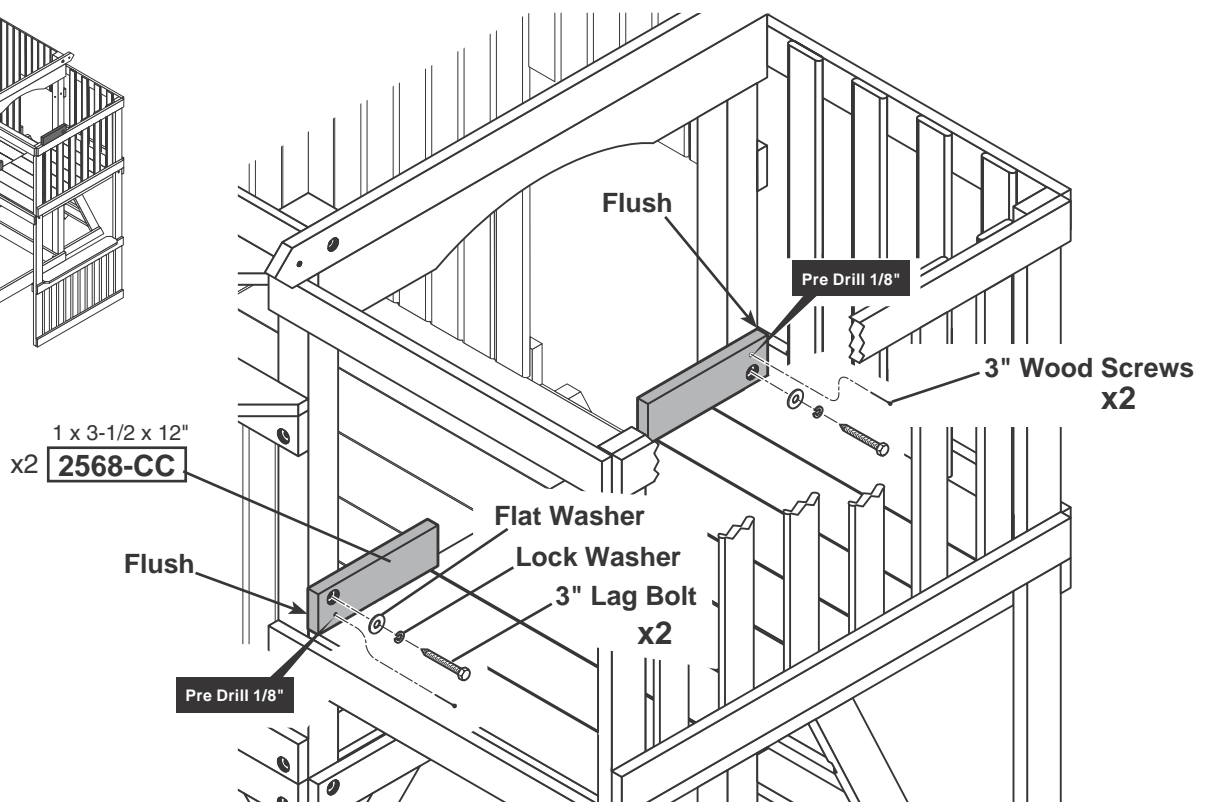
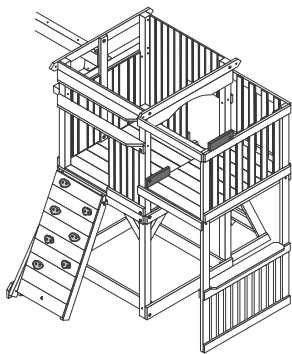
ENTRY ARCH

INSTALL



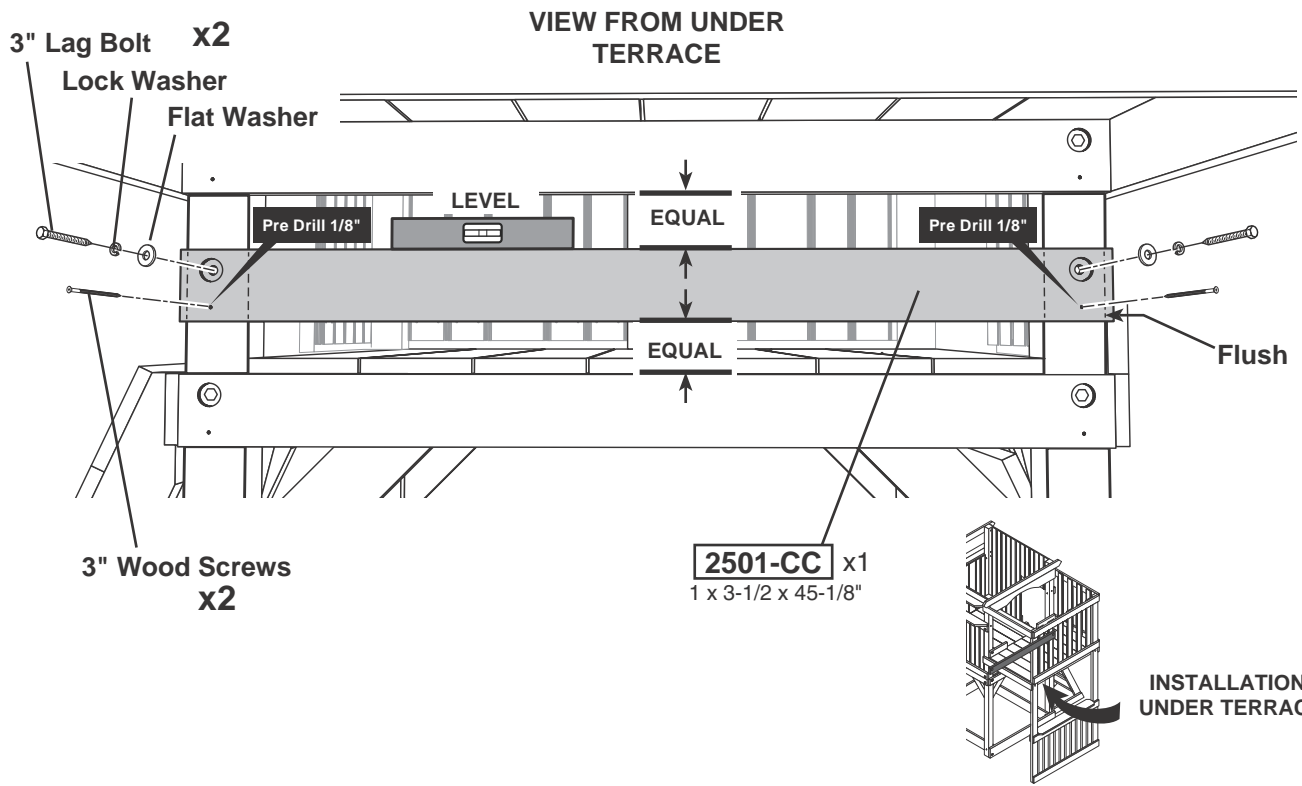
FORT

BALUSTER SUPPORTS



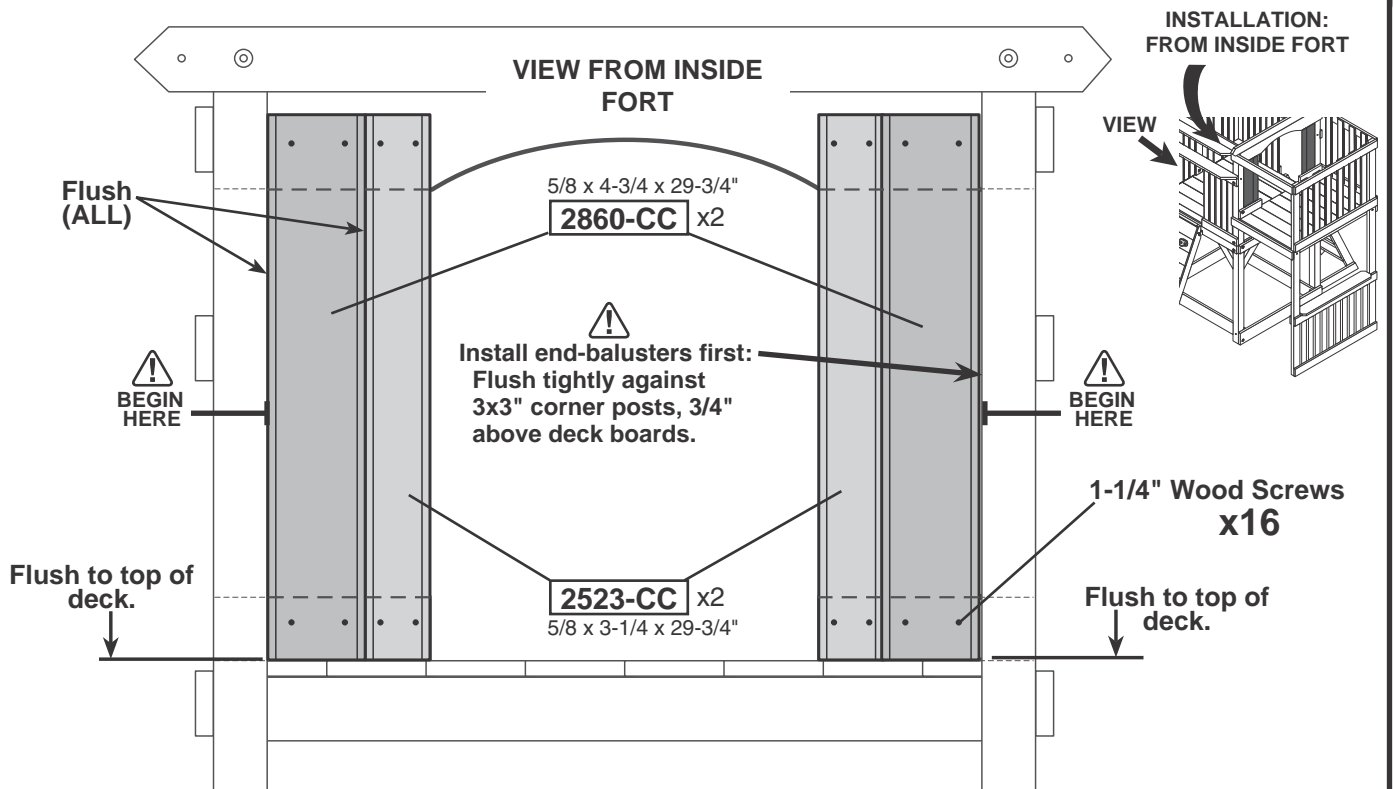
FORT

SAFETY BARRIER



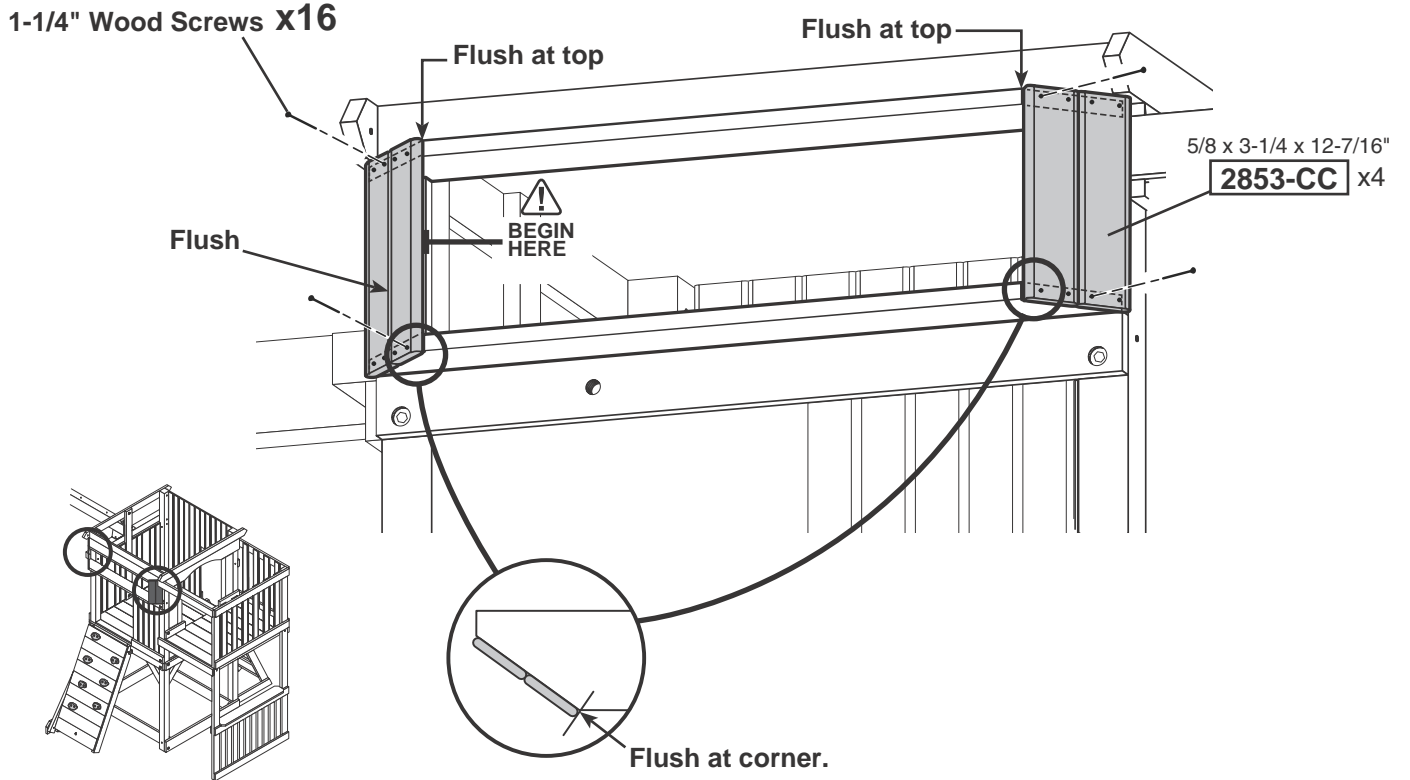
FORT

BALUSTERS



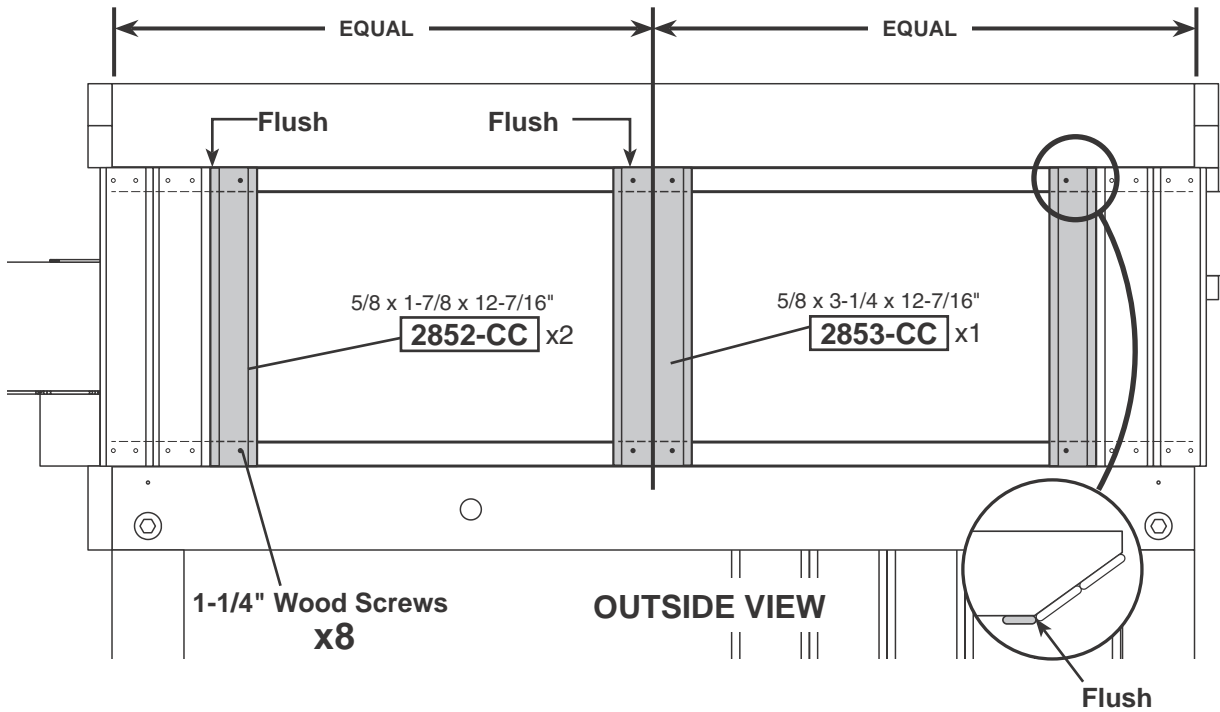
FORT

BAY WINDOW



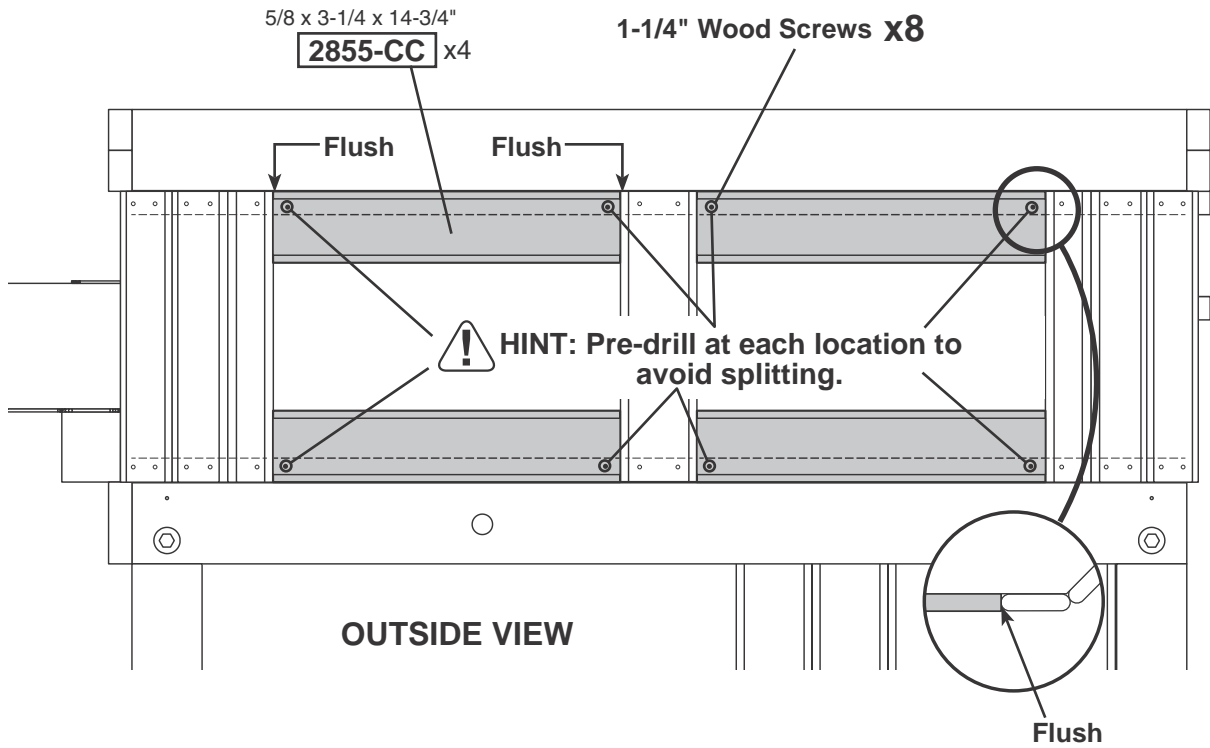
FORT

BAY WINDOW



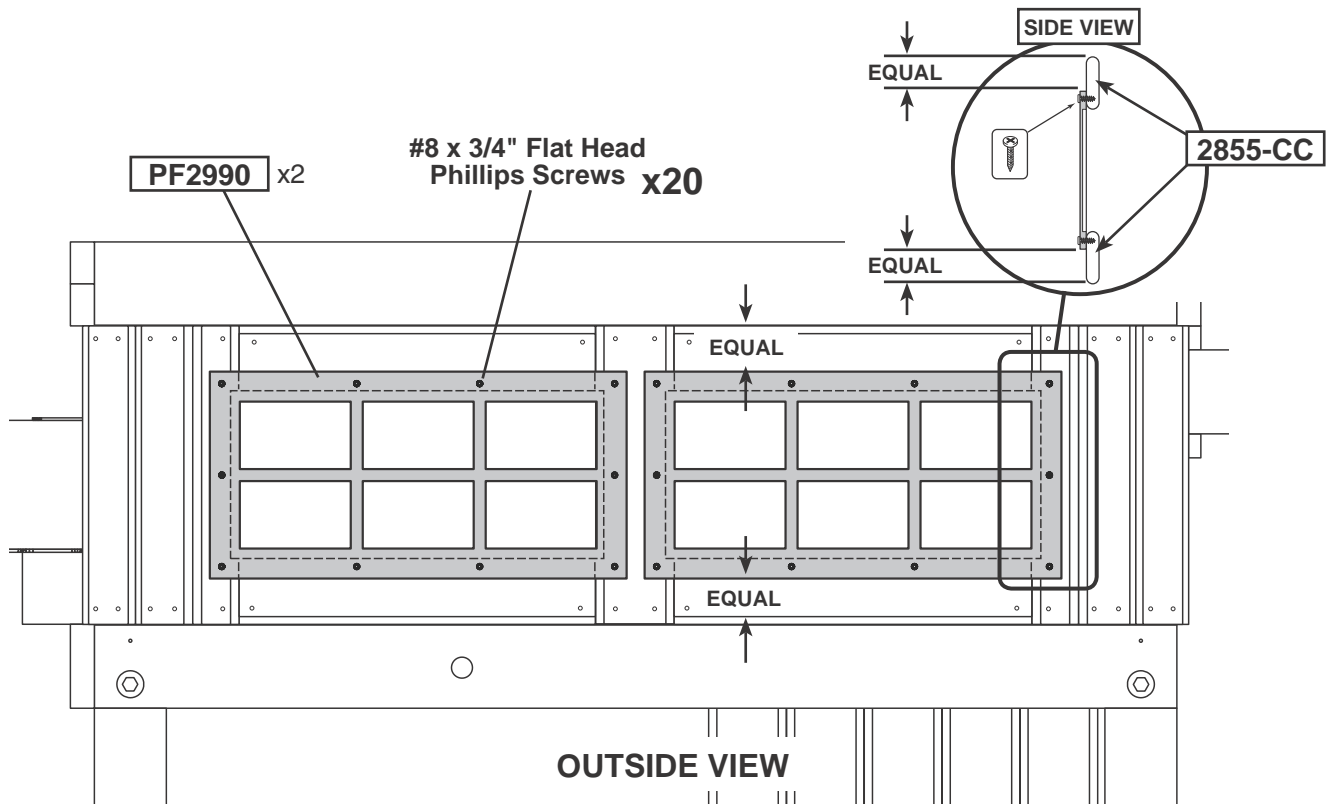
FORT

BAY WINDOW



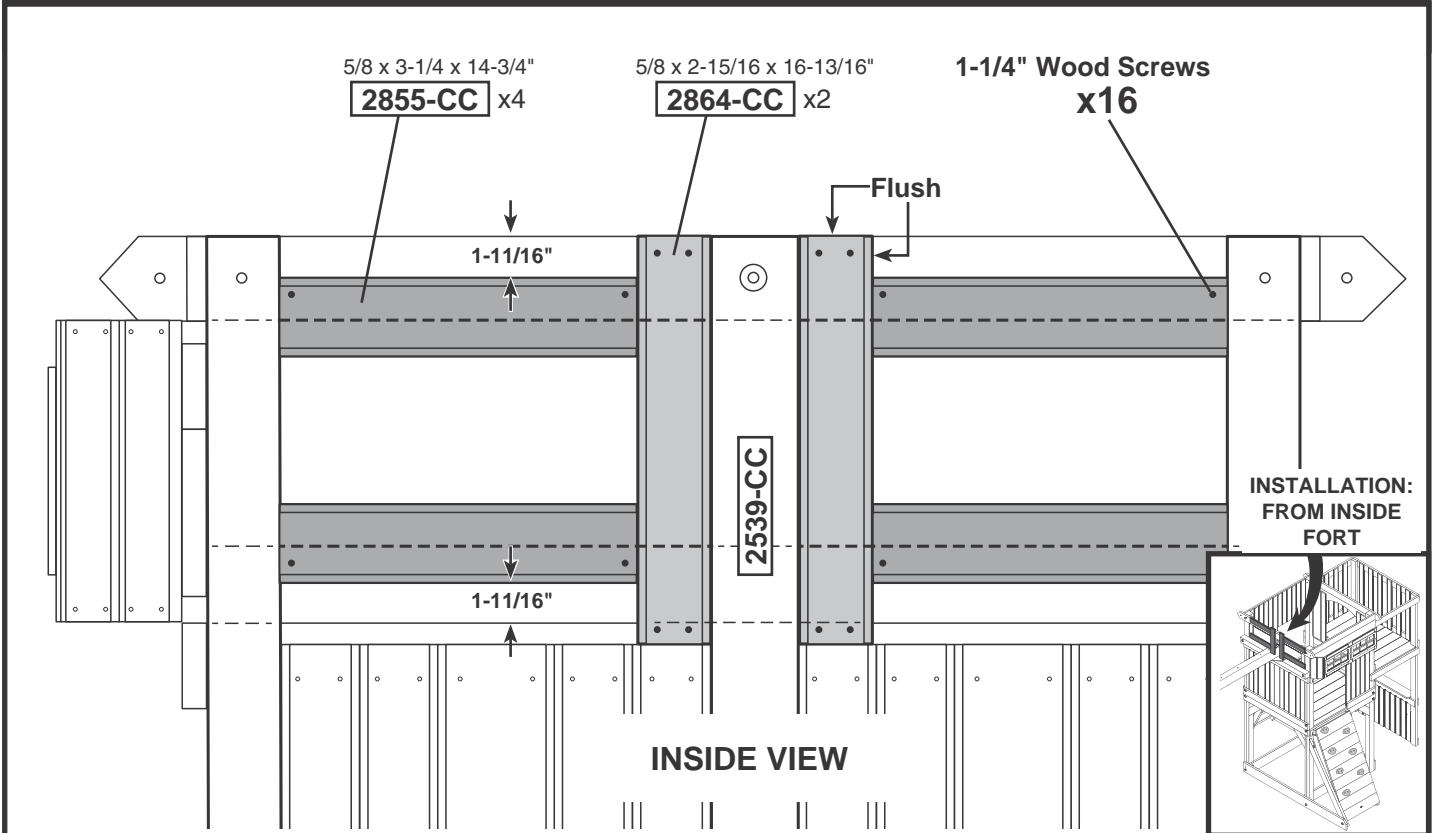
FORT

BAY WINDOW



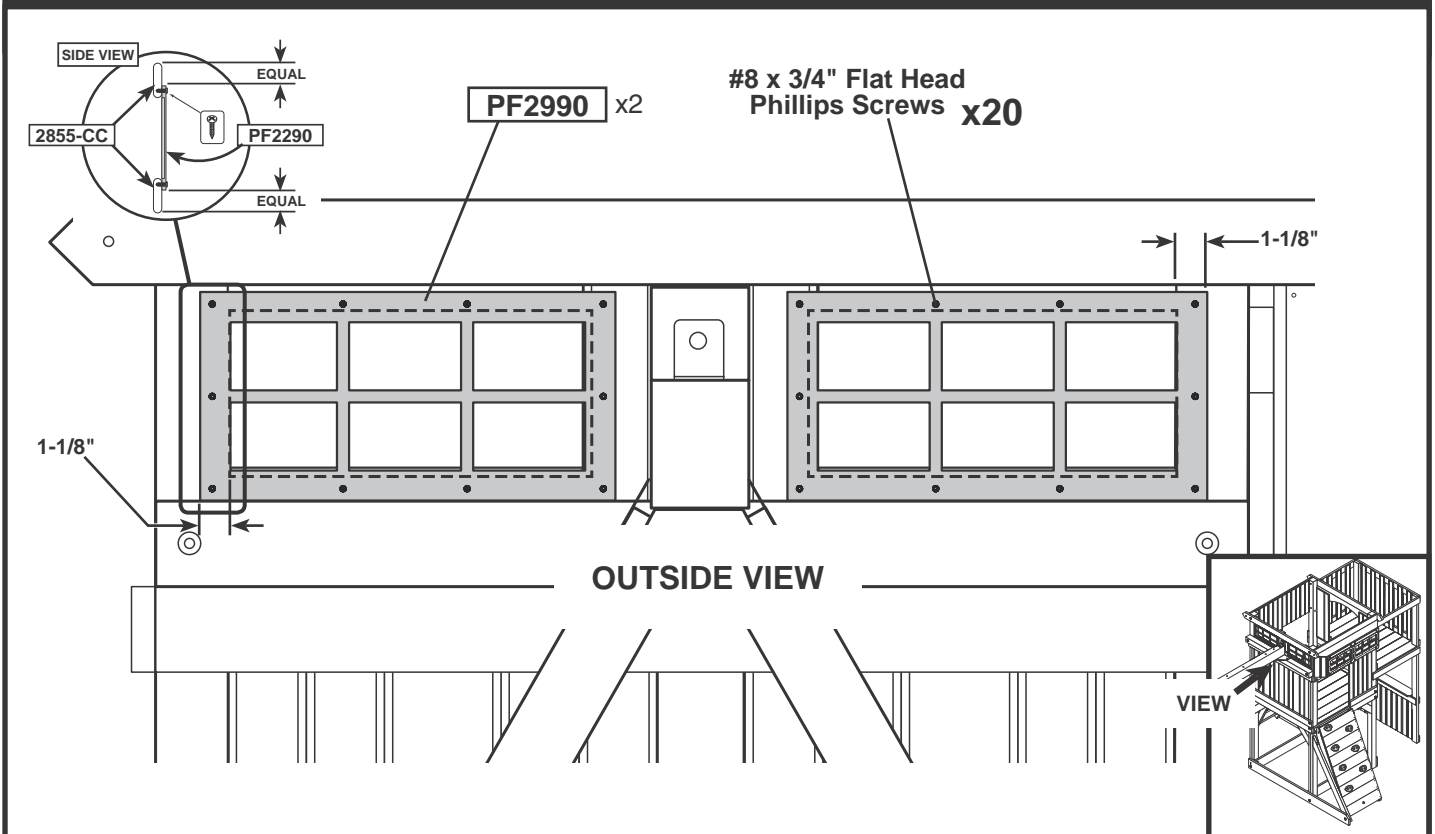
FORT

SWING BEAM SIDE WINDOWS



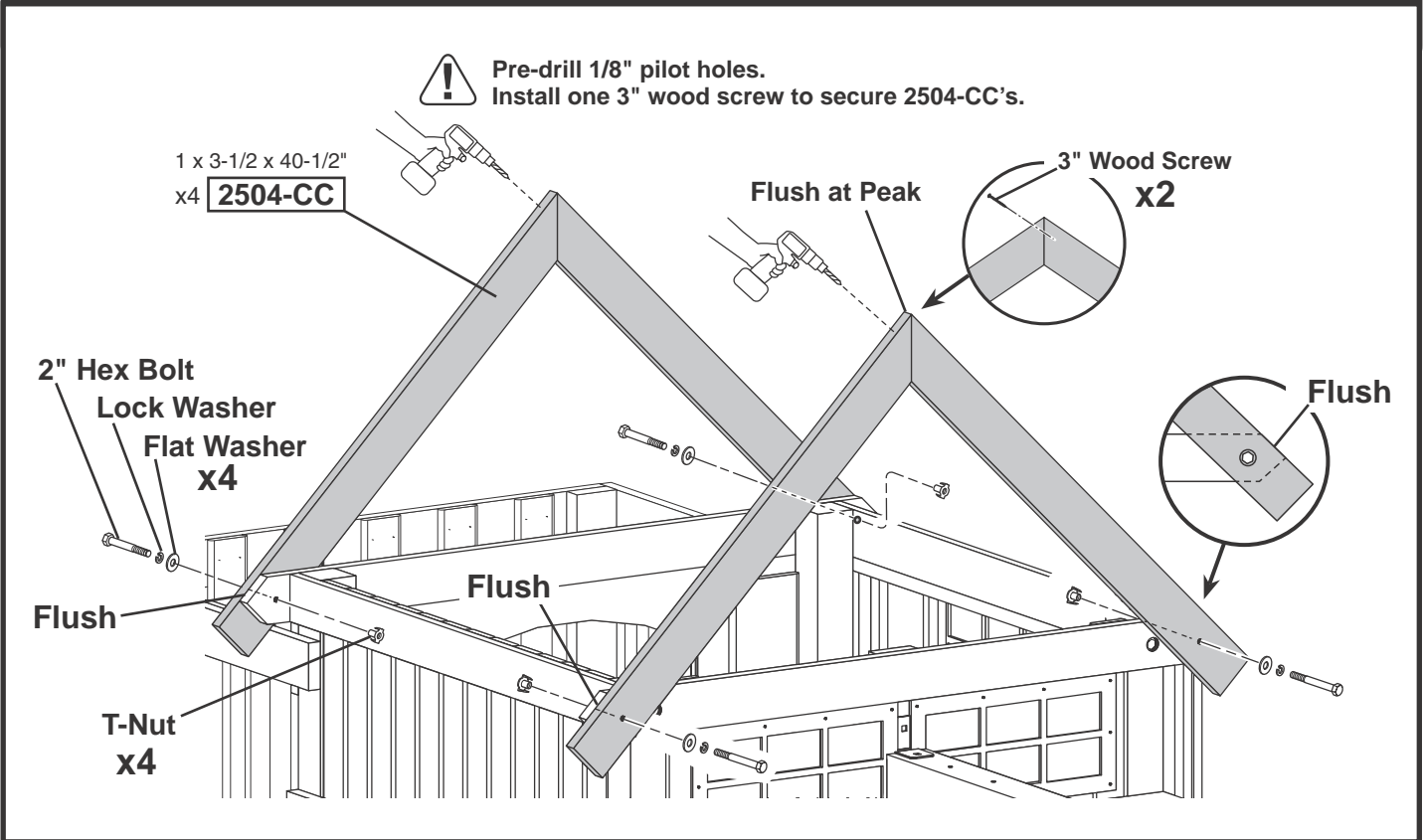
FORT

SWING BEAM SIDE WINDOWS



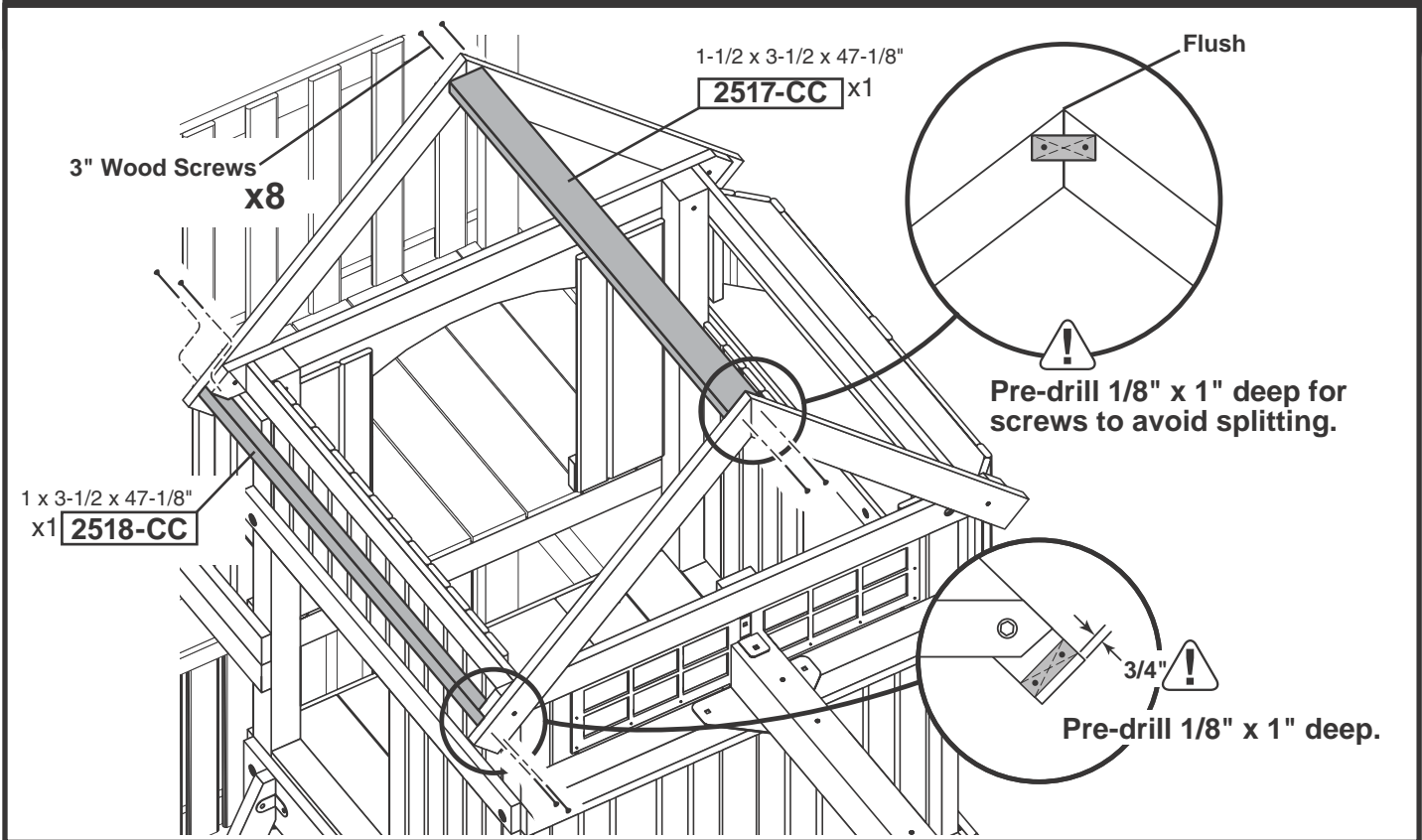
ROOF

FRAME



ROOF

FRAME



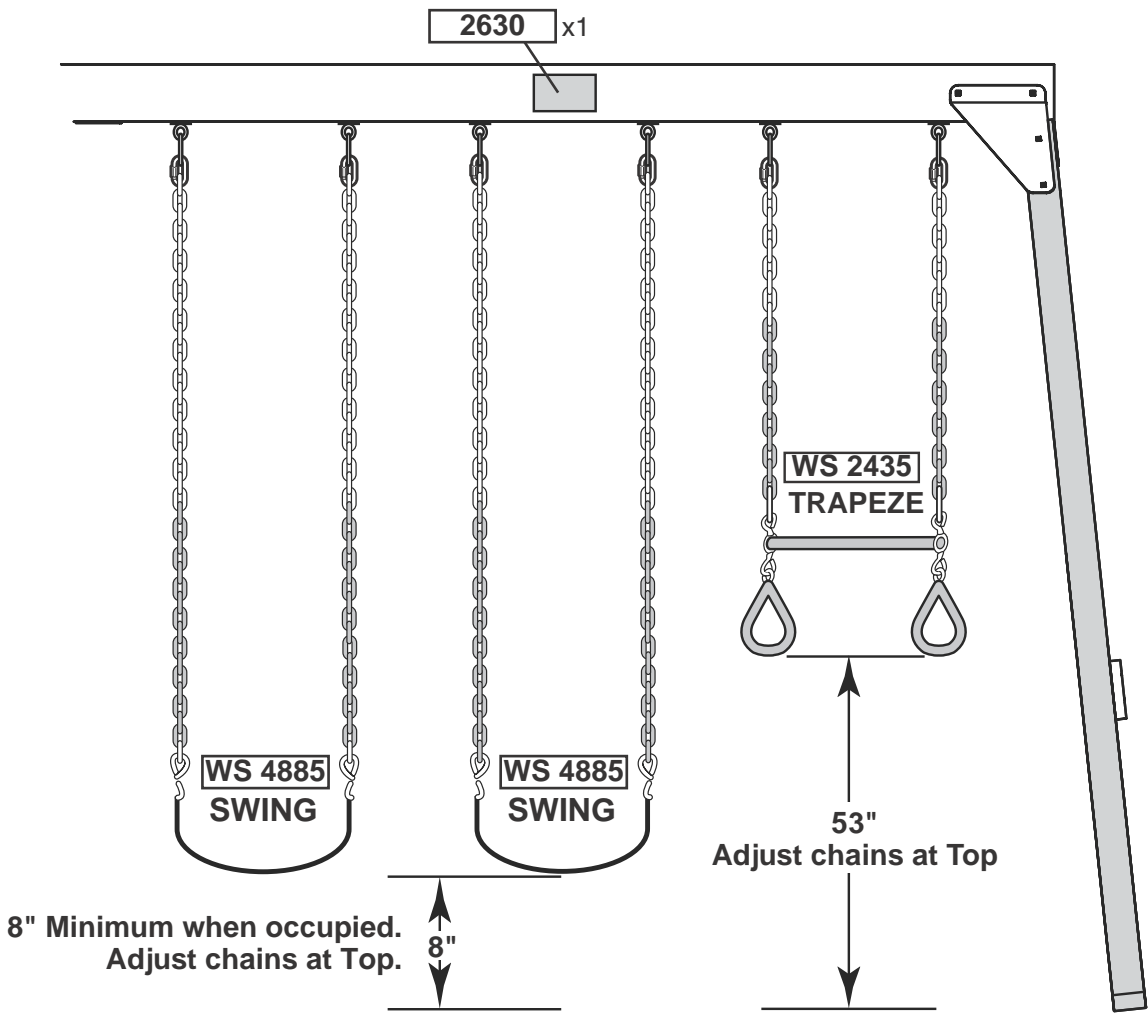


REFER TO THE WOOD ROOF MANUAL AT THIS TIME.

NOTE:

Refer to Page 3 of the Wood Roof instructions.
Begin at the SUN DECORATION assembly.

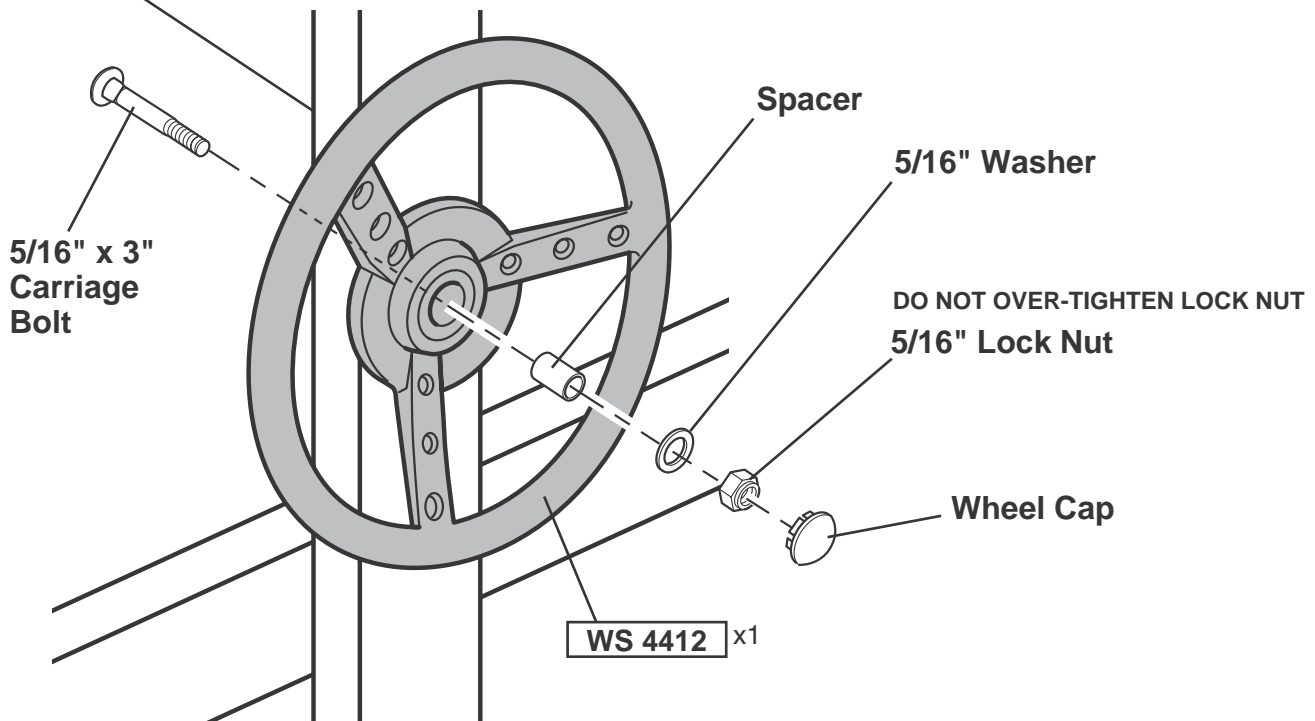
Attach Playset Plaque using one 1" philips head screw (provided) at each corner of plaque.



ACCESSORIES

STEERING WHEEL

Install WS 4412 above or below swing beam or on fort rail.

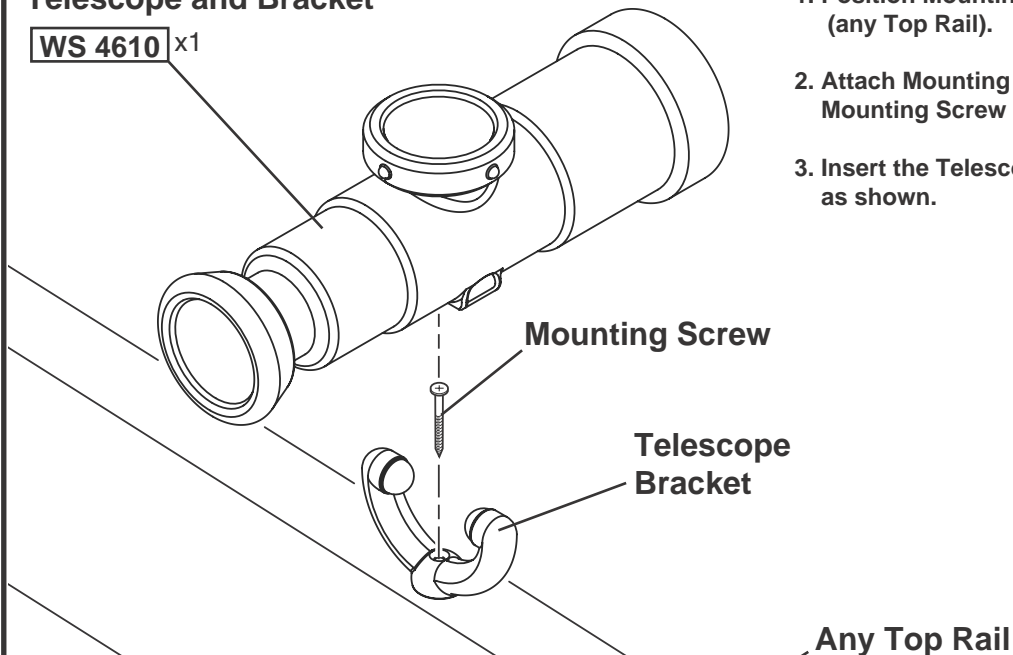


ACCESSORIES

TELESCOPE

Telescope and Bracket

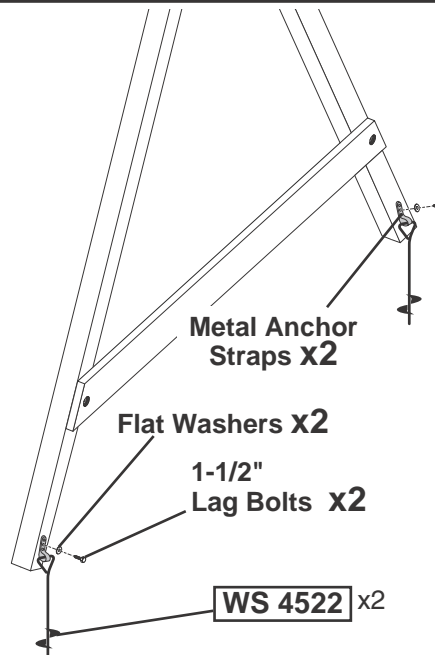
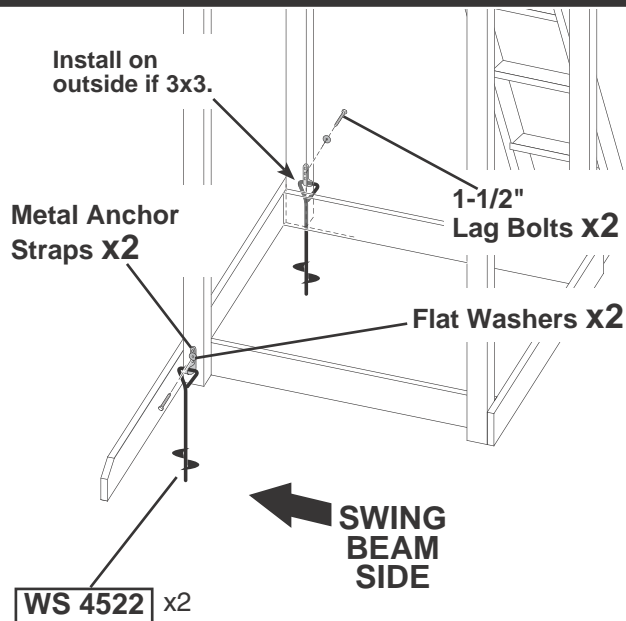
WS 4610 x1



1. Position Mounting Bracket in desired location (any Top Rail).
2. Attach Mounting Bracket to Top Rail using the Mounting Screw provided.
3. Insert the Telescope into the Mounting Bracket as shown.

FORT

STAKES

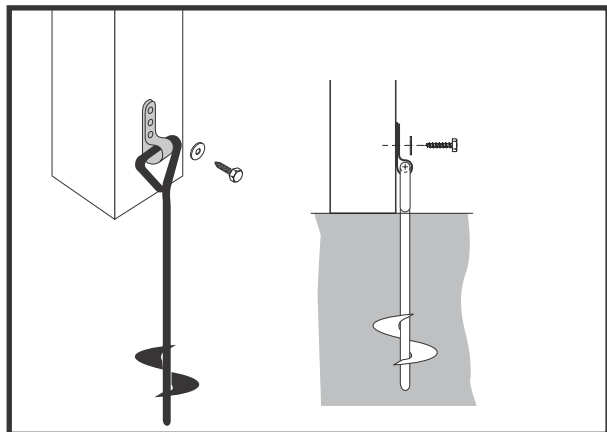


Install stakes into 3 x 3" uprights.
Locate stakes as shown.

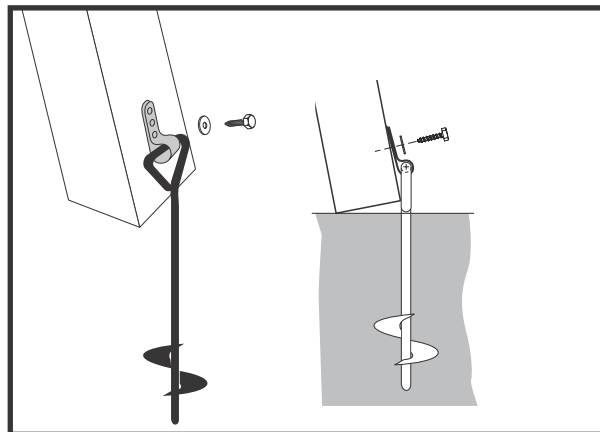
Make sure all base pieces and uprights are resting flat on the ground.

It may be necessary to loosen the soil beneath Playset to make everything level.

TOWER UPRIGHT

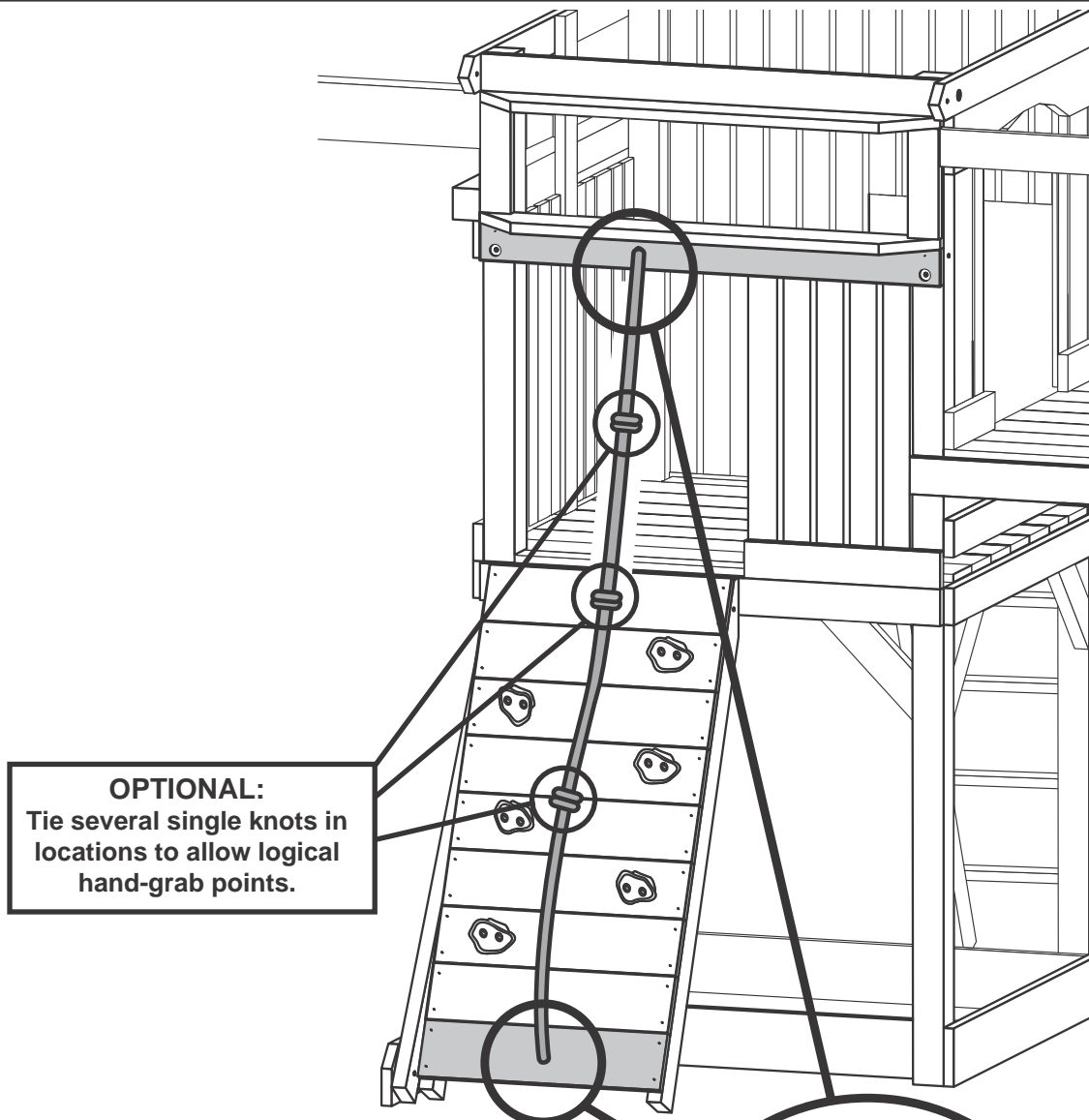


A FRAME



Instructions for anchoring your playset product to the ground.

1. Determine the final location of your playset product.
2. Place the Anchor Stakes adjacent to the base and near the corners of your playset product (at the bottom of the legs on swing sets) and twist the auger-style Anchor Stakes into the ground until only the loop is exposed.
3. Place the metal strap through the loop of the Anchor Stake and secure it to the unit with a lag screw and washer as shown.
Note: Attach the strap to the unit with as little play as possible using whatever holes in the strap work the best.



Step 1

Feed top of Climbing Rope through front of Upper Rail (2526-CC) and tie a double knot on the back side (Fig. 1).

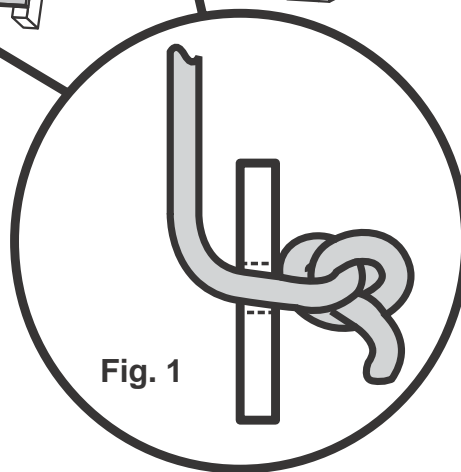
Step 2

Feed lower end of Climbing Rope through hole in Rock Wall board (2527-CC) and tie a double knot on the back side (Fig. 1).

For Safety, insure that the rope is tight enough so that it can not be looped back on itself.

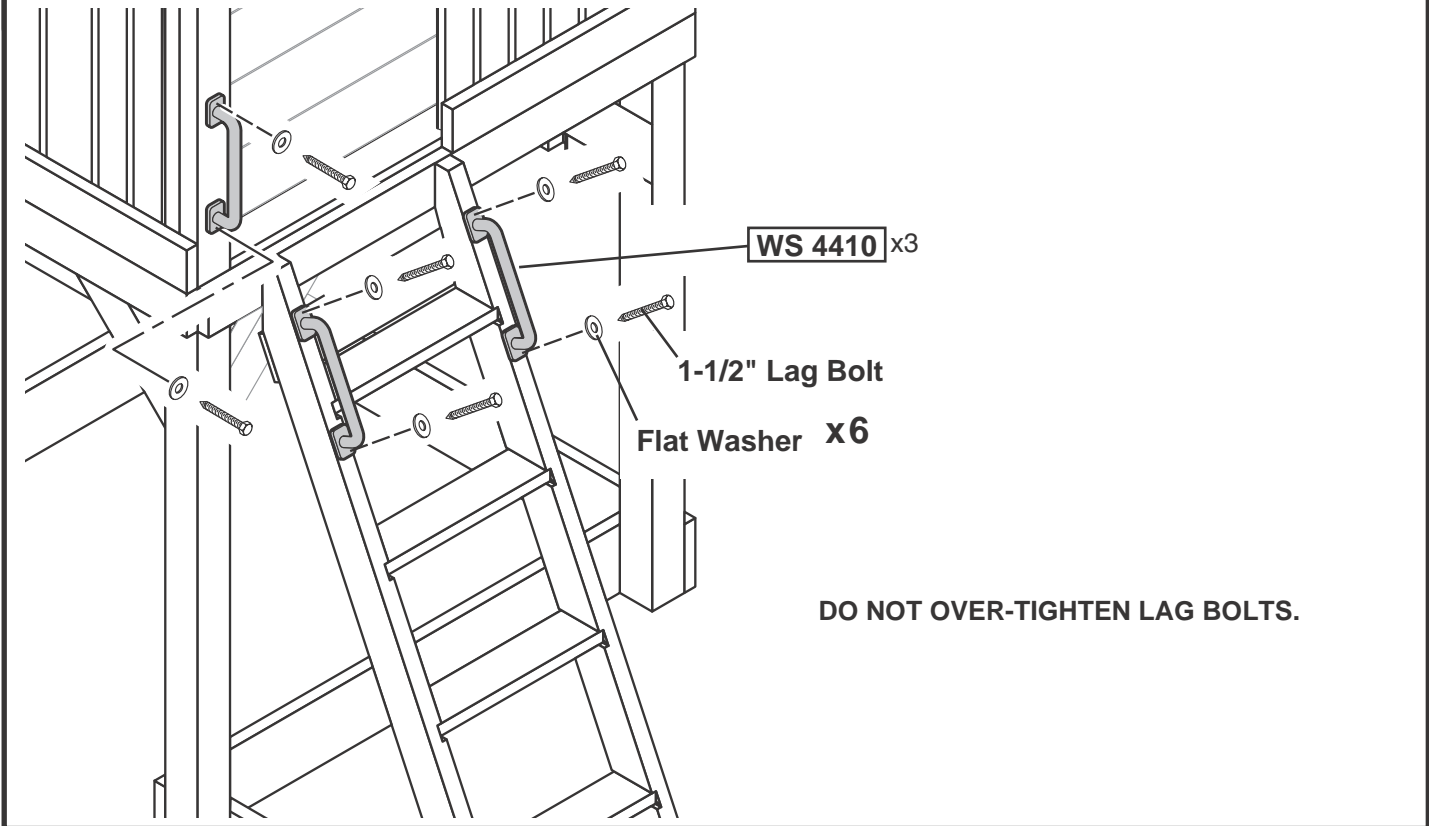
Keep tying double knots at the bottom end of rope until there is no remaining loose rope.

Do not cut ends of rope.



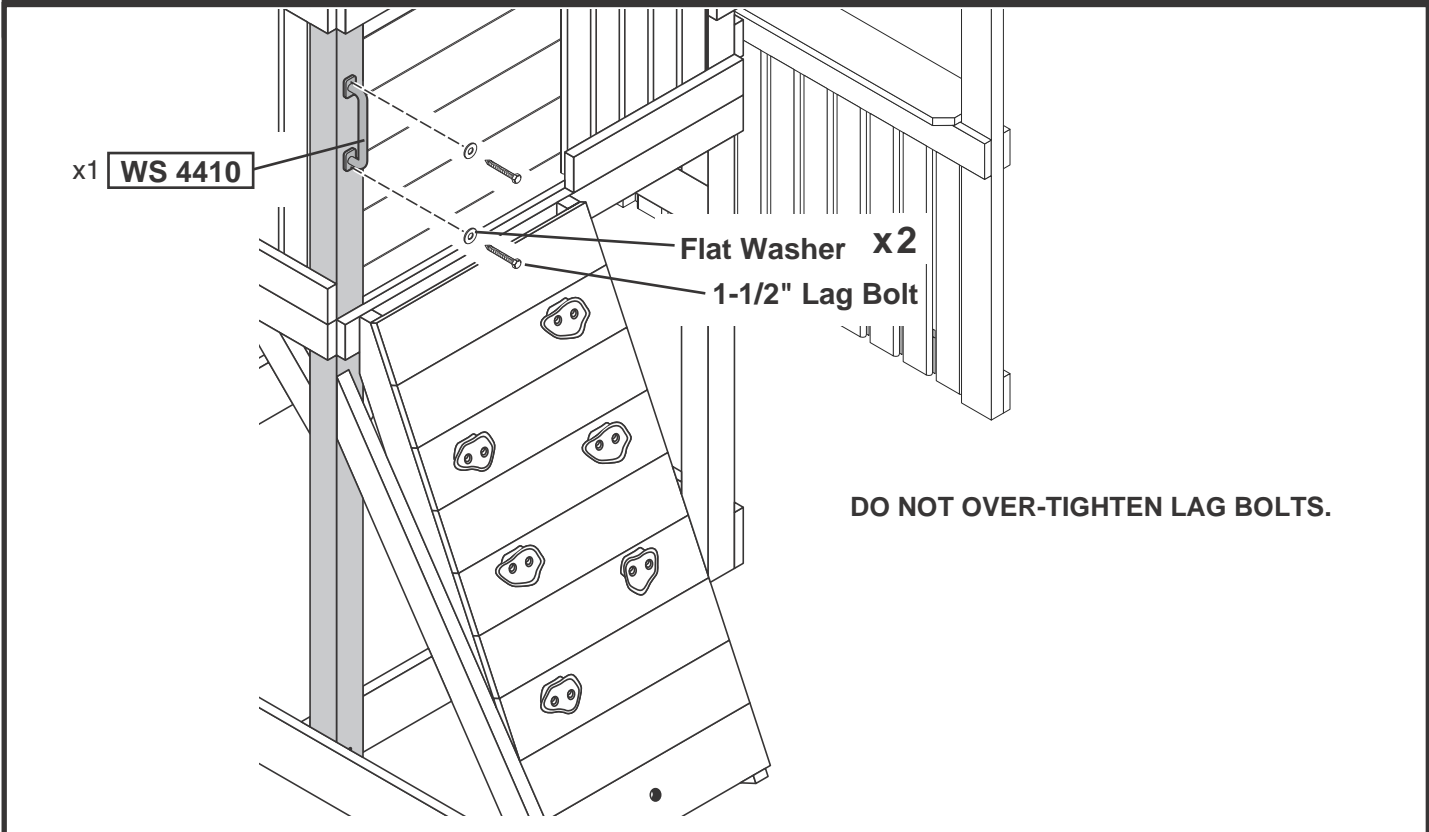
ACCESSORIES

SAFETY HANDLES - STEP LADDER

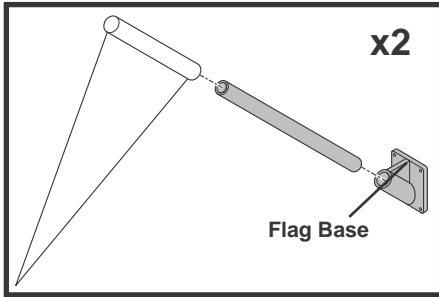


ACCESSORIES

SAFETY HANDLE - ROCK WALL

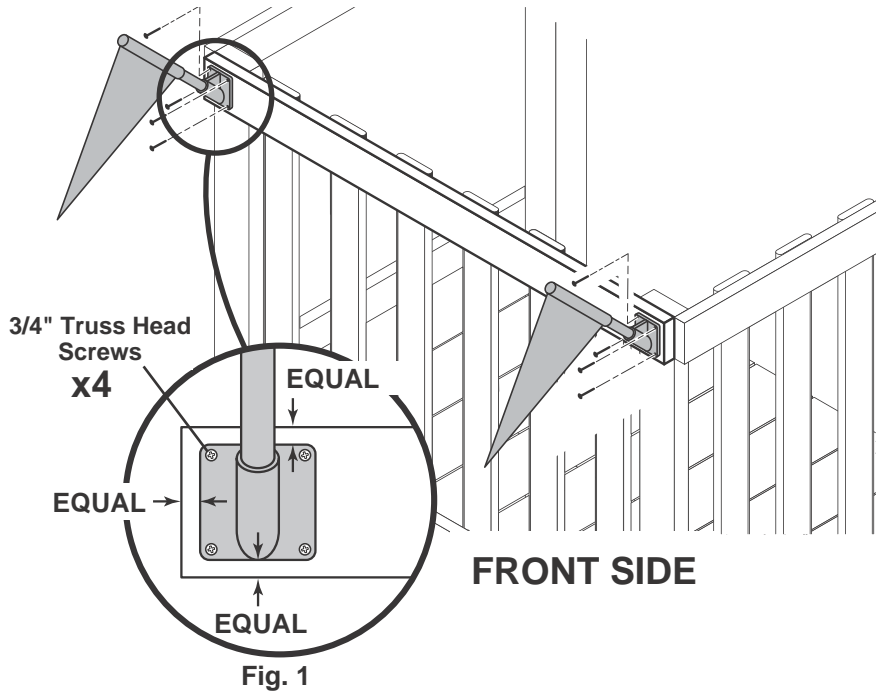


1 Assemble flag as shown.



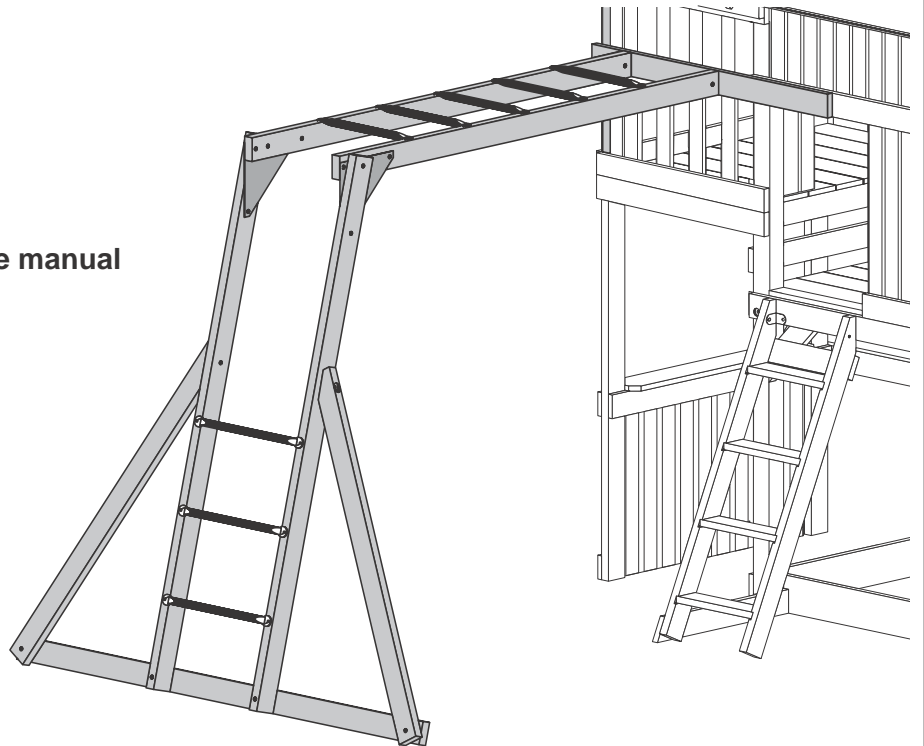
2 Locate flag base EQUALLY from top, bottom and end of upper top rail (Fig. 1).

3 Attach Flag with 4 screws.



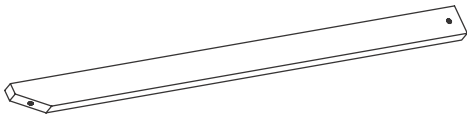
BEGIN ASSEMBLING AND INSTALLING MONKEY BARS HERE.

NOTE:
Use this manual instead of the manual
in the Monkey Bar box.



MONKEY BAR PARTS LIST

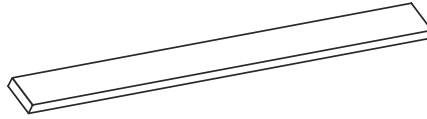
End Ladder Angle Brace



1-1/2 x 3-1/2 x 57"

1016-CC x2

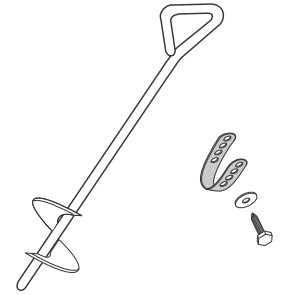
Top Ladder Mount



1 x 3-1/2 x 47-1/8"

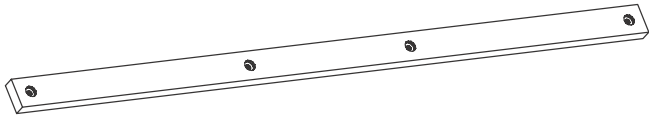
2518-CC x2

Anchor



WS 4522 x2

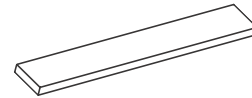
End Ladder Bottom Support



1-1/2 x 3-1/2 x 80-1/2"

1019-CC x1

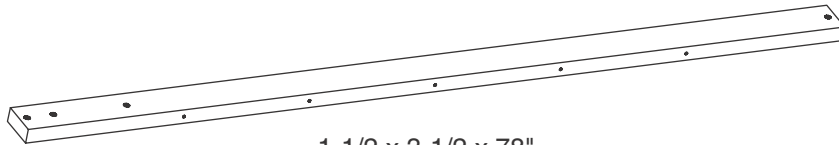
Top Ladder Terrace Brace



1-1/2 x 2-1/2 x 24"

2490-CC x1

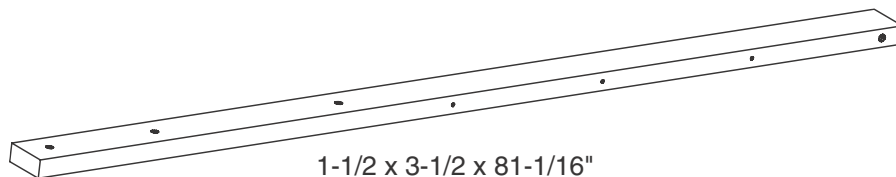
Top Ladder Rail Support



1-1/2 x 3-1/2 x 78"

2154-CC x2

End Ladder Rail Support



1-1/2 x 3-1/2 x 81-1/16"

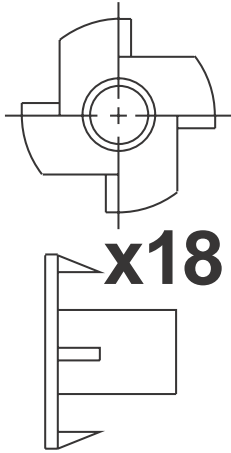
2155-CC x2

MONKEY BAR HARDWARE

- NOTICE -

Depending on your playset model, you will have extra hardware left over.

3/8" T NUT



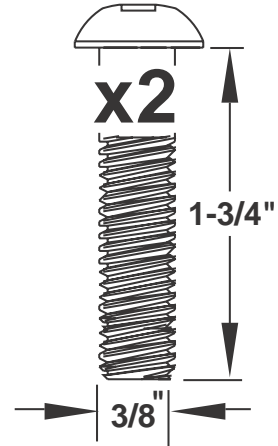
x18

3/8" FLAT WASHER



x18

3/8" x 1-3/4"
BUTTON HD.
SCREW



x2

1-3/4"

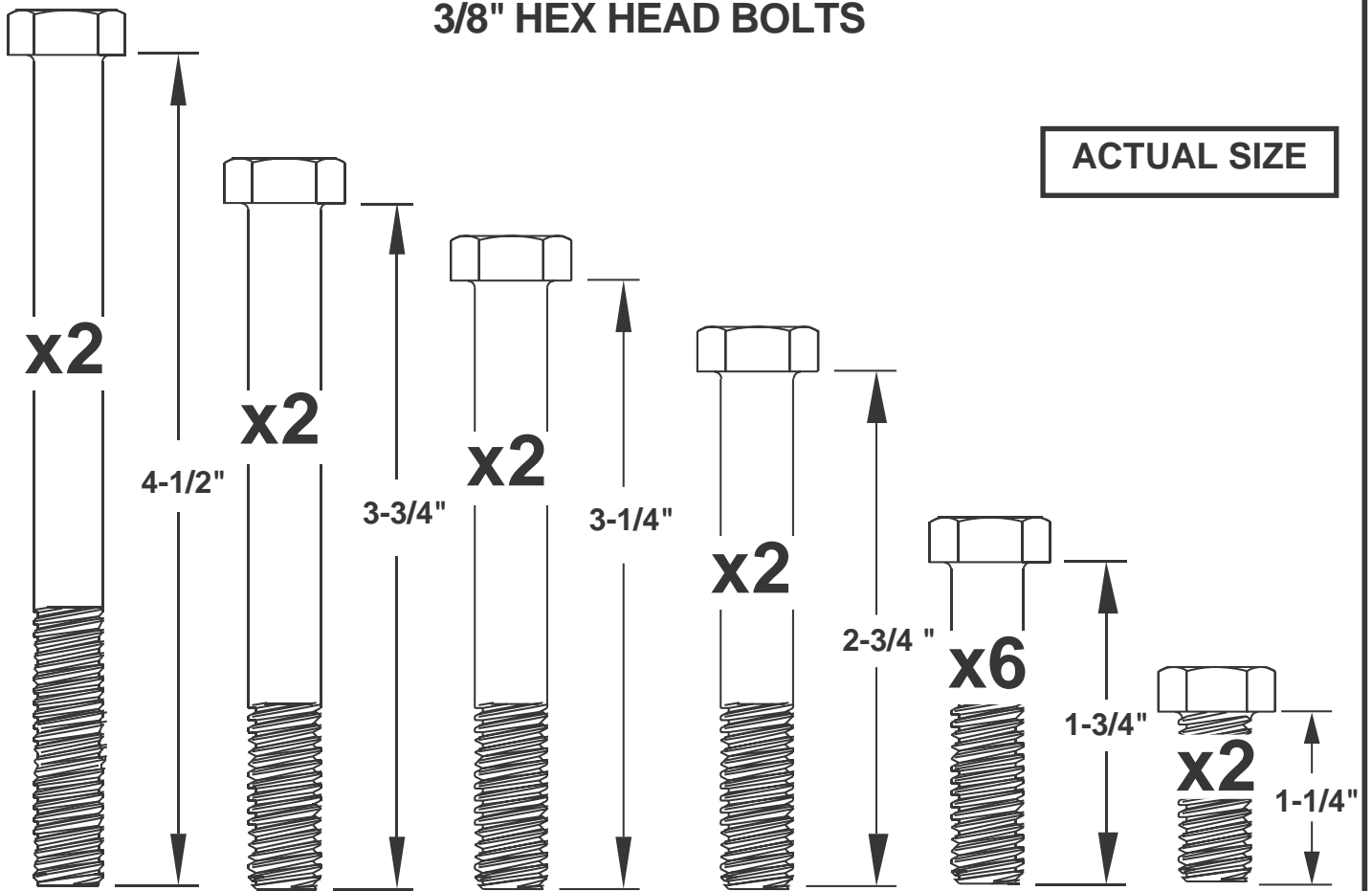
3/8"

3/8" LOCK WASHER



x18

3/8" HEX HEAD BOLTS



ACTUAL SIZE

x2

4-1/2"

x2

3-3/4"

x2

3-1/4"

x2

2-3/4"

x6

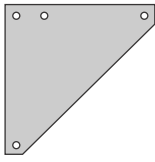
1-3/4"

x2

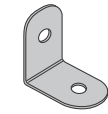
1-1/4"

MONKEY BAR METAL PARTS

Flat Metal Bracket



2023 x2



L-Bracket

2084 x2

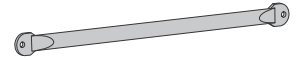
18-1/2"



Top Rung

PF 4972 x5

21-1/2"



End Rung

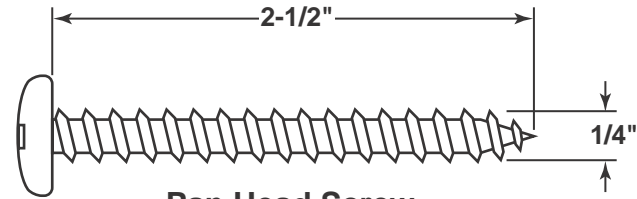
PF 3297 x3

FASTENERS FOR METAL RUNGS



Lock Washer

x16



x16

Pan Head Screw

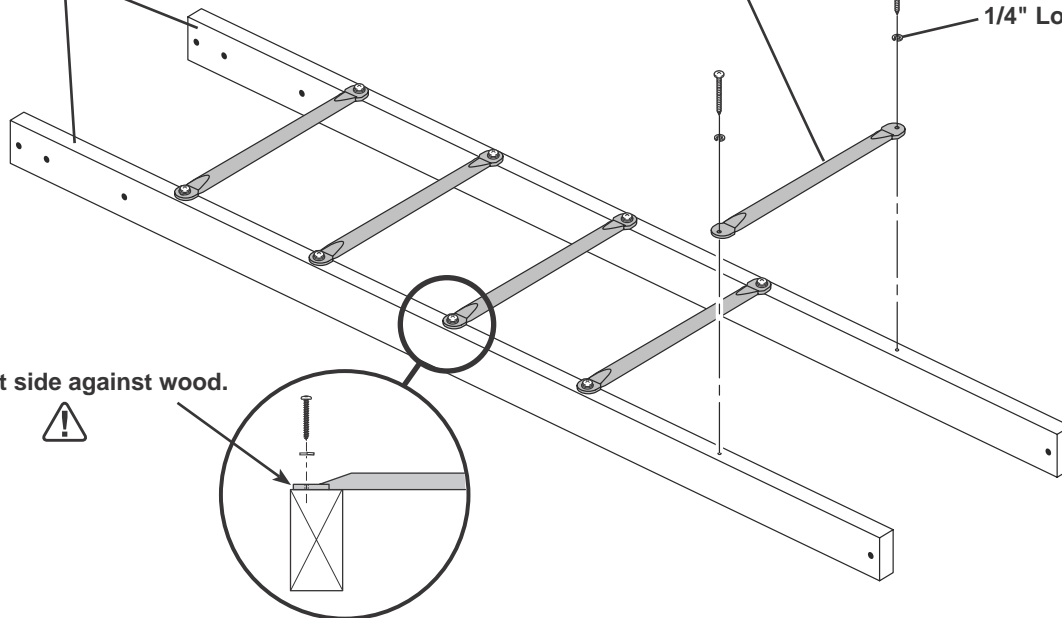
MONKEY BAR

TOP RAIL

1-1/2 x 3-1/2 x 78"
2154-CC x2

1" x 18-1/2"
PF 4972 x5

2-1/2" Pan Head Screw
1/4" Lock Washer
x10

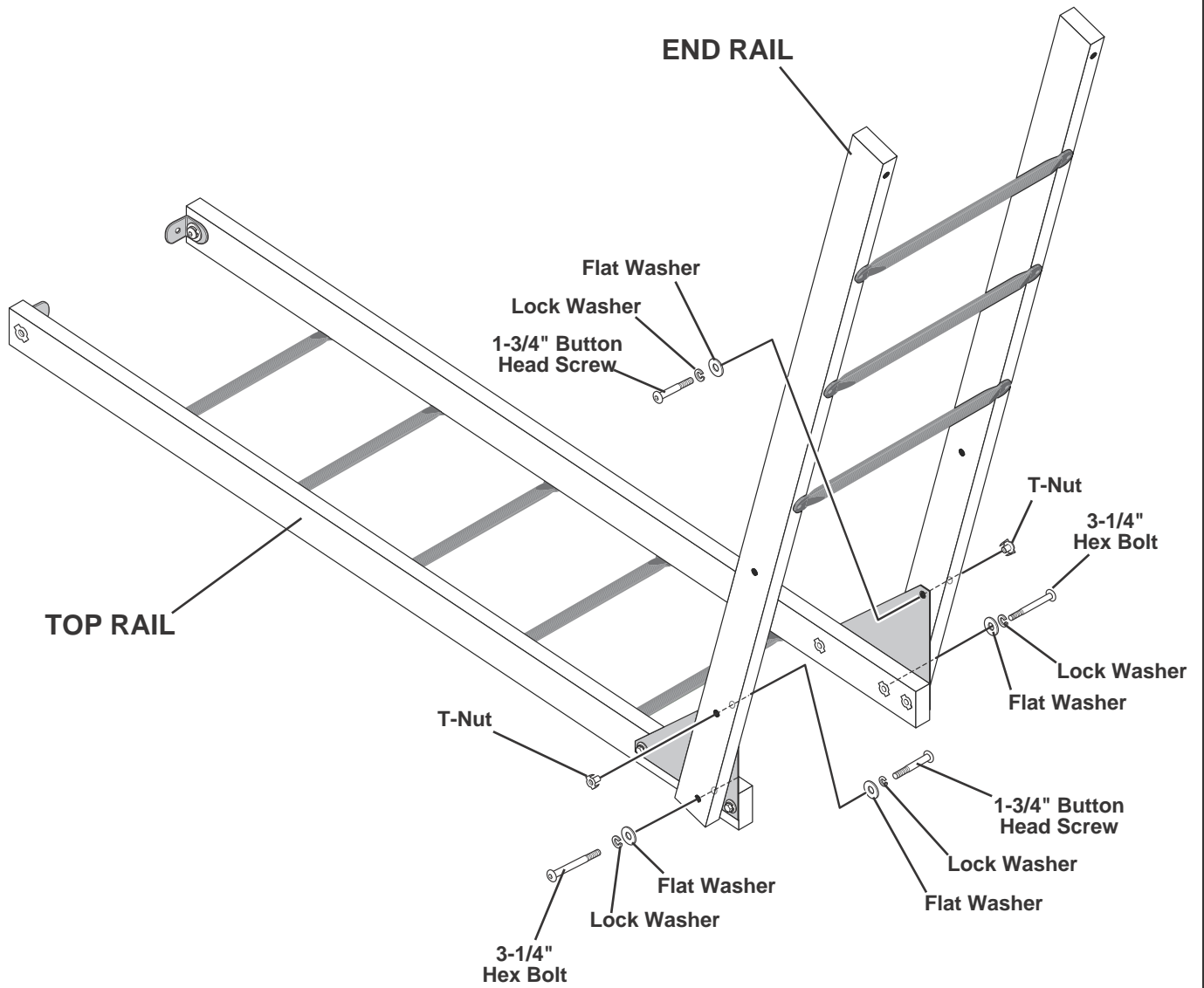


Flat side against wood.



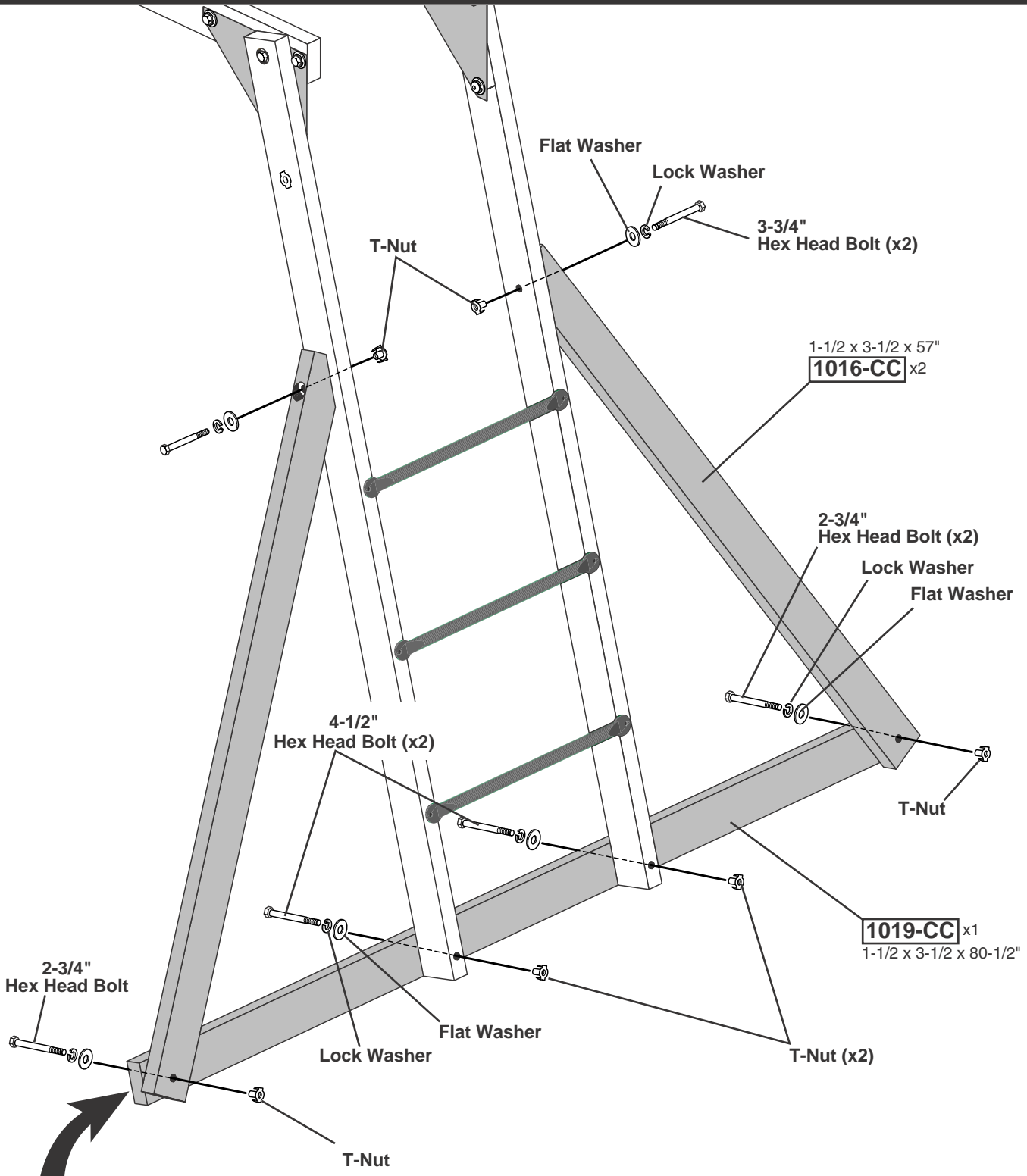
MONKEY BAR

END LADDER / TOP LADDER



MONKEY BAR

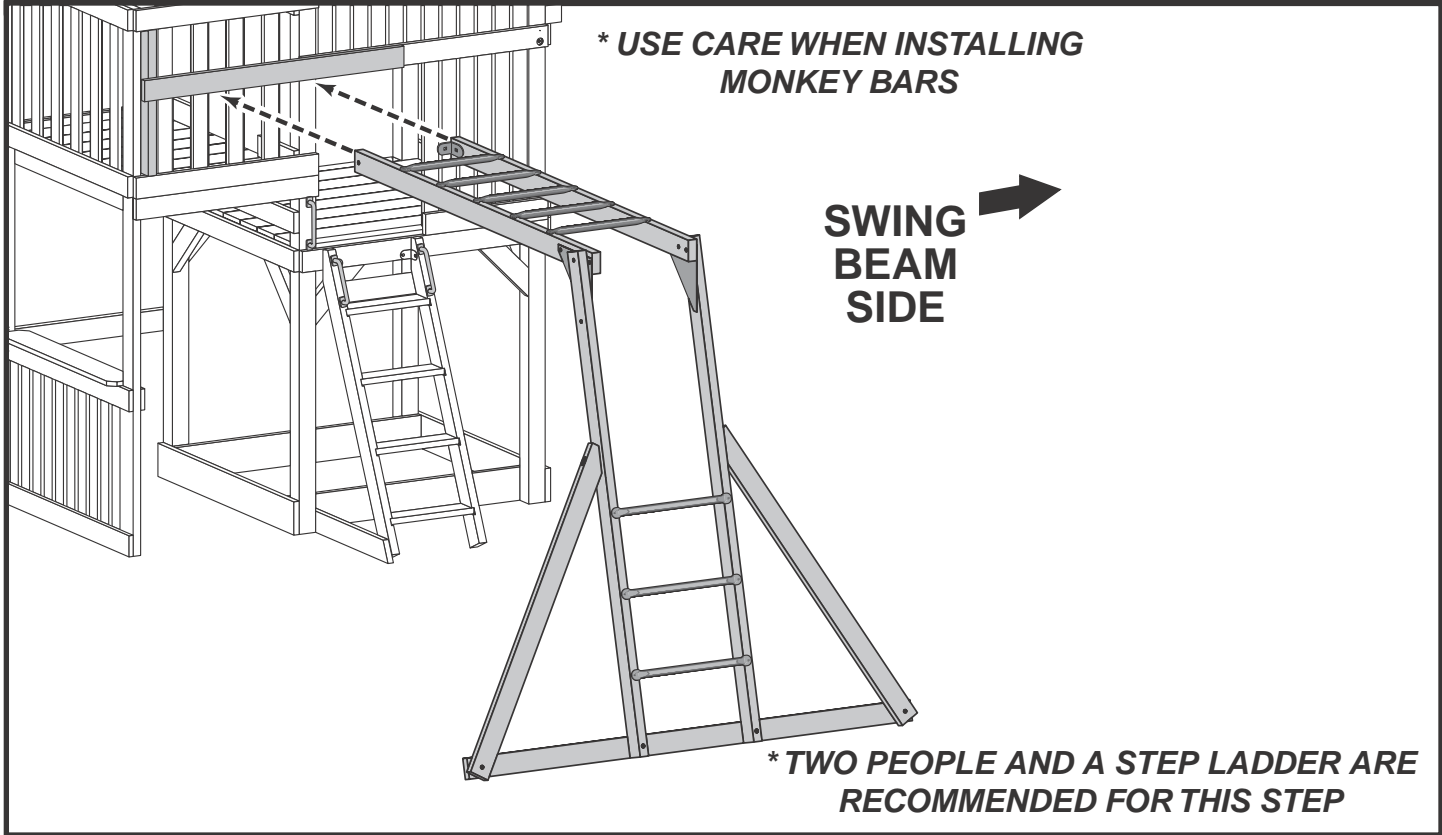
ANGLE BRACES / BOTTOM SUPPORT



NOTE:
Counter-bore of
1019-CC toward
rear side of ladder.

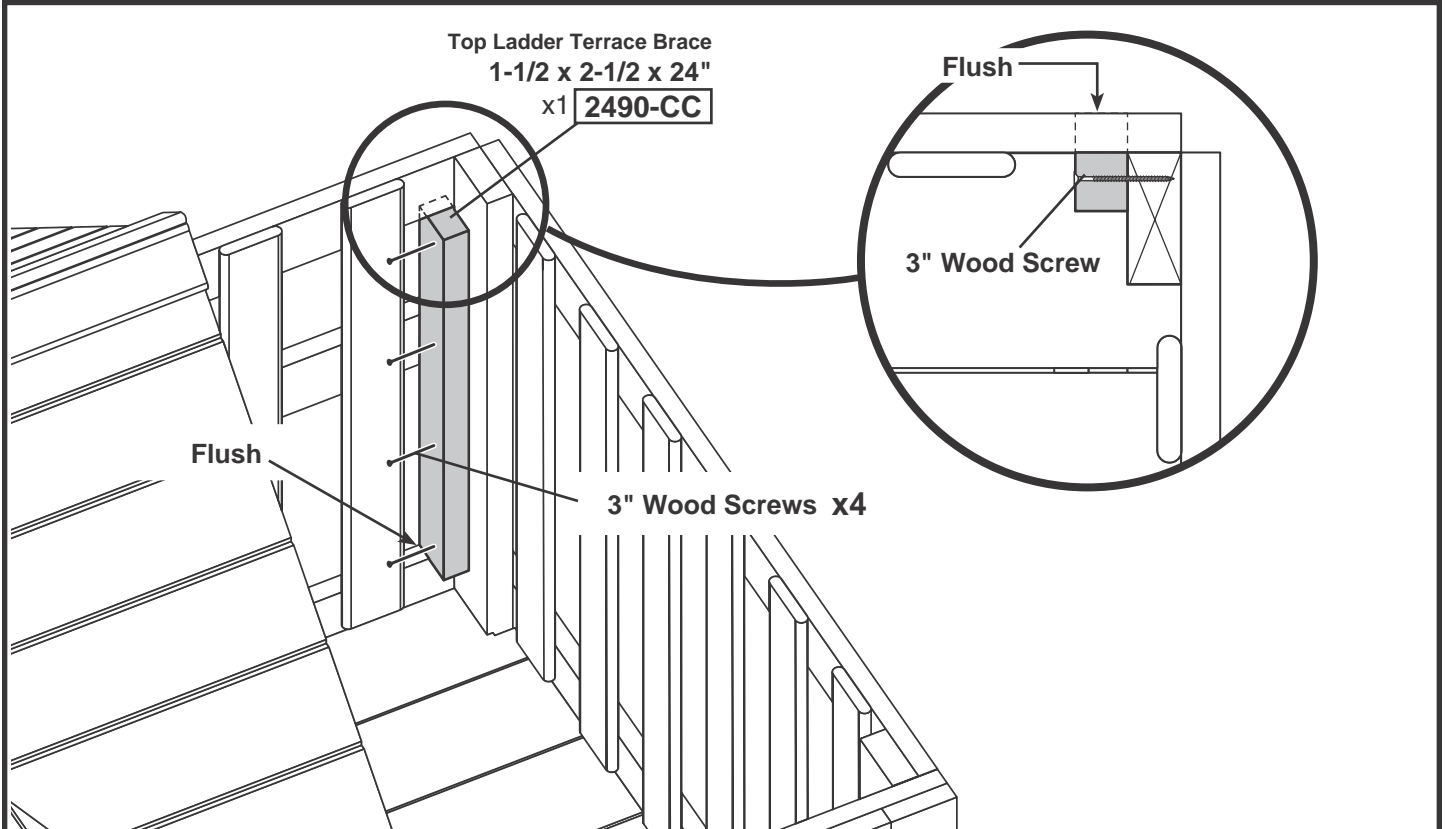
MONKEY BAR

INSTALL POSITION



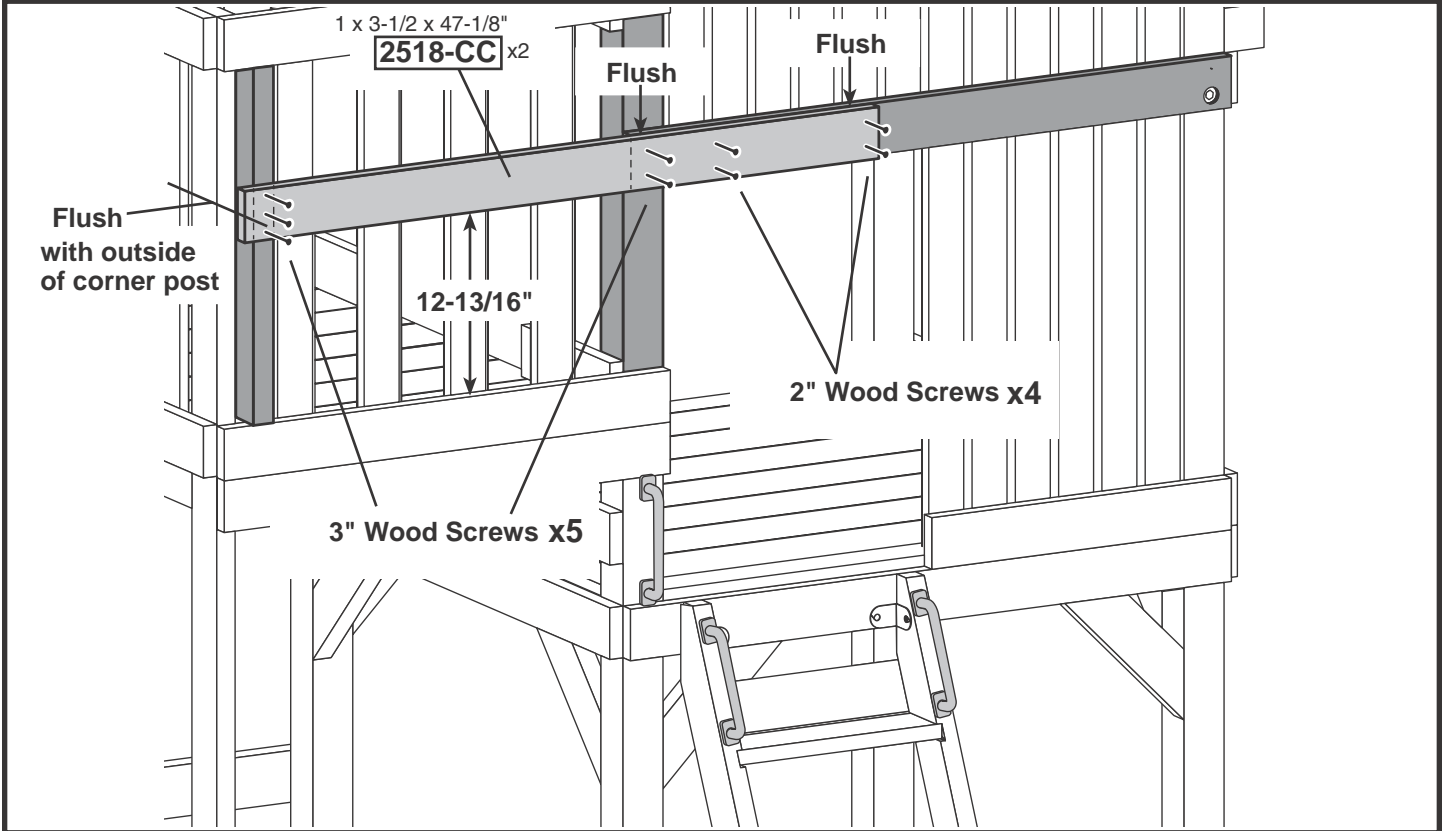
MONKEY BAR

INSTALL - STEP 1



MONKEY BAR

INSTALL - STEP 2

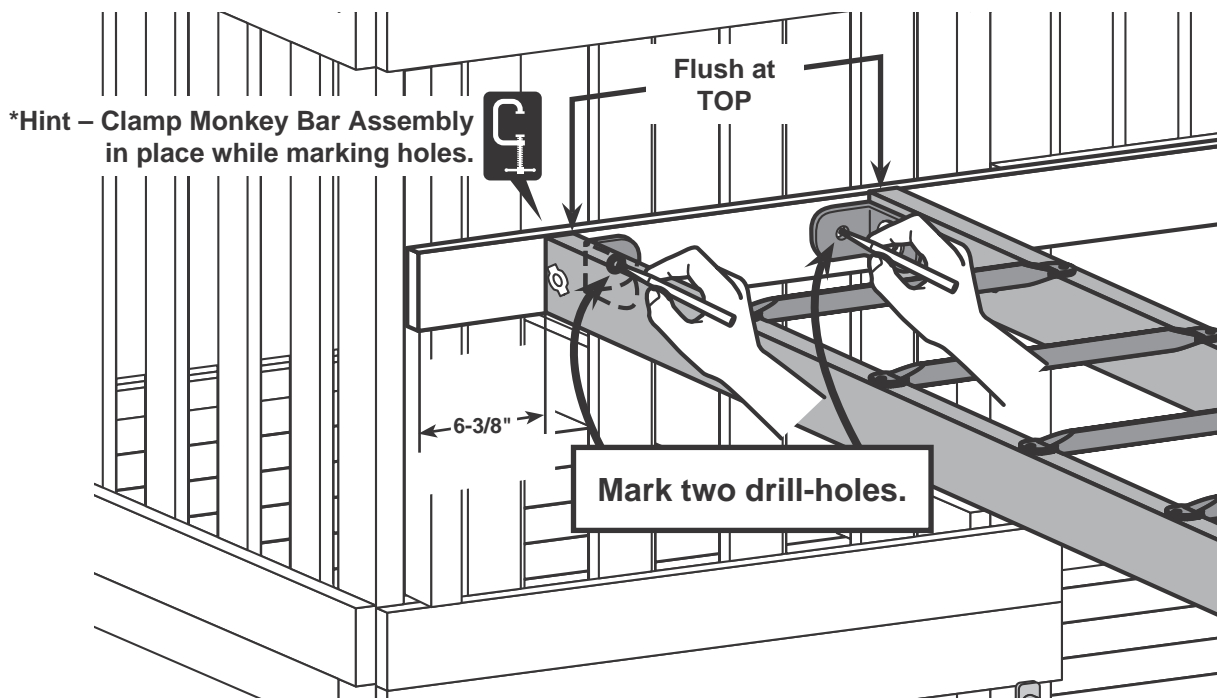


MONKEY BAR

INSTALL - STEP 3



REMOVE BALUSTERS AS NEEDED BEFORE DRILLING.



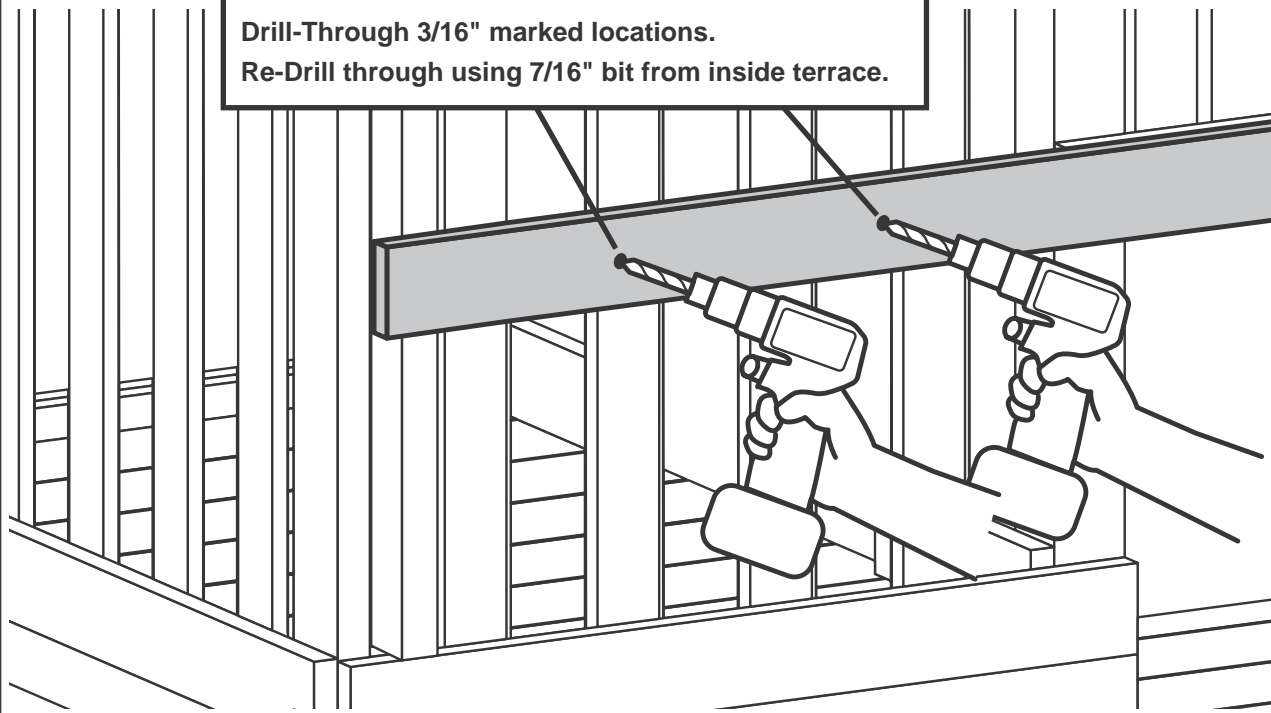
MONKEY BAR

INSTALL - STEP 4



REMOVE BALUSTERS AS NEEDED BEFORE DRILLING.

Drill-Through 3/16" marked locations.
Re-Drill through using 7/16" bit from inside terrace.

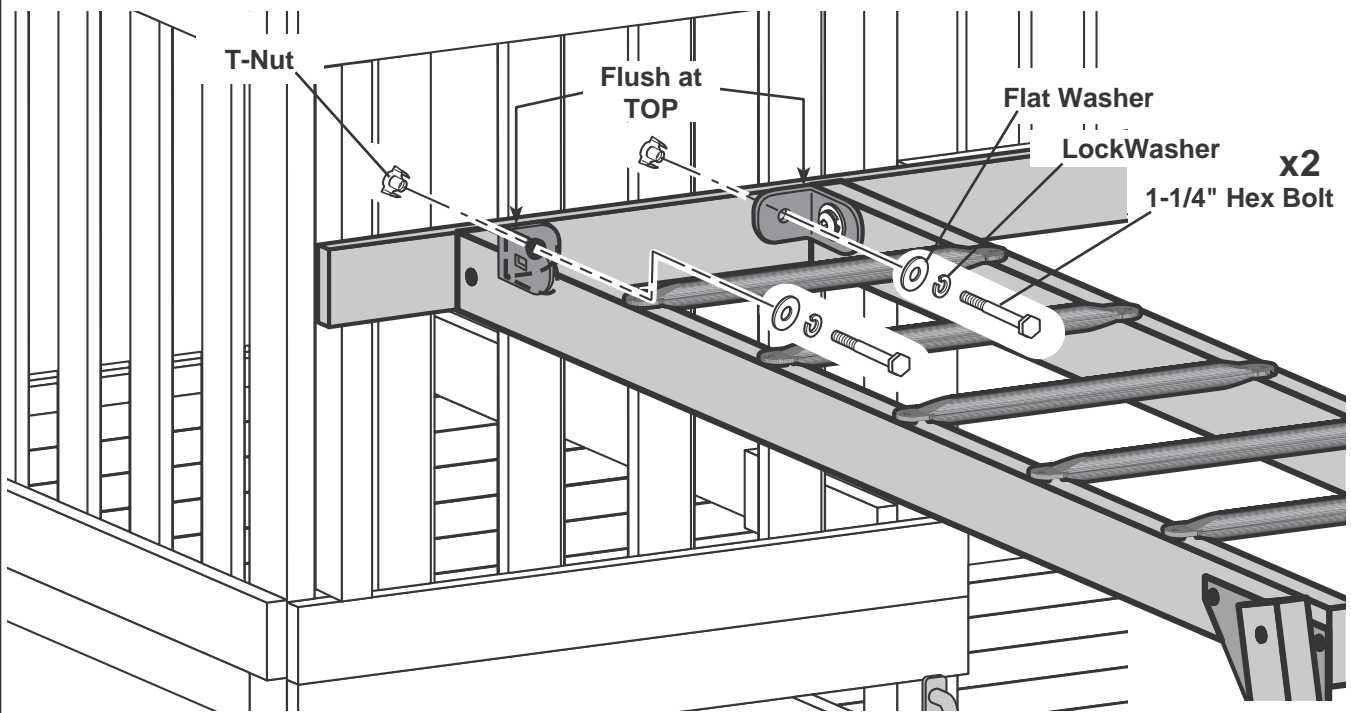


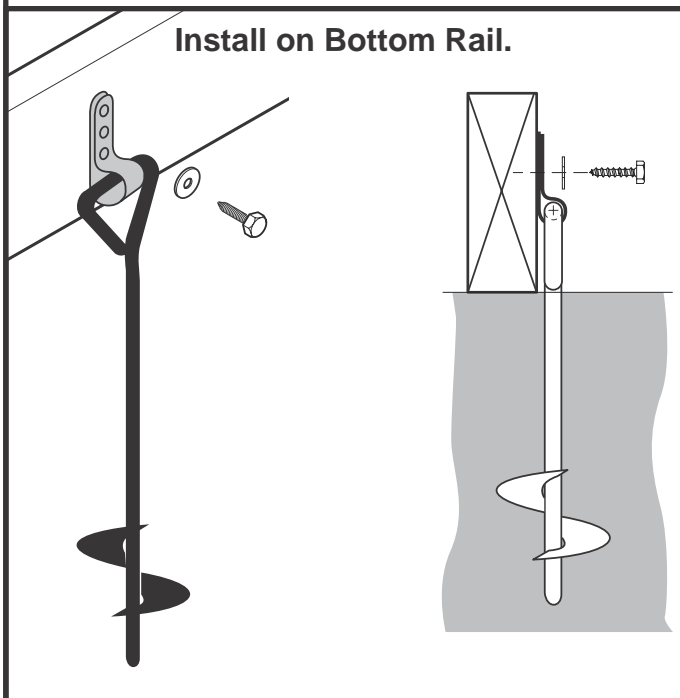
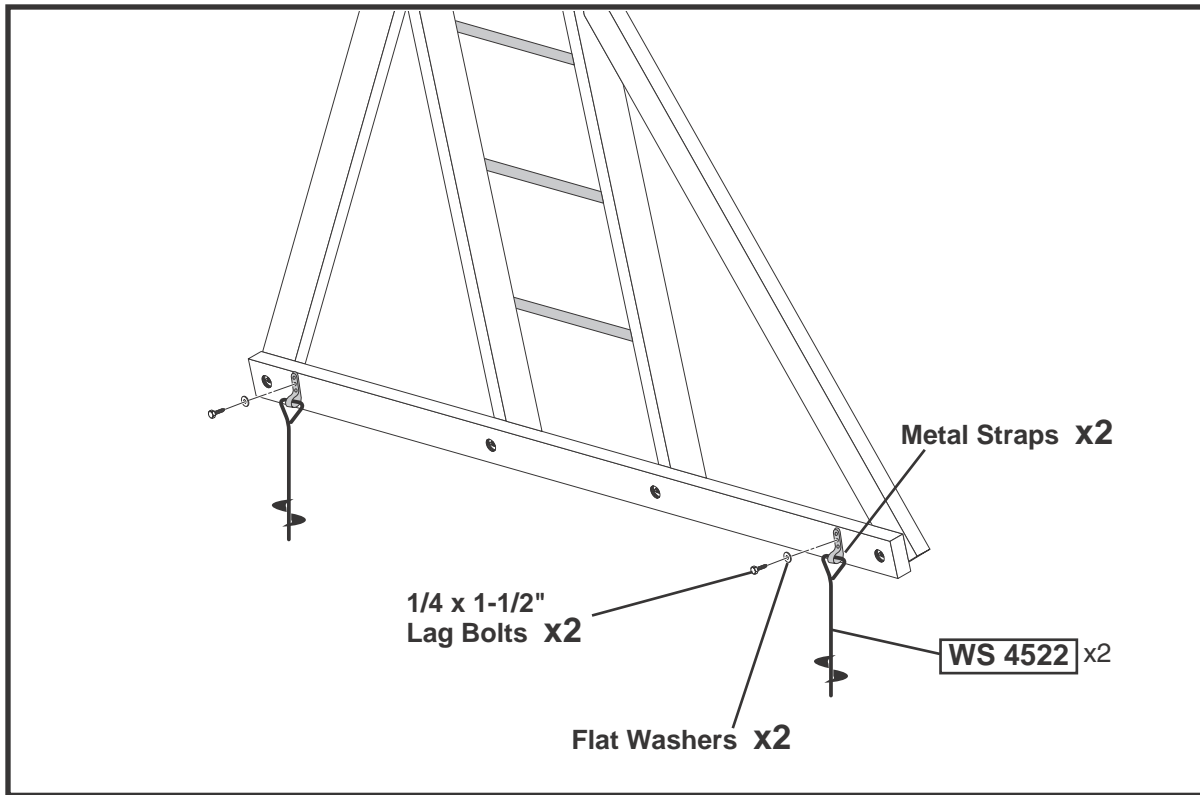
MONKEY BAR

INSTALL - STEP 5



RE-INSTALL BALUSTER AFTER INSTALLING T-NUTS.





Instructions for anchoring your playset product to the ground.

1. Determine the final location of your playset product.
2. Place the Anchor Stakes adjacent to the base and near the corners of your playset product (at the bottom of the legs on swing sets) and twist the auger-style Anchor Stakes into the ground until only the loop is exposed.
3. Place the metal strap through the loop of the Anchor Stake and secure it to the unit with a lag screw and washer as shown.
 Note: Attach the strap to the unit with as little play as possible using whatever holes in the strap work the best.



**IF YOU HAVE THE ACTIVITY TABLE ACCESSORY OPTION
REFER TO THAT MANUAL AT THIS TIME.**





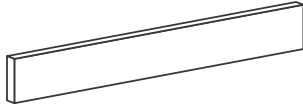

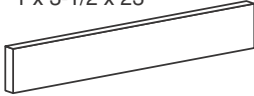


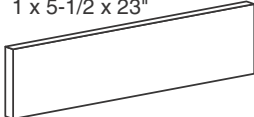
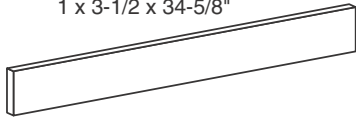



IMPORTANT!

**THESE STEPS MUST BE FOLLOWED TO ASSEMBLE THE MOUNTING FRAME
FOR THE TUBE SLIDE. THIS PROCEDURE SUPERCEDES THE INSTRUCTIONS
ORIGINALLY PACKAGED WITH THE TUBE SLIDE.**

FOLLOW THESE INSTRUCTIONS INSTEAD:

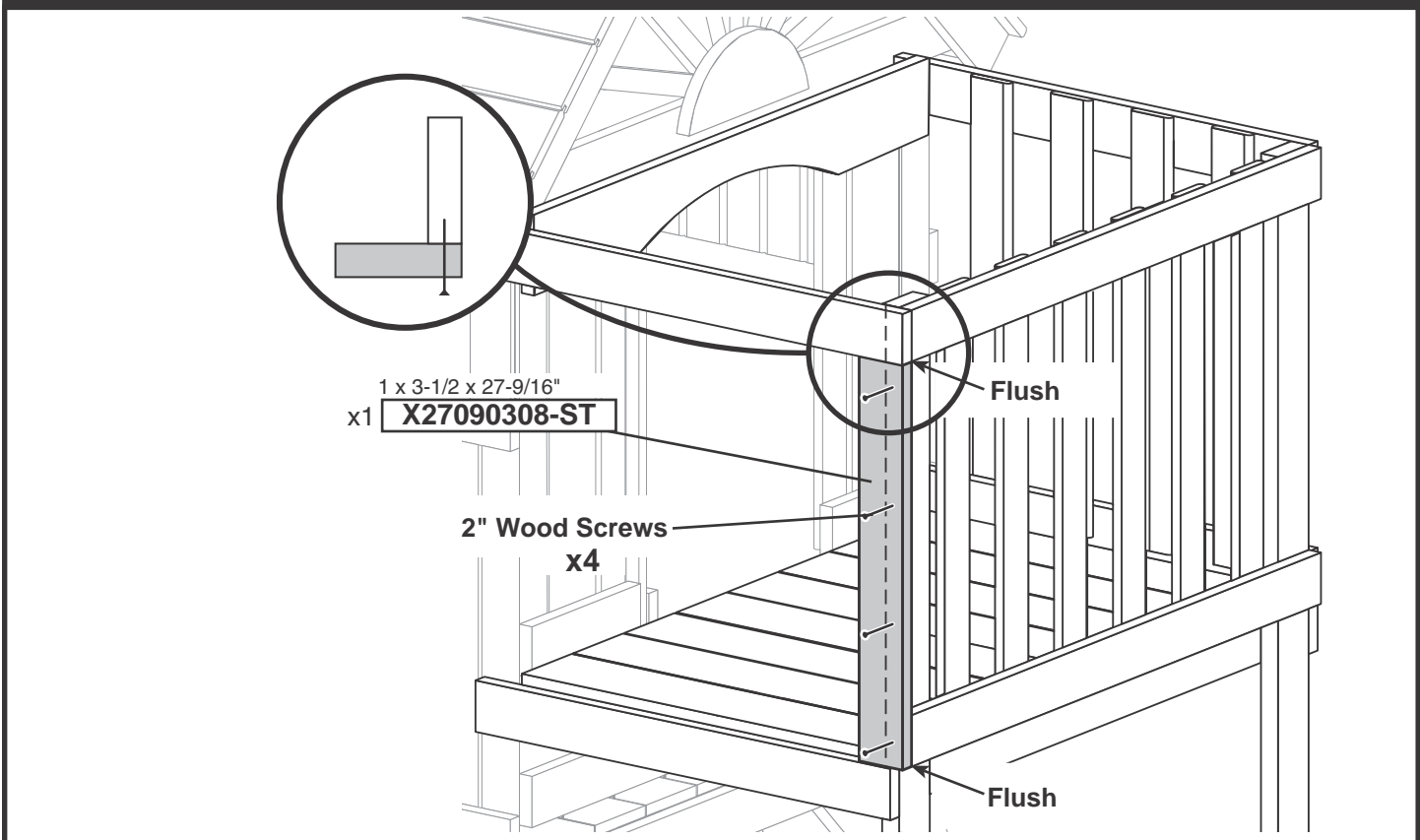
TUBE SLIDE

PARTS LIST

| | | |
|---|--|--|
| <p>1-3/8 x 3-1/2 x 8-5/16"</p>  <p>PF6145-ST x2</p> | <p>1 x 1-11/16 x 23"</p>  <p>X23000111-ST x1</p> | <p>1 x 3-1/2 x 27-9/16"</p>  <p>X27090308-ST x2</p> |
| <p>1-3/8 x 3-1/2 x 11-1/4"</p>  <p>PF6136-ST x1</p> | <p>1 x 3-1/2 x 23"</p>  <p>X23000308-ST x1</p> | <p>1-1/2 x 3-1/2 x 33-1/2"</p>  <p>X33080308-ST x1</p> |
| <p>1-3/8 x 3-1/2 x 18"</p>  <p>PF6138-ST x3</p> | <p>1 x 5-1/2 x 23"</p>  <p>X23000508-ST x1</p> | <p>1 x 3-1/2 x 34-5/8"</p>  <p>X34100308-ST x2</p> |
| <p>x36</p>  <p>1-5/8" Wood Screws</p> | <p>x4</p>  <p>3" Wood Screws</p> | |
| <p>x5</p>  <p>2" Wood Screws</p> | | |

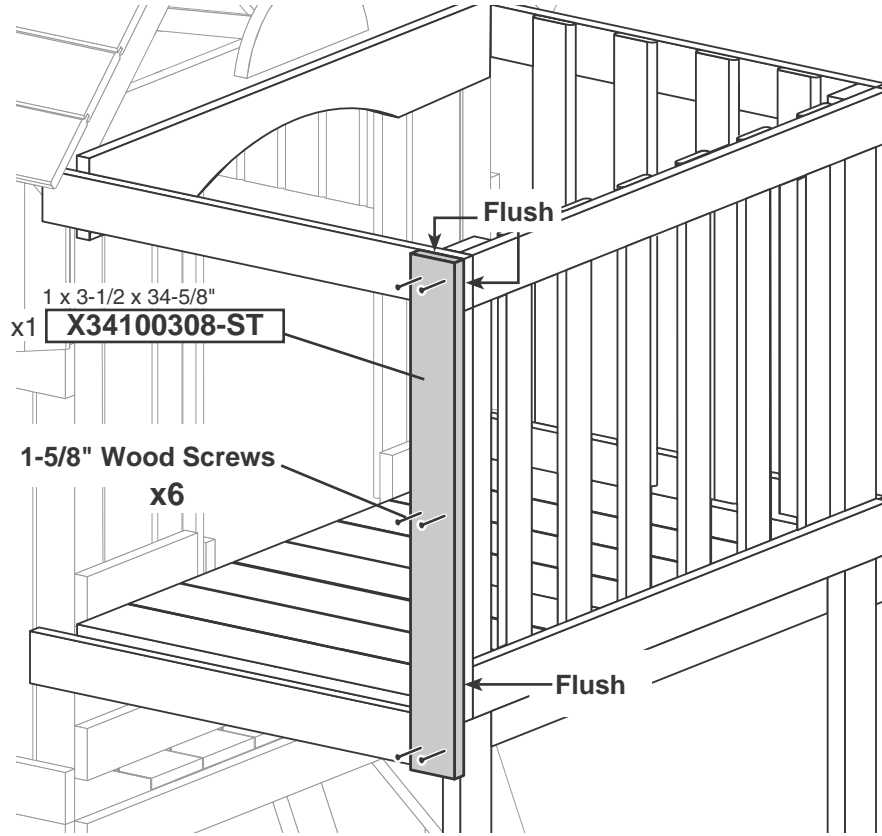
TUBE SLIDE

MOUNTING FRAME



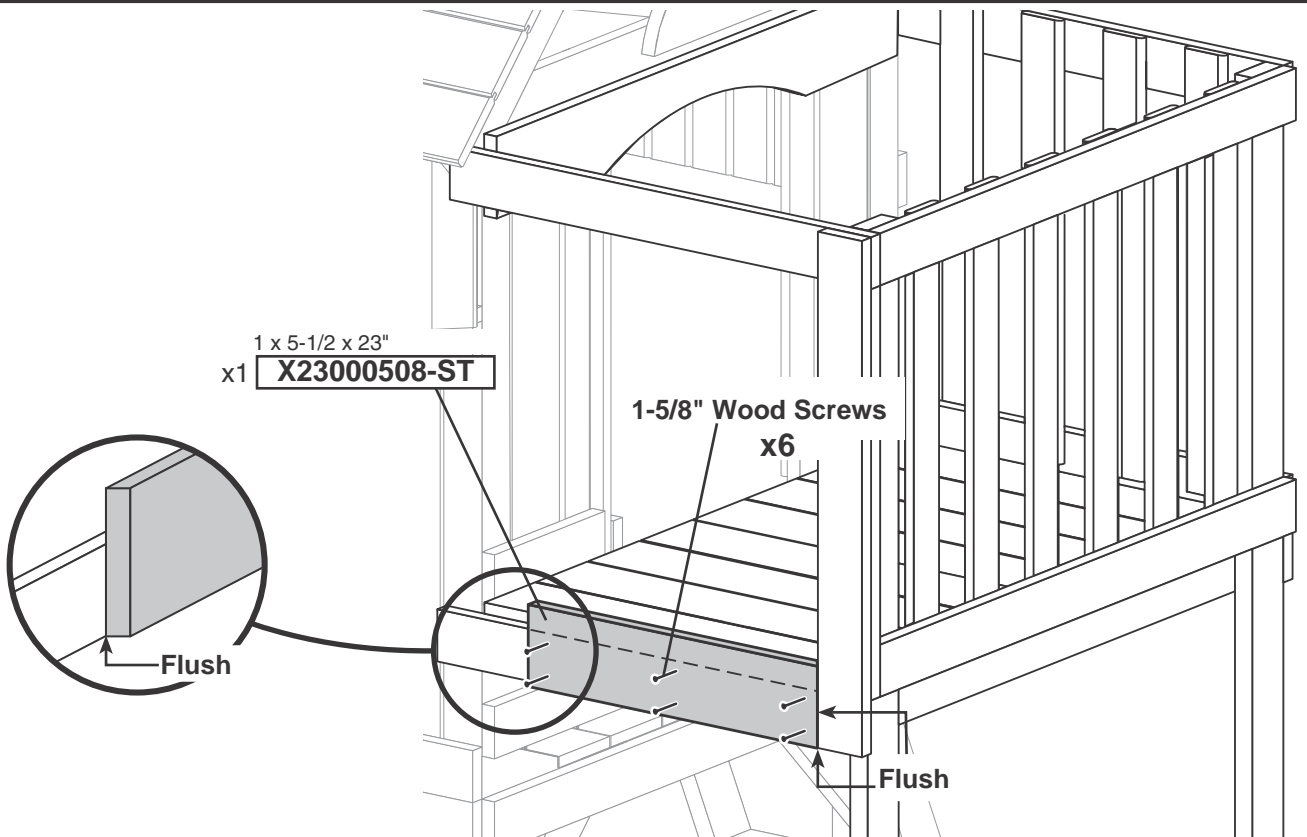
TUBE SLIDE

MOUNTING FRAME



TUBE SLIDE

MOUNTING FRAME

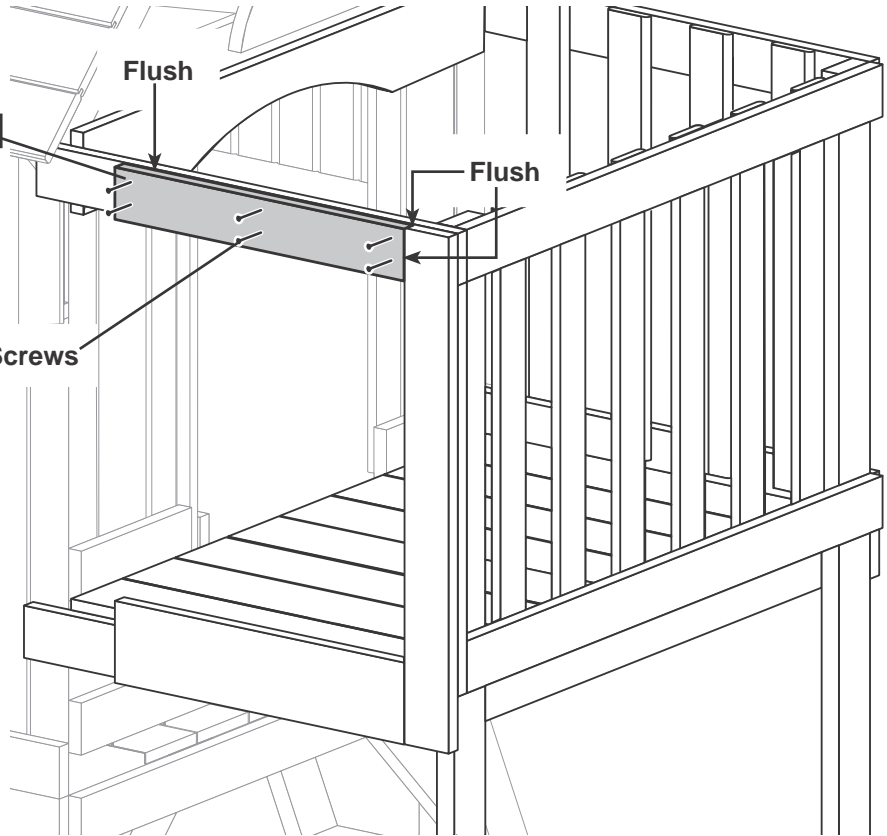


TUBE SLIDE

MOUNTING FRAME

1 x 3-1/2 x 23"
x1 **X23000308-ST**

1-5/8" Wood Screws
x6

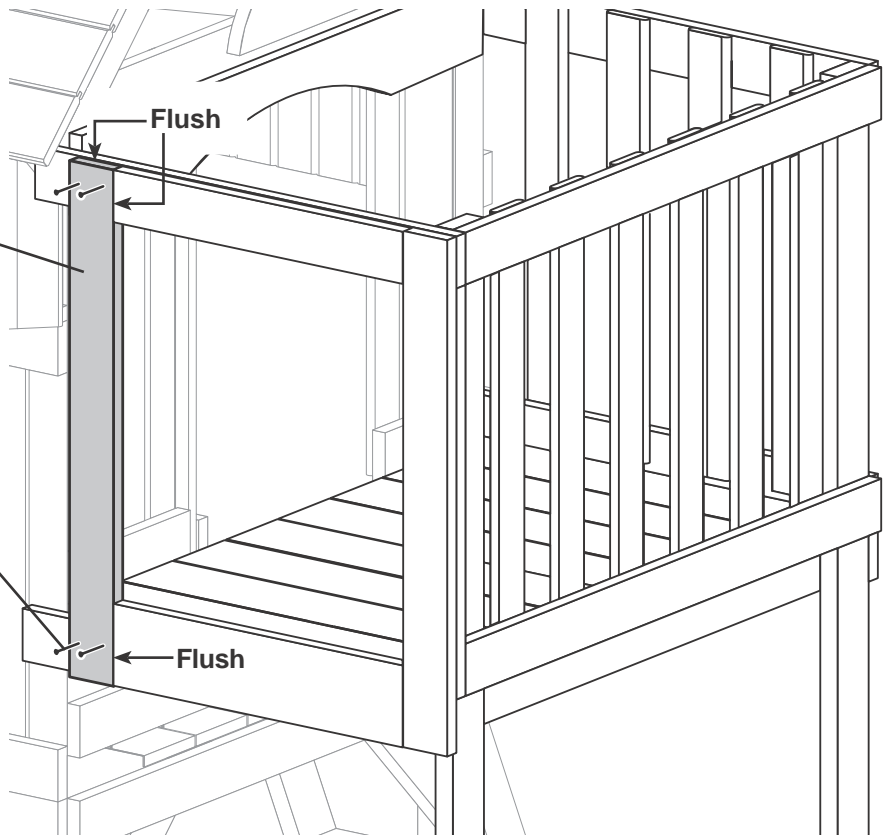


TUBE SLIDE

MOUNTING FRAME

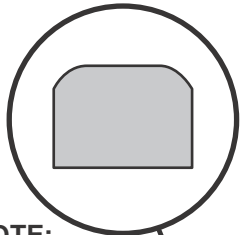
1 x 3-1/2 x 34-5/8"
x1 **X3400308-ST**

1-5/8" Wood Screws
x4

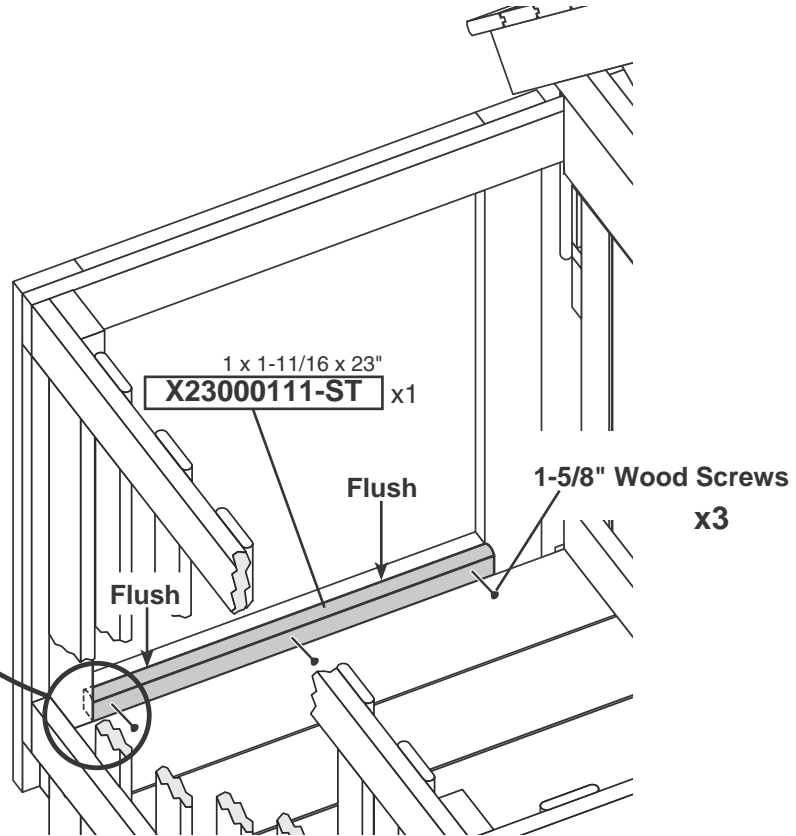


TUBE SLIDE

MOUNTING FRAME



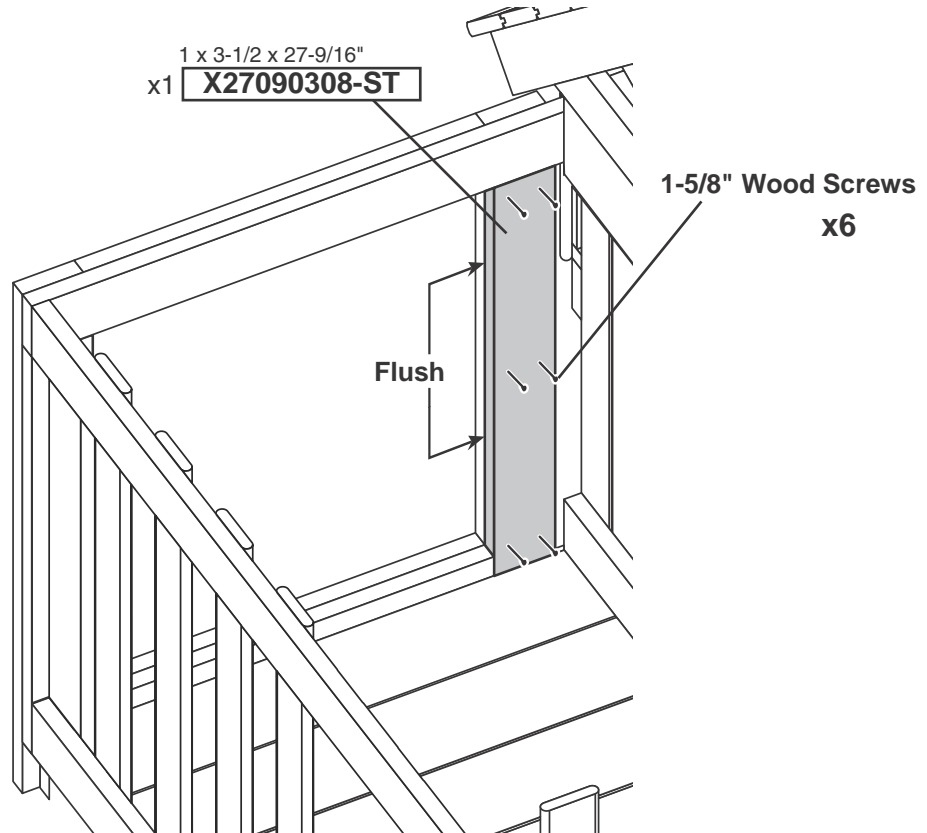
NOTE:
Round side UP



TUBE SLIDE

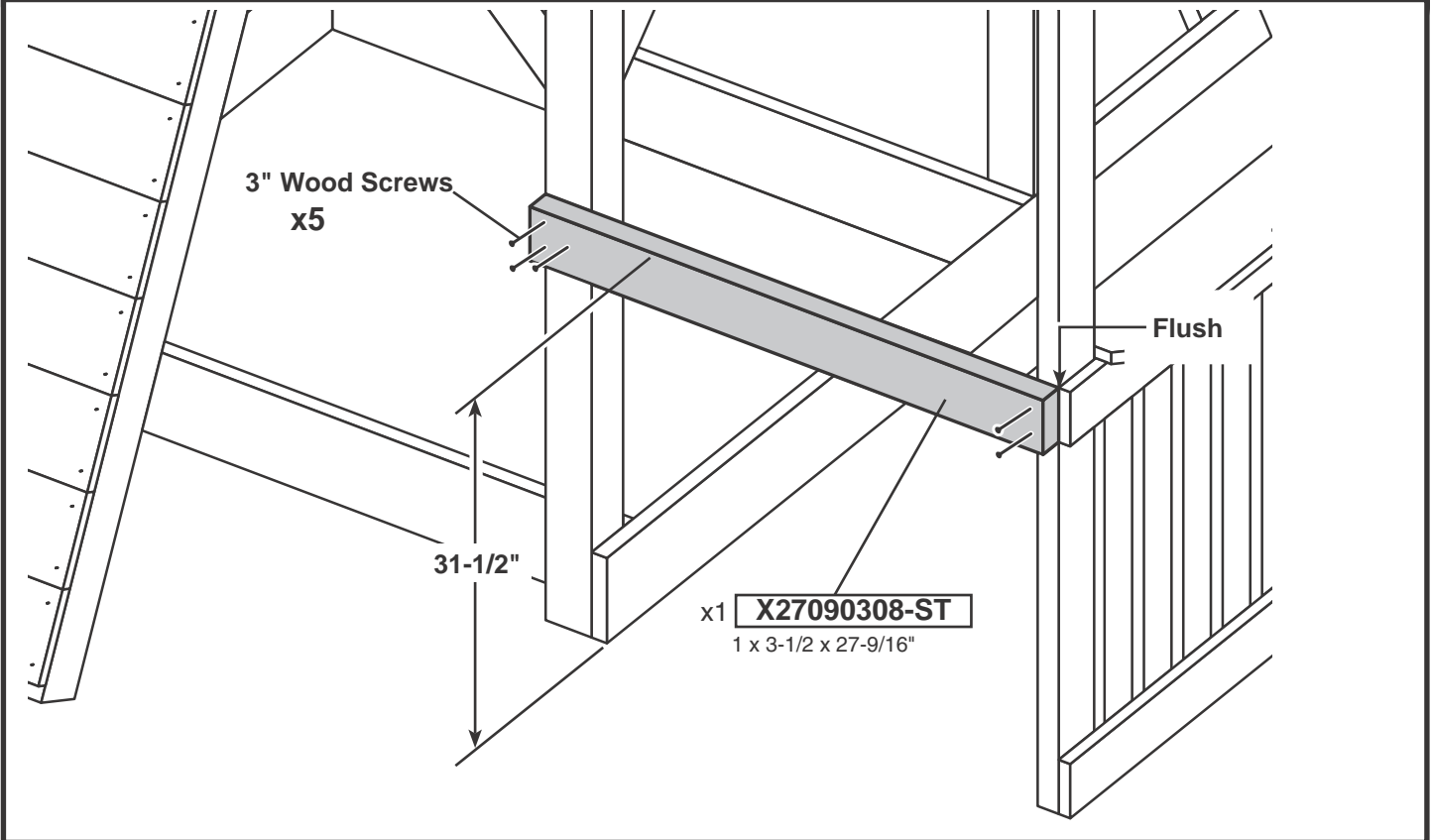
MOUNTING FRAME

1 x 3-1/2 x 27-9/16"
x1 **X27090308-ST**



TUBE SLIDE

TERRACE BRACE



TUBE SLIDE

ASSEMBLY AND INSTALLATION



REFER TO THE TUBE SLIDE MANUAL FOR STEPS TO ASSEMBLE AND ATTACH THE TUBE SLIDE AND TUBE SLIDE SUPPORTS TO THE PLAY SET.

AFTER ASSEMBLING AND MOUNTING THE TUBE SLIDE, BE SURE TO FOLLOW INSTRUCTIONS TO APPLY SURFACING MATERIAL UNDER THE SLIDE.

WARRANTY

Backyard Play Systems warrants the following:

1. All wood components have a Limited Five Year Warranty.
2. All non-wood components* have a three year Limited Warranty.
*Ropes carry a one year Limited Warranty.
3. Installation labor has a three year Limited Warranty applicable on playsets installed by Backyard Play Systems. Labor warranty does NOT apply to Do-It-Yourself playset kits or kits installed by a third party.

Backyard Play Systems will repair, replace or pay for the affected part at our discretion. In no event shall Backyard Play Systems pay the cost of labor or installation or any other costs related thereto.

Non-residential use of the system is prohibited and will void this warranty as the system is designed for residential use only.

Conditions

The warranty is effective only when:

1. The unit has been erected in accordance with the assembly instructions.
2. The unit has been regularly and properly maintained and inspected.
3. The failure occurs when the unit is owned by the original purchaser.
4. This warranty is non-transferable
5. Backyard Play Systems has received a copy of your original proof of purchase with any claims in writing.
6. Backyard Play Systems has had reasonable opportunity during the sixty (60) days following the receipt of notification to inspect and verify the failure prior to commencement of any repair work.
7. "Significant color changes" to wood components is at the discretion of Backyard Products and require proof in the form of photographs or inspection by Backyard Play Systems.

Wooden components may have imperfections such as checks and knots. These are natural blemishes and imperfections which are inherent to wood. The imperfections not resulting in structural failure are not covered under this warranty.

Requirements

To validate your warranty it is necessary to fill out and mail in the enclosed warranty card. And also to maintain and inspect your playset regularly. Regularly is defined as once per start and end of season.

Claim Procedure

To make a claim under this warranty, you can either call 1-866-890-2211 or prepare a letter. Please have ready the information below when you call or include the information in writing:

1. The model and size of the product.
2. A list of the part(s) for which the claim is made.
3. Proof of purchase of the Backyard Play Systems item, as shown on the original invoice.
4. Run Code, as listed on the enclosed warranty card.

Mail the above information to:

Backyard Play Systems
Attn: Customer Service
1000 Ternes Dr.
Monroe, MI 48162

WARRANTY

Please feel free to call our Consumer Help Line Toll Free

1-866-890-2211

April through October M - F 8:00 AM to 6:00 PM EST

Saturday 8:30 AM to 4:30 PM EST

November through March M - F 8:00 AM to 5:00 PM EST

No warranty is offered on the following: (1) equipment subject to abuse, negligence, improper installation, vandalism, acts of God, unauthorized alteration or attachment to equipment other than our own: or (2) equipment subjected to improper use, service or repair by customer or any third party.

To the maximum extent permitted by law, this warranty and the remedies set forth herein are exclusive and expressly in lieu of all other warranties, expressed or implied, including warranties of merchantability or fitness for a particular purpose. If Backyard Play Systems cannot disclaim or exclude implied warranties under applicable law, then to the extent possible any claims under any such implied warranties shall expire on expiration of the applicable warranty period. Some states do not allow limitations on how long an implied warranty lasts, so the above limitation may or may not apply to you. Backyard Play Systems does not assume, or authorize any person to assume for us, any other liability in connection with the sale of our products.

To the maximum extent of the law, Backyard Play Systems assumes no responsibility for incidental or consequential damages which may arise from the purchase or use of our playset or equipment. Some states do not allow the exclusion or limitation of incidental or consequential damages, so the above limitation or exclusion may not apply to you.

If any provision of this limited warranty is invalid, void or unenforceable in any instance or respect, the unenforceable provision will be severed and reformed to effect the intent of this limited warranty to the maximum extent possible, and the remaining provisions shall continue in full force and effect and shall be enforced to the full extent permitted by law.

This warranty gives you specific legal rights, and you may also have other rights which vary from state to state.

- WARRANTY TERMS MAY VARY OUTSIDE THE U.S.A.**
- This manual is your warranty certificate. Please retain your original proof of purchase and this manual for any warranty claims.