

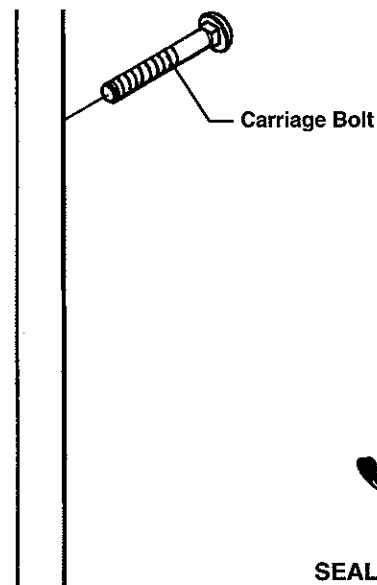
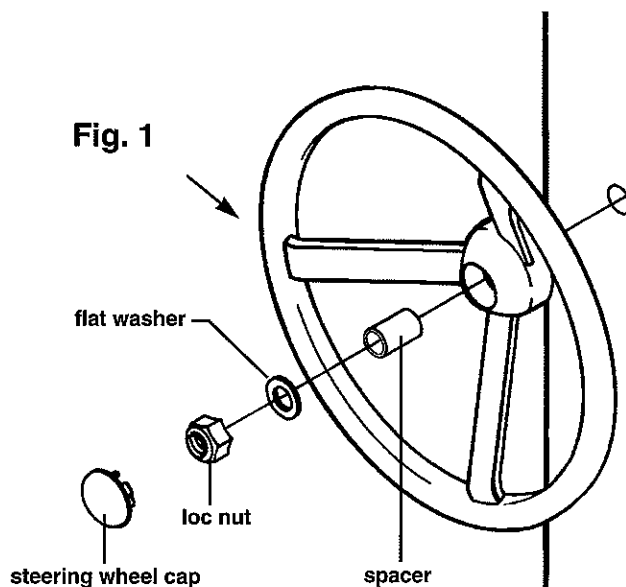
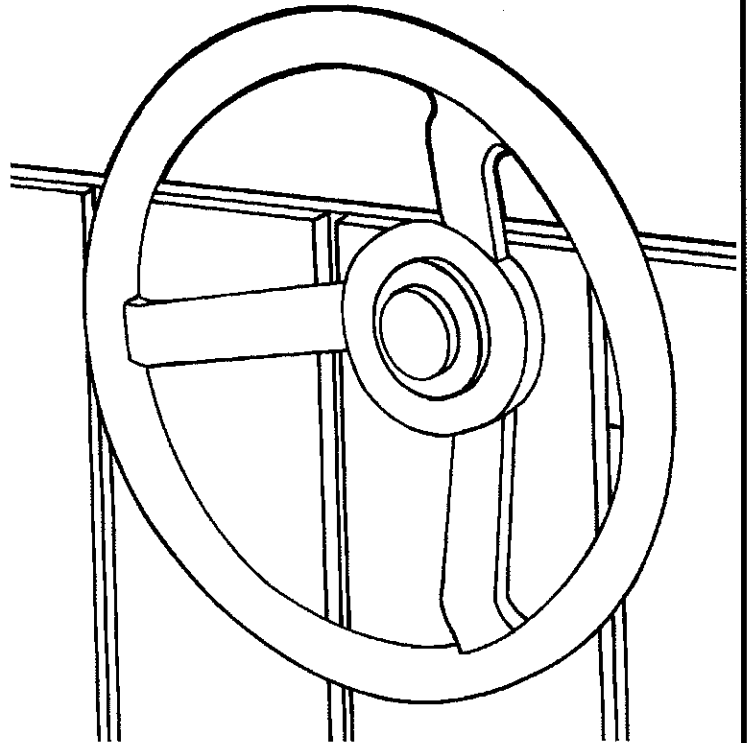
# Swing-N-Slide® Steering Wheel™

## KIT INCLUDES:

Qty.	Description
1	5/16" x 3" Carriage Bolt
1	5/16" Loc Nut
1	5/16" Flat Washer
1	Spacer
1	Steering Wheel Cap
1	Steering Wheel

## INSTRUCTIONS

1. Choose a desired location for the steering wheel and drill a 3/8" diameter hole through the lumber. **NOTE:** *If lumber is greater than 2" in depth, you will need to counterbore the hole appropriately.*
2. Mount steering wheel to climbing unit as indicated in Fig. 1.
3. Snap steering wheel cap into place (Fig. 1).



SEAL OF APPROVAL